

Mitsubishi PLC Related Software

SW4IVD-GPPAE	490
MELSEC MEDOC	490
GX Developer	491
GPP-LLT	494
FX-WIN	495
Alpha VLS	496
Profimap	497
SW3NIW-GOT800	497
GOT900SW	498
FXDUWIN	499
E-Designer	500
MELDDE	501
CSKP	502
OLEX	502
XMOP	502



PLC Related Software

PLC Programming Software (MS-DOS Based)

SW4IVD-GPPAE

SW4IVD-GPPAE is an MS-DOS based software package that emulates the discontinued CPM based GPP/PHP programming units. SW4IVD-GPPAE supports the AnS, AnN and AnA Series PLCs. An SC09 programming cable is required for communication from the serial port of the PC to the programming port of the PLC.

Part Number	Description
SW4IVD-GPPAE	Single user license – can be used on 1 computer at a time <input type="checkbox"/> Includes 1 set of 3.5" floppy disks <input type="checkbox"/> Includes Manuals IB(NA)66855, IB(NA)66856 and IB(NA)66587

SW4IVD-GPPAE UPGRADE

The SW4IVD-GPPAE upgrade plan provides customers who own older versions of SW4IVD-GPPAE to upgrade to the most current version. Only customers who own a previous version of SW4IVD-GPPAE will be able to order the upgrade product. All upgrade orders are verified before processing to verify ownership and registration.

Part Number	Description
SW4IVD-GPPAE-U	Single user license – can be used on 1 computer at a time <input type="checkbox"/> Includes 1 set of 3.5" floppy disks. <input type="checkbox"/> Includes Manuals IB(NA)66855, IB(NA)66856 and IB(NA)66587

MELSEC MEDOC

MELSEC MEDOC is an MS-DOS based software package that supports both the FX and A Series PLC. Supports: FX0/FX0s, FX0N, FX, FX2c, FX2N, A0J2, A1, A1S, A1S-S1, A1S(J)H, A2, A2S, A2S-S1, A2SH, A2SH-S1, A2C, A3, A2A, A2A-S1, A2AS, A2AS-S1, A2AS-S30, A3A, A2U, A2U-S1, A2US-S30, A2USH-S1 and A3U. An SC09 programming cable is required for communication from the serial port of the PC to the programming port of the PLC.

Part Number	Description
MELMSW-A-1	Single user license – can be used on 1 computer at a time <input type="checkbox"/> Includes 1 set of 3.5" floppy disks <input type="checkbox"/> Includes 1 MELSEC MEDOC Manual (M01000)/1 FX Programming Manual JY992D48301
MELMSW-A-5	5 user license – can be used on up to 5 computers at a time <input type="checkbox"/> Includes 1 set of 3.5" floppy disks <input type="checkbox"/> Includes 1 MELSEC MEDOC Manual (M01000)/1 FX Programming Manual JY992D48301
MELMSW-A-10	10 user license – can be used on up to 10 computers at a time <input type="checkbox"/> Includes 1 set of 3.5" floppy disks <input type="checkbox"/> Includes 1 MELSEC MEDOC Manual (M01000)/1 FX Programming Manual JY992D48301
MELMSW-A-25	25 user license – can be used on up to 25 computers at a time <input type="checkbox"/> Includes 1 set of 3.5" floppy disks <input type="checkbox"/> Includes 1 MELSEC MEDOC Manual (M01000)/1 FX Programming Manual JY992D48301
MELMSW-A-50	50 user license – can be used on up to 50 computers at a time <input type="checkbox"/> Includes 1 set of 3.5" floppy disks <input type="checkbox"/> Includes 1 MELSEC MEDOC Manual (M01000)/1 FX Programming Manual JY992D48301

MELSEC MEDOC UPGRADE

The MELSEC MEDOC upgrade plan provides customers who own older versions of MELSEC MEDOC to upgrade to the most current version. Only customers who own a previous version of MELSEC MEDOC will be able to order the upgrade product. All upgrade orders are verified before processing to verify ownership and registration.

Part Number	Description
MELMSW-A-1U	Single user license – can be used on 1 computer at a time <input type="checkbox"/> Includes 1 set of 3.5" floppy disks <input type="checkbox"/> Includes 1 MELSEC MEDOC Manual (M01000)/1 FX Programming Manual JY992D48301
MELMSW-A-5U	5 user license – can be used on up to 5 computers at a time <input type="checkbox"/> Includes 1 set of 3.5" floppy disks <input type="checkbox"/> Includes 1 MELSEC MEDOC Manual (M01000)/1 FX Programming Manual JY992D48301
MELMSW-A-10U	10 user license – can be used on up to 10 computers at a time <input type="checkbox"/> Includes 1 set of 3.5" floppy disks <input type="checkbox"/> Includes 1 MELSEC MEDOC Manual (M01000)/1 FX Programming Manual JY992D48301
MELMSW-A-25U	25 user license – can be used on up to 25 computers at a time <input type="checkbox"/> Includes 1 set of 3.5" floppy disks <input type="checkbox"/> Includes 1 MELSEC MEDOC Manual (M01000)/1 FX Programming Manual JY992D48301
MELMSW-A-50U	50 user license – can be used on 1 computer at a time <input type="checkbox"/> Includes 1 set of 3.5" floppy disks <input type="checkbox"/> Includes 1 MELSEC MEDOC Manual (M01000)/1 FX Programming Manual JY992D48301

PLC Programming Software (Windows Based)

GX Developer

GX Developer (GX-DEV) is Windows based programming package that supports the full line of Mitsubishi PLCs. GX-DEV has support for the following PLCs: FX0(S), FX0N, FX1, FX1S/1N, FXU/FX2C, FX2N(C), A0J2H, A1FX, A1S(S1), A1SJ, A1SH, A1SJH, A1N, A2C, A2CJ, A2N(S1), A2S(S1), A2SH(S1), A3N, A2A(S1), A3A, A2U(S1), A2US(S1), A2AS(S1), A2AS-S30, A2AS-S60, A2USH-S1, A3U, A4U, Q2A, Q2AS(H), Q2AS1, Q2AS(H)S1, Q3A, Q4A, Q4AR, A171SH, A172SH and A273UH(S3).

GX-DEV is capable of communicating to a Mitsubishi PLC by means of the programming port, Ethernet, modem, and Mitsubishi networks (including MelsecNet/10 and CC-Link). For connecting to the PLC front port, the SC09 programming cable must be purchased separately.

Part Number	Description
GX-DEV-C1	Single user license – can be used on 1 computer at a time <input type="checkbox"/> Includes 1 CD containing both software and electronic manuals <input type="checkbox"/> Includes Startup Manual IB(NA)0800030
GX-DEV-C5	5 user license – can be used on up to 5 computers at a time <input type="checkbox"/> Includes 1 CD containing both software and electronic manuals <input type="checkbox"/> Includes Startup Manual IB(NA)0800030
GX-DEV-C10	10 user license – can be used on up to 10 computers at a time <input type="checkbox"/> Includes 1 CD containing both software and electronic manuals <input type="checkbox"/> Includes Startup Manual IB(NA)0800030
GX-DEV-C25	25 user license – can be used on up to 25 computers at a time <input type="checkbox"/> Includes 1 CD containing both software and electronic manuals <input type="checkbox"/> Includes Startup Manual IB(NA)0800030
GX-DEV-C50	50 user license – can be used on up to 50 computers at a time <input type="checkbox"/> Includes 1 CD containing both software and electronic manuals <input type="checkbox"/> Includes Startup Manual IB(NA)0800030



PLC Related Software • GX Developer

GX Developer UPGRADE

The GX Developer (GX-DEV) upgrade plan provides customers who own older versions of GX-DEV upgrade to the most current version. Only customers who own a previous version of GX-DEV will be able to order the upgrade product. All upgrade orders are verified before processing to verify ownership and registration.

Part Number	Description
GX-DEV-C1U	Single user license – can be used on 1 computer at a time <input type="checkbox"/> Includes 1 CD containing both software and electronic manuals <input type="checkbox"/> Includes Startup Manual IB(NA)0800030
GX-DEV-C5U	5 user license – can be used on up to 5 computers at a time <input type="checkbox"/> Includes 1 CD containing both software and electronic manuals <input type="checkbox"/> Includes Startup Manual IB(NA)0800030
GX-DEV-C10U	10 user license – can be used on up to 10 computers at a time <input type="checkbox"/> Includes 1 CD containing both software and electronic manuals <input type="checkbox"/> Includes Startup Manual IB(NA)0800030
GX-DEV-C25U	25 user license – can be used on up to 25 computers at a time <input type="checkbox"/> Includes 1 CD containing both software and electronic manuals <input type="checkbox"/> Includes Startup Manual IB(NA)0800030
GX-DEV-C50U	50 user license – can be used on up to 50 computers at a time <input type="checkbox"/> Includes 1 CD containing both software and electronic manuals <input type="checkbox"/> Includes Startup Manual IB(NA)0800030

GX Developer for FX

As an alternative for FX PLC users, GX Developer FX (GX-DEV-FX) is a scaled down version of GX-DEV supporting only the FX Series PLCs. GX-DEV-FX is 100% compatible with the full blown version of GX-DEV and files can be shared between the two (limited to FX PLC programs). Customers who have already purchased GX-DEV do not need GX-DEV-FX as all the functionality for the FX PLCs is the same in both packages.

Part Number	Description
GX-DEV-FX-C1	Single user license – can be used on 1 computer at a time <input type="checkbox"/> Includes 1 CD containing both software and electronic manuals <input type="checkbox"/> Includes Startup Manual IB(NA)0800030
GX-DEV-FX-C5	5 user license – can be used on up to 5 computers at a time <input type="checkbox"/> Includes 1 CD containing both software and electronic manuals <input type="checkbox"/> Includes Startup Manual IB(NA)0800030
GX-DEV-FX-C10	10 user license – can be used on up to 10 computers at a time <input type="checkbox"/> Includes 1 CD containing both software and electronic manuals <input type="checkbox"/> Includes Startup Manual IB(NA)0800030
GX-DEV-FX-C25	25 user license – can be used on up to 25 computers at a time <input type="checkbox"/> Includes 1 CD containing both software and electronic manuals <input type="checkbox"/> Includes Startup Manual IB(NA)0800030
GX-DEV-FX-C50	50 user license – can be used on up to 50 computers at a time <input type="checkbox"/> Includes 1 CD containing both software and electronic manuals <input type="checkbox"/> Includes Startup Manual IB(NA)0800030

GX Developer FX UPGRADE

The GX Developer FX (GX-DEV-FX) upgrade plan provides customers who own older versions of GX-DEV-FX upgrade to the most current version. Only customers who own a previous version of GX-DEV-FX will be able to order the upgrade product. All upgrade orders are verified before processing to verify ownership and registration.

Part Number	Description
GX-DEV-FX-C1U	Single user license – can be used on 1 computer at a time <input type="checkbox"/> Includes 1 CD containing both software and electronic manuals <input type="checkbox"/> Includes Startup Manual IB(NA)0800030
GX-DEV-FX-C5U	5 user license – can be used on up to 5 computers at a time <input type="checkbox"/> Includes 1 CD containing both software and electronic manuals. <input type="checkbox"/> Includes Startup Manual IB(NA)0800030
GX-DEV-FX-C10U	10 user license – can be used on up to 10 computers at a time <input type="checkbox"/> Includes 1 CD containing both software and electronic manuals <input type="checkbox"/> Includes Startup Manual IB(NA)0800030
GX-DEV-FX-C25U	25 user license – can be used on up to 25 computers at a time <input type="checkbox"/> Includes 1 CD containing both software and electronic manuals <input type="checkbox"/> Includes Startup Manual IB(NA)0800030
GX-DEV-FX-C50U	50 user license – can be used on up to 50 computers at a time <input type="checkbox"/> Includes 1 CD containing both software and electronic manuals. <input type="checkbox"/> Includes Startup Manual IB(NA)0800030

All manuals come free of charge on the CD in Acrobat Reader format. A free copy of the Acrobat Reader program is also included on the CD. If hard copies of the manuals are desired, please refer to the part numbers below.

Part Number	Description
IB(NA)0800030	GX-DEV / GPP-LLT Startup Manual (Supplied with GX-DEV & GPP-LLT)
IB(NA)0800031	GX-DEV Operating Manual
IB(NA)0800053	GX-DEV SFC Operating Manual
IB(NA)0800117	MELSAP-L Operating Manual



PLC Related Software • GPP-LLT

GPP-LLT

As an option to GX-DEV/GX-DEV-FX, users can add the Ladder Logic Test (LLT) program, which allows simulation of program operation without using a PLC. This is a great way for a programmer to test the functionality of his program, before operating it on a PLC. Machine responses can be simulated and one can use the normal ladder monitor window in GX-DEV/GX-DEV-FX to track execution. This is an outstanding feature that allows program debugging to begin before a control system is wired to the machine. Start-up becomes focused on mechanical issues and tuning, rather than on code errors. No connection cables are required for use of this program. GX-DEV/GX-DEV-FX must be installed prior to installing GPP-LLT.

Part Number	Description
GPP-LLT-C1	Single user license – can be used on 1 computer at a time <input type="checkbox"/> Includes 1 CD containing both software and electronic manuals <input type="checkbox"/> Includes Startup Manual IB(NA)0800030
GPP-LLT-C5	5 user license – can be used on up to 5 computers at a time <input type="checkbox"/> Includes 1 CD containing both software and electronic manuals <input type="checkbox"/> Includes Startup Manual IB(NA)0800030
GPP-LLT-C10	10 user license – can be used on up to 10 computers at a time <input type="checkbox"/> Includes 1 CD containing both software and electronic manuals <input type="checkbox"/> Includes Startup Manual IB(NA)0800030
GPP-LLT-C25	25 user license – can be used on up to 25 computers at a time <input type="checkbox"/> Includes 1 CD containing both software and electronic manuals <input type="checkbox"/> Includes Startup Manual IB(NA)0800030
GPP-LLT-C50	50 user license – can be used on up to 50 computers at a time <input type="checkbox"/> Includes 1 CD containing both software and electronic manuals <input type="checkbox"/> Includes Startup Manual IB(NA)0800030

GPP-LLT UPGRADE

The GPP-LLT upgrade plan provides customers who own older versions of GPP-LLT upgrade to the most current version. Only customers who own a previous version of GPP-LLT will be able to order the upgrade product. All upgrade orders are verified before processing to verify ownership and registration.

Part Number	Description
GPP-LLT-C1U	Single user license – can be used on 1 computer at a time <input type="checkbox"/> Includes 1 CD containing both software and electronic manuals <input type="checkbox"/> Includes Startup Manual IB(NA)0800030
GPP-WIN-C5U	5 user license – can be used on up to 5 computers at a time <input type="checkbox"/> Includes 1 CD containing both software and electronic manuals <input type="checkbox"/> Includes Startup Manual IB(NA)0800030
GPP-LLT-C10U	10 user license – can be used on up to 10 computers at a time <input type="checkbox"/> Includes 1 CD containing both software and electronic manuals <input type="checkbox"/> Includes Startup Manual IB(NA)0800030
GPP-LLT-C25U	25 user license – can be used on up to 25 computers at a time <input type="checkbox"/> Includes 1 CD containing both software and electronic manuals <input type="checkbox"/> Includes Startup Manual IB(NA)0800030
GPP-LLT-C50U	50 user license – can be used on up to 50 computers at a time <input type="checkbox"/> Includes 1 CD containing both software and electronic manuals <input type="checkbox"/> Includes Startup Manual IB(NA)0800030

All manuals come free of charge on the CD in Acrobat Reader format. A free copy of the Acrobat Reader program is also included on the CD. If hard copies of the manuals are desired, please refer to the part numbers below.

Part Number	Description
IB(NA)0800030	GX-DEV / GPP-LLT Startup Manual (Supplied with GPP-WIN & GPP-LLT)
IB(NA)0800052	GPP-LLT Operating Manual

FX-WIN

FX-WIN is a Windows based programming package designed to support the FX Series family. FX-WIN has support for the following FX PLCs: FX0/FX0s, FX0N, FX(FX2/FX2c) and FX2N/FX2Nc. An SC09 is required to communicate to the PLC.

Part Number	Description
FX-WIN-1	Single user license – can be used on 1 computer at a time <input type="checkbox"/> Includes 1 CD containing both software and electronic manuals <input type="checkbox"/> Electronic manuals include JY992D66501 & JY992D48301
FX-WIN-5	5 user license – can be used on up to 5 computers at a time <input type="checkbox"/> Includes 1 CD containing both software and electronic manuals <input type="checkbox"/> Electronic manuals include JY992D66501 & JY992D48301
FX-WIN-10	10 user license – can be used on up to 10 computers at a time <input type="checkbox"/> Includes 1 CD containing both software and electronic manuals <input type="checkbox"/> Electronic manuals include JY992D66501 & JY992D48301
FX-WIN-25	25 user license – can be used on up to 25 computers at a time <input type="checkbox"/> Includes 1 CD containing both software and electronic manuals <input type="checkbox"/> Electronic manuals include JY992D66501 & JY992D48301
FX-WIN-50	50 user license – can be used on up to 50 computers at a time <input type="checkbox"/> Includes 1 CD containing both software and electronic manuals <input type="checkbox"/> Electronic manuals include JY992D66501 & JY992D48301

FX-WIN UPGRADE

The FX-WIN upgrade plan provides customers who own older versions of FX-WIN upgrade to the most current version. Only customers who own a previous version of FX-WIN will be able to order the upgrade product. All upgrade orders are verified before processing to verify ownership and registration.

Part Number	Description
FX-WIN-1U	Single user license – can be used on 1 computer at a time <input type="checkbox"/> Includes 1 CD containing both software and electronic manuals <input type="checkbox"/> Electronic manuals include JY992D66501 & JY992D48301
FX-WIN-5U	5 user license – can be used on up to 5 computers at a time <input type="checkbox"/> Includes 1 CD containing both software and electronic manuals <input type="checkbox"/> Electronic manuals include JY992D66501 & JY992D48301
FX-WIN-10U	10 user license – can be used on up to 10 computers at a time <input type="checkbox"/> Includes 1 CD containing both software and electronic manuals <input type="checkbox"/> Electronic manuals include JY992D66501 & JY992D48301
FX-WIN-25U	25 user license – can be used on up to 25 computers at a time <input type="checkbox"/> Includes 1 CD containing both software and electronic manuals <input type="checkbox"/> Electronic manuals include JY992D66501 & JY992D48301
FX-WIN-50U	50 user license – can be used on up to 50 computers at a time <input type="checkbox"/> Includes 1 CD containing both software and electronic manuals <input type="checkbox"/> Electronic manuals include JY992D66501 & JY992D48301

All manuals come free of charge on the CD in Acrobat Reader format. A free copy of the Acrobat Reader program is also included on the CD. If hard copies of the manuals are desired, please refer to the part numbers below.

Part Number	Description
JY992D66501	FX-WIN Software Manual
JY992D48301	The FX Series Of Programmable Controllers Programming Manual



PLC Related Software • Alpha VLS

Alpha VLS Software

The Alpha VLS software is a Windows based programming package designed to support the full line of Alpha controllers. The Alpha programming cable (AL-232CAB) is required to connect the PC to the Alpha controller.

Part Number	Description
ALPHA-WIN-1	Single user license – can be used on 1 computer at a time <input type="checkbox"/> Includes 1 CD containing both software and electronic manual JY992D74001
ALPHA-WIN-5	5 user license – can be used on up to 5 computers at a time <input type="checkbox"/> Includes 1 CD containing both software and electronic manual JY992D74001
ALPHA-WIN-10	10 user license – can be used on up to 10 computers at a time <input type="checkbox"/> Includes 1 CD containing both software and electronic manual JY992D74001
ALPHA-WIN-25	25 user license – can be used on up to 25 computers at a time <input type="checkbox"/> Includes 1 CD containing both software and electronic manual JY992D74001
ALPHA-WIN-50	50 user license – can be used on up to 50 computers at a time <input type="checkbox"/> Includes 1 CD containing both software and electronic manual JY992D74001

Alpha VLS Software UPGRADE

The Alpha VLS upgrade plan provides customers who own older versions of Alpha VLS upgrade to the most current version. Only customers who own a previous version of Alpha VLS will be able to order the upgrade product. All upgrade orders are verified before processing to verify ownership and registration.

Part Number	Description
ALPHA-WIN-1U	Single user license – can be used on 1 computer at a time <input type="checkbox"/> Includes 1 CD containing both software and electronic manual JY992D74001
ALPHA-WIN-5U	5 user license – can be used on up to 5 computers at a time <input type="checkbox"/> Includes 1 CD containing both software and electronic manual JY992D74001
ALPHA-WIN-10U	10 user license – can be used on up to 10 computers at a time <input type="checkbox"/> Includes 1 CD containing both software and electronic manual JY992D74001
ALPHA-WIN-25U	25 user license – can be used on up to 25 computers at a time <input type="checkbox"/> Includes 1 CD containing both software and electronic manual JY992D74001
ALPHA-WIN-50U	50 user license – can be used on up to 50 computers at a time <input type="checkbox"/> Includes 1 CD containing both software and electronic manual JY992D74001

All manuals come free of charge on the CD in Acrobat Reader format. A free copy of the Acrobat Reader program is also included on the CD. If hard copies of the manuals are desired, please refer to the part numbers below.

Part Number	Description
JY992D74001	Alpha VLS Software Manual

Profibus Configuration Software

Profimap

Profimap is a Windows based programming package allowing the user to graphically design and configure a Profibus network. Profimap then transfers the configuration information to Mitsubishi Profibus modules A71PB92D, A1SJ71PB92D, A71PB96F or A1SJPB96F. The programming cable is included with every package of Profibus software.

Part Number	Description
Profimap-1	Single user license – can be used on 1 computer at a time <input type="checkbox"/> Includes 1 set of 3.5" floppy disks and software users manual <input type="checkbox"/> Also includes 1 programming cable
Profimap-5	5 user license – can be used on up to 5 computers at a time <input type="checkbox"/> Includes 1 set of 3.5" floppy disks and software users manual <input type="checkbox"/> Also includes 1 programming cable
Profimap-10	10 user license – can be used on up to 10 computers at a time <input type="checkbox"/> Includes 1 set of 3.5" floppy disks and software users manual <input type="checkbox"/> Also includes 1 programming cable
Profimap-25	25 user license – can be used on up to 25 computers at a time <input type="checkbox"/> Includes 1 set of 3.5" floppy disks and software users manual <input type="checkbox"/> Also includes 1 programming cable

Operator Interface Programming Software

SW3NIW-GOT800

SW3NIW-GOT800 is a Windows based programming package allowing users to design and create screens for the 800 series GOTs. A programming cable is required and is sold separately. For 870 GOTs use cables AC30R2 (25pin to 25pin) or AC30R2-9P (9pin to 25pin). For the 850 Got use cable AC30R-9SS (9pin to 9pin).

Part Number	Description
SW3NIW-GOT800P-SET	Single user license – can be used on 1 computer at a time <input type="checkbox"/> Includes 1 CD containing both software and electronic manuals

SW3NIW-GOT800 UPGRADE

The SW3NIW-GOT800 upgrade plan provides customers who own older versions of SW3NIW-GOT800 upgrade to the most current version. Only customers who own a previous version of SW3NIW-GOT800 will be able to order the upgrade product. All upgrade orders are verified before processing to verify ownership and registration.

Part Number	Description
SW3NIW-GOT800P-1U	Single user license – can be used on 1 computer at a time <input type="checkbox"/> Includes 1 CD containing both software and electronic manuals

All manuals come free of charge on the CD in Acrobat Reader format. A free copy of the Acrobat Reader program is also included on the CD. If hard copies of the manuals are desired, please refer to the part numbers below.

Part Number	Description
IB(NA)66791	Software Startup Manual
IB(NA)66792	Software Introductory Manual
IB(NA)66793	Monitor Screen Creation Manual
IB(NA)66794	Data Transmission / Debugging / Document Creation Manual
IB(NA)66795	Report Function Manual
IB(NA)66796	Expanded Functions Manual
IB(NA)66797	Other PLC / Bar-code Connection System Manual



PLC Related Software • GOT900SW

GOT900SW

GOT900SW is a Windows based programming package allowing users to design interface screens for the F940 GOT and 900 series GOT. Previous users of the 800 Series GOT can use their existing screen designs by using the converter program supplied with GOT900SW. The GOT900SW requires a programming cable to communicate to the HMI (AC30R2-9P 25-to-9pin or the AC30R2-9SS 9-to-9pin).

Part Number	Description
GOT900SW-C1	Single user license – can be used on 1 computer at a time <input type="checkbox"/> Includes 1 CD containing both software and electronic manuals
GOT900SW-C5	5 user license – can be used on up to 5 computers at a time <input type="checkbox"/> Includes 1 CD containing both software and electronic manuals
GOT900SW-C10	10 user license – can be used on up to 10 computers at a time <input type="checkbox"/> Includes 1 CD containing both software and electronic manuals
GOT900SW-C25	25 user license – can be used on up to 25 computers at a time <input type="checkbox"/> Includes 1 CD containing both software and electronic manuals
GOT900SW-50	50 user license – can be used on up to 50 computers at a time <input type="checkbox"/> Includes 1 CD containing both software and electronic manuals

GOT900SW UPGRADE

The GOT900SW upgrade plan provides customers who own older versions of GOT900SW upgrade to the most current version. Only customers who own a previous version of GOT900SW will be able to order the upgrade product. All upgrade orders are verified before processing to verify ownership and registration.

Part Number	Description
GOT900SW-C1U	Single user license – can be used on 1 computer at a time <input type="checkbox"/> Includes 1 CD containing both software and electronic manuals
GOT900SW-C5U	5 user license – can be used on up to 5 computers at a time <input type="checkbox"/> Includes 1 CD containing both software and electronic manuals
GOT900SW-C10U	10 user license – can be used on up to 10 computers at a time <input type="checkbox"/> Includes 1 CD containing both software and electronic manuals
GOT900SW-C25U	25 user license – can be used on up to 25 computers at a time <input type="checkbox"/> Includes 1 CD containing both software and electronic manuals
GOT900SW-50U	50 user license – can be used on up to 50 computers at a time <input type="checkbox"/> Includes 1 CD containing both software and electronic manuals

All manuals come free of charge on the CD in Acrobat Reader format. A free copy of the Acrobat Reader program is also included on the CD. If hard copies of the manuals are desired, please refer to the part numbers below.

Part Number	Description
IB(NA)0800023	SW2D5C-GOTRE-PACK Operating Manual (GOT900SW Manual)
SH(NA)080013	GOT-A900 User's Manual (Connection System Manual)
SH(NA)080012	GOT-A900 Operating Manual (Extended – Option Functions Manual)
SH(NA)4005	A985GOT/A975GOT/A970GOT/A960GOT User's Manual
SH(NA)080018	A950GOT User's Manual

FXDUWIN

FXDUWIN is a Windows based programming package allowing users to design screens for the DU series HMIs and F940 GOT. HMIs supported include: FX-10DU, FX-25DU, FX-30DU, FX-40DU, FX-40DU-TK, FX-50DU-TK, FX-50DU-TKS, F940GOT-LWD and F940GOT-SWD. FXDUWIN requires communication cable FX-232CAB-1 to communicate to the HMI. This cable must be purchased separately.

Part Number	Description
FXDUWIN-C1	Single user license – can be used on 1 computer at a time <input type="checkbox"/> Includes 1 CD containing both software and electronic manuals
FXDUWIN-C5	5 user license – can be used on up to 5 computers at a time <input type="checkbox"/> Includes 1 CD containing both software and electronic manuals
FXDUWIN-C10	10 user license – can be used on up to 10 computers at a time <input type="checkbox"/> Includes 1 CD containing both software and electronic manuals
FXDUWIN-C25	25 user license – can be used on up to 25 computers at a time <input type="checkbox"/> Includes 1 CD containing both software and electronic manuals
FXDUWIN-C50	50 user license – can be used on up to 50 computers at a time <input type="checkbox"/> Includes 1 CD containing both software and electronic manuals

FXDUWIN UPGRADE

The FXDUWIN upgrade plan provides customers who own older versions of FXDUWIN upgrade to the most current version. Only customers who own a previous version of FXDUWIN will be able to order the upgrade product. All upgrade orders are verified before processing to verify ownership and registration.

Part Number	Description
FXDUWIN-C1U	Single user license – can be used on 1 computer at a time <input type="checkbox"/> Includes 1 CD containing both software and electronic manuals
FXDUWIN-C5U	5 user license – can be used on up to 5 computers at a time <input type="checkbox"/> Includes 1 CD containing both software and electronic manuals
FXDUWIN-C10U	10 user license – can be used on up to 10 computers at a time <input type="checkbox"/> Includes 1 CD containing both software and electronic manuals
FXDUWIN-C25U	25 user license – can be used on up to 25 computers at a time <input type="checkbox"/> Includes 1 CD containing both software and electronic manuals
FXDUWIN-C50U	50 user license – can be used on up to 50 computers at a time <input type="checkbox"/> Includes 1 CD containing both software and electronic manuals

All manuals come free of charge on the CD in Acrobat Reader format. A free copy of the Acrobat Reader program is also included on the CD. If hard copies of the manuals are desired, please refer to the part numbers below.

Part Number	Description
JY992D68301	FXDUWIN Operating Manual (Software Manual)



PLC Related Software • E-Designer

E-Designer

E-Designer (E-DES) is a Windows based programming package allowing users to design screens for the MTA and E Series OITs. OITs supported include: MTA 10, MTA 12, MTA 100, MTA 250, MTA G1, E50, E100, E150, E200, E300, E600, E700, E710, E900, E900VT and E910. Also included on the CD is the HMI Tools utility program and various manuals related to the MTA and E Series products. Refer to the HMI section for a detailed explanation of cables needed for programming each OIT.

Part Number	Description
E-DES-C1	Single user license – can be used on 1 computer at a time <input type="checkbox"/> Includes 1 CD containing both software and electronic manuals
E-DES-C5	5 user license – can be used on up to 5 computers at a time <input type="checkbox"/> Includes 1 CD containing both software and electronic manuals
E-DES-C10	10 user license – can be used on up to 10 computers at a time <input type="checkbox"/> Includes 1 CD containing both software and electronic manuals
E-DES-C25	25 user license – can be used on up to 25 computers at a time <input type="checkbox"/> Includes 1 CD containing both software and electronic manuals
E-DES-C50	50 user license – can be used on up to 50 computers at a time <input type="checkbox"/> Includes 1 CD containing both software and electronic manuals

E-Designer UPGRADE

The E-Designer (E-DES) upgrade plan provides customers who own older versions of E-DES upgrade to the most current version. Only customers who own a previous version of E-DES will be able to order the upgrade product. All upgrade orders are verified before processing to verify ownership and registration.

Part Number	Description
E-DES-C1U	Single user license – can be used on 1 computer at a time <input type="checkbox"/> Includes 1 CD containing both software and electronic manuals
E-DES-C5U	5 user license – can be used on up to 5 computers at a time <input type="checkbox"/> Includes 1 CD containing both software and electronic manuals
E-DES-C10U	10 user license – can be used on up to 10 computers at a time <input type="checkbox"/> Includes 1 CD containing both software and electronic manuals
E-DES-C25U	25 user license – can be used on up to 25 computers at a time <input type="checkbox"/> Includes 1 CD containing both software and electronic manuals
E-DES-C50U	50 user license – can be used on up to 50 computers at a time <input type="checkbox"/> Includes 1 CD containing both software and electronic manuals

All manuals come free of charge on the CD in Acrobat Reader format. A free copy of the Acrobat Reader program is also included on the CD. If hard copies of the manuals are desired, please refer to the part numbers below.

Part Number	Description
MA00351	Instruction manual for E-Series OIs and E-Designer.

DDE Server Software

MELDDE

MELDDE is a dynamic data exchange (DDE) package that provides a method for easily transferring data between one or more Windows applications. MELDDE can communicate to the FX and A Series PLCs by means of the PLC front port, the C24 serial port or Ethernet.

Part Number	Description
MELDDE32	Single user license – can be used on 1 computer at a time <input type="checkbox"/> Includes 1 set of 3.5" floppy disks and software users manual (MA-00026)
MELDDE32-5	5 user license – can be used on up to 5 computers at a time <input type="checkbox"/> Includes 1 set of 3.5" floppy disks and software users manual (MA-00026)
MELDDE32-10	10 user license – can be used on up to 10 computers at a time <input type="checkbox"/> Includes 1 set of 3.5" floppy disks and software users manual (MA-00026)
MELDDE32-25	25 user license – can be used on up to 25 computers at a time <input type="checkbox"/> Includes 1 set of 3.5" floppy disks and software users manual (MA-00026)
MELDDE32-50	50 user license – can be used on up to 50 computers at a time <input type="checkbox"/> Includes 1 set of 3.5" floppy disks and software users manual (MA-00026)

MELDDE UPGRADE

The MELDDE upgrade plan provides customers who own older versions of MELDDE upgrade to the most current version. Only customers who own a previous version of MELDDE will be able to order the upgrade product. All upgrade orders are verified before processing to verify ownership and registration.

Part Number	Description
MELDDE32-1U	Single user license – can be used on 1 computer at a time <input type="checkbox"/> Includes 1 set of 3.5" floppy disks and software users manual (MA-00026)
MELDDE32-5U	5 user license – can be used on up to 5 computers at a time <input type="checkbox"/> Includes 1 set of 3.5" floppy disks and software users manual (MA-00026)
MELDDE32-10U	10 user license – can be used on up to 10 computers at a time <input type="checkbox"/> Includes 1 set of 3.5" floppy disks and software users manual (MA-00026)
MELDDE32-25U	25 user license – can be used on up to 25 computers at a time <input type="checkbox"/> Includes 1 set of 3.5" floppy disks and software users manual (MA-00026)
MELDDE32-50U	50 user license – can be used on up to 50 computers at a time <input type="checkbox"/> Includes 1 set of 3.5" floppy disks and software users manual (MA-00026)

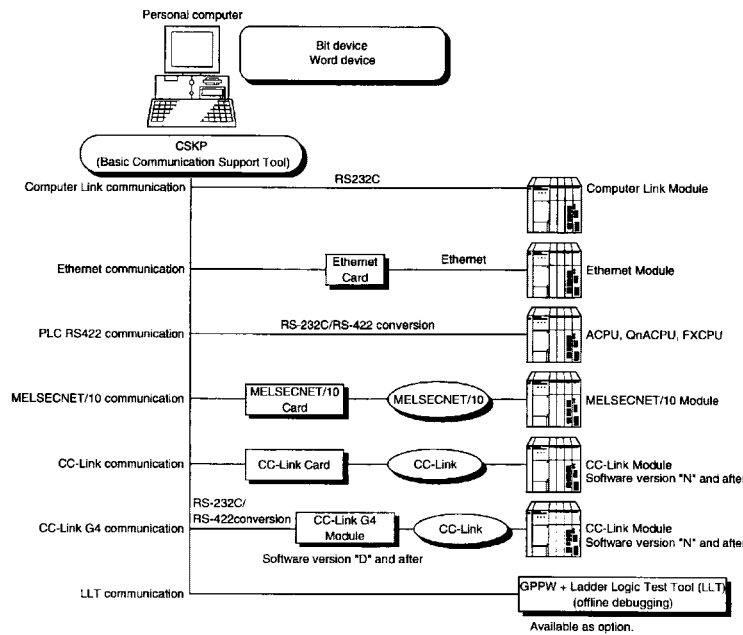


PLC Related Software • Communication

Communication Software

CSKP

CSKP is a communication software package allowing a user to interface from a PC to a Mitsubishi PLC over various protocols. Users can use the built in utility packages to monitor and change bit and word devices in the PLC. They can also create their own Visual Basic or C++ programs to send and receive PLC information by making calls to the CSKP data link library. CSKP supports the following communication protocols: CPU port, MELSECNET II/10, CC-Link, Ethernet, C24 computer link and can make use of GPP-LLT for offline debugging.



Part Number	Description
CSKP-E1	Single user license – can be used on 1 computer at a time <input type="checkbox"/> Includes 1 set of 3.5" floppy disks and software users manuals <input type="checkbox"/> Included Manuals: IB(NA)66888 and IB(NA)66889

OLEX

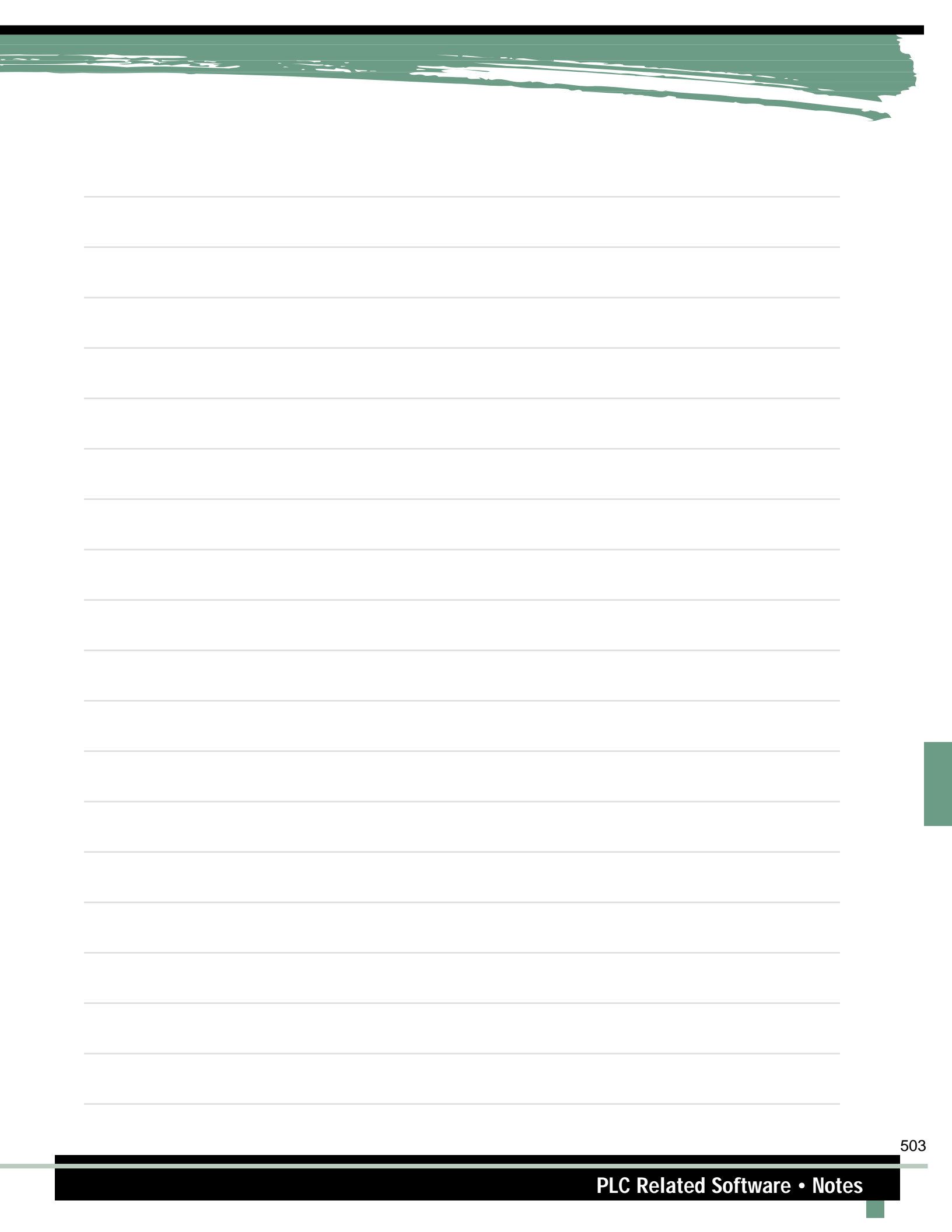
OLEX is an OLE for Excel add-on to CSKP that supports transparent communication of data between PLCs and PCs running Excel. OLEX functions can be used as Excel macros to create reports at timed intervals, alarm handling, device monitoring and other similar features. OLEX requires that CSKP be installed prior to installation.

Part Number	Description
OLEX-E1	Single user license – can be used on 1 computer at a time Includes 1 set of 3.5" floppy disks and software users manuals Included Manuals: IB(NA)66897

XMOP

XMOP is a monitoring tool enabling Visual Basic programmers to create monitoring applications on a PC. XMOP is supplied with 23 different custom controls, which can be used to create monitor screens, e.g. graphic display, numeric display, level display and trend graph. XMOP requires that CSKP be installed prior to installation.

Part Number	Description
XMOP-E1	Single user license – can be used on 1 computer at a time Includes 1 set of 3.5" floppy disks and software users manuals Included Manuals: IB(NA)66896



A series of horizontal lines spaced evenly down the page, providing a template for writing or drawing.



PLC Related Software • Notes

