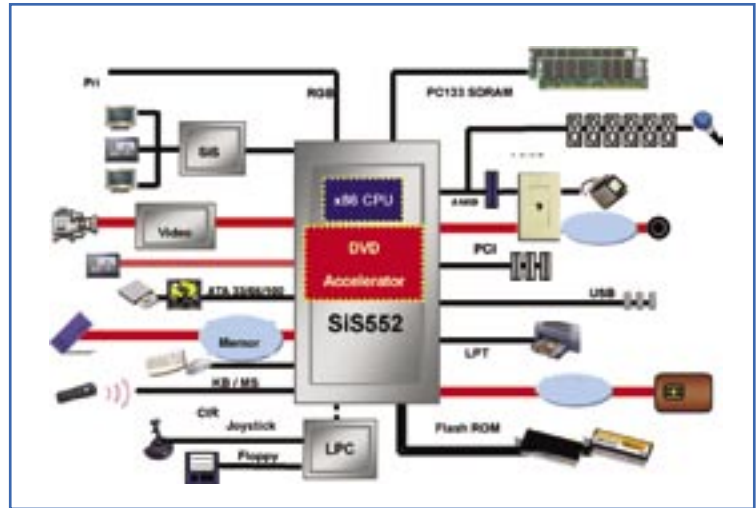
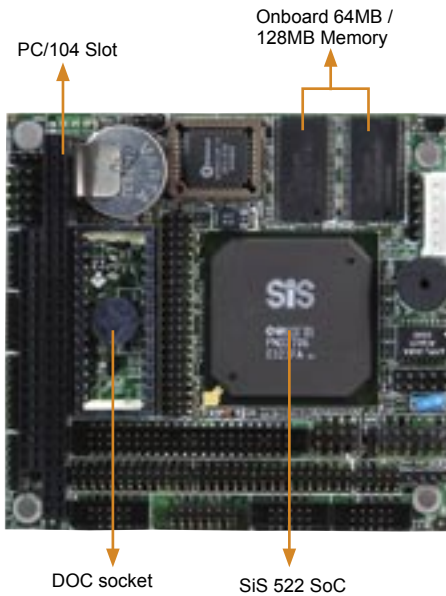


PM-1045

PC/104 SiS552 SBC with LCD/CRT VGA, Audio, LAN & on board SDRAM

SBC



SPECIFICATIONS

Features of SiS552

Integrated x86 / MMX Compatible CPU

- ◆ Superscalar Execution / Pipelined Floating Point Unit
- ◆ Three Superpipelined Integer Units
- ◆ CPU Speed up to 250MHz (LV family)

Integrated DRAM Controller

- ◆ Supports up to 2 DIMMs, 1GB, PC133SDRAM

PCI 2.2 Specification Compliant

- ◆ Supports up to 3 external PCI Masters

Fast PCI IDE Master/Slave Controller

- ◆ Supports Ultra DMA 33/66/100

Integrated Ultra-AGPTM VGA for Hardware2D / Video / Graphics Accelerators

- ◆ AGP 4X Compliant / Fully DirectX 8.0 Compliant
- ◆ Shared System Memory Area up to 128 MB
- ◆ 128-Bit 2D Engine with a Full Instruction Set Supports Advanced H/W DVD Accelerator

- ◆ CPU: Embedded SiS 552 x86 MMX compatible CPU
- ◆ System Memory: On board 64/128MB PC133 SDRAM
- ◆ Display: SiS552 embedded with Hardware 2D/Video/Graphics
- ◆ Accelerators
 - AGP 4X Compliant / Fully DirectX 8 Compliant
 - Supports Shared System Memory up to 128 MB
 - Resolution supports up to 1920 x1440 true colors
 - 18-bit TTL for LCD display
- SSD: 1 x DiskOnChip socket
- ◆ Audio: AC'97 CODEC
- ◆ Ethernet: 1 x 10/100Mbps RTL8100BL LAN controllers
- ◆ I/O:
 - 1 x RS-232 serial port
 - 1 x RS/232/422/485 serial ports
 - 1 x PS/2 connector for Keyboard/Mouse
 - 1 x LPT parallel port supports SPP/ECP/EPP Mode
 - 2 x USB 1.1
 - 2 x IDE ATA-100
 - 1 x Floppy
- ◆ WDT: Software programmable supports 1 ~ 255 sec system reset
- ◆ Digital I/O: TTL Level, 4 x inputs & 4 x outputs
- ◆ Power Source: Single +5V only
- ◆ Operation Temperature: 0~60°C
- ◆ Relative Humidity: 5~95%, non-condensing

ORDERING INFORMATION

◆ PM-1045-64MB

PC/104 SiS552 SBC with LCD/CRT VGA, Audio, LAN and on board 64MB SDRAM

◆ PM-1045-128MB

PC/104 SiS552 SBC with LCD/CRT VGA, Audio, LAN and on board 128MB SDRAM