

# Enclosed starters

## VARIO enclosed switch disconnectors for the North American market, conforming to UL and CSA standards



VC1 GUN



VC3 GUN



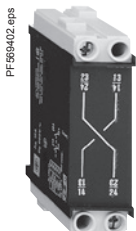
VC5 GUN



VZ 11



VZ 15



VZ 20

### Enclosed switch disconnectors for high performance applications

- 3-pole rotary switch disconnectors, 25 to 140 A, conforming to IEC 60947-4-1, IEC 60204, UL 508 and CSA 22.2 n° 14.
- Marking on operator  $\circ \downarrow$
- Padlockable operating handle (padlocks not included).
- NEMA type 1 and type 12 enclosures, IP 65 degree of protection, sealable and lockable.

#### 3-pole main and Emergency stop switch disconnectors <sup>(1)</sup>

Operator Handle	Front plate Dimensions	Rating		Standard power ratings of UL motors			Incorporated switch body	Possible attachments	Reference	Weight	
		IEC (lth)	UL	600 V	240 V	480 V					600 V
		A	A	HP	HP	HP					kg
Red, standard, padlockable with up to 3 padlocks (Ø 4 to Ø 8)	Yellow 60 x 60	32	20	5	10	10	V1	2	VC1 GUN	0.500	
		40	25	5	10	15	V2	2	VC2 GUN	0.500	
		63	45	10	20	30	V3	2	VC3 GUN	0.930	
		80	63	15	30	40	V4	2	VC4 GUN	0.930	
Red, long, padlockable with up to 3 padlocks (Ø 4 to Ø 8)	Yellow 90 x 90	125	100	25	50	50	V5	1	VC5 GUN	2.190	
		175	115	30	50	60	V6	1	VC6 GUN	2.190	

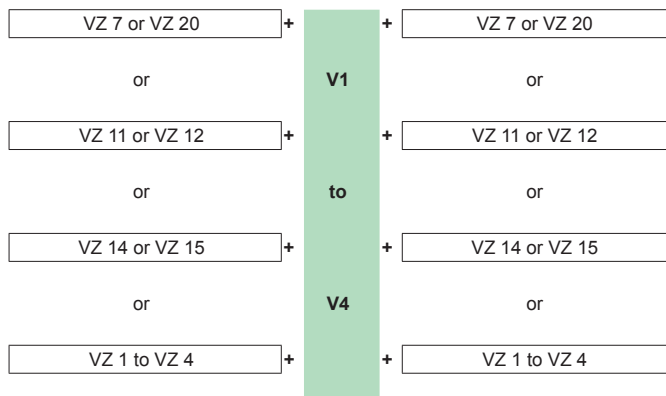
#### Add-on modules for VC enclosure

Description	Rating A	Reference	Weight kg
Main pole module (mounted in enclosure)	25	VZ 1	0.050
	32	VZ 2	0.050
	50	VZ 3	0.100
	63	VZ 4	0.100
Neutral pole module with early make and late break contacts	10 to 32	VZ 11	0.050
	50 and 63	VZ 12	0.100
	100 and 140	VZ 13	0.250
Earthing modules	10 to 32	VZ 14	0.050
	50 and 63	VZ 15	0.100
	100 and 140	VZ 16	0.250

Description	Type of contacts	Reference	Weight kg
Auxiliary contact block modules with 2 auxiliary contacts	N/O + N/C <sup>(2)</sup>	VZ 7	0.050
	N/O + N/O	VZ 20	0.050

#### Maximum number of add-on modules that can be fitted on a switch body

1 add-on module on each side of the switch body



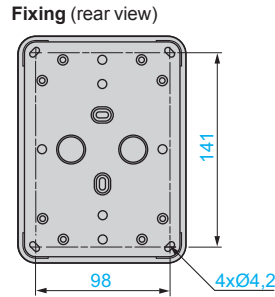
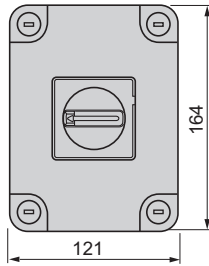
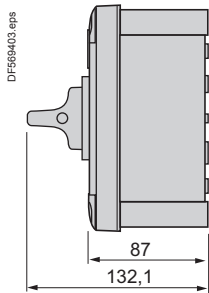
(1) For characteristics of switch disconnectors, please consult your Regional Sales Office.  
 (2) Late make N/O, early break N/C contacts.

# Enclosed starters

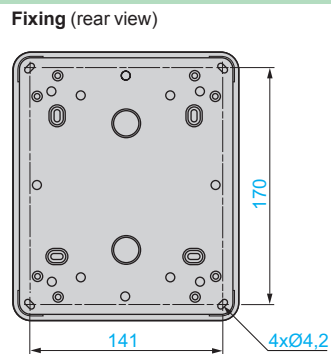
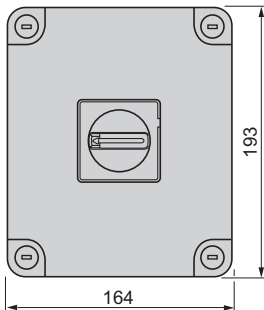
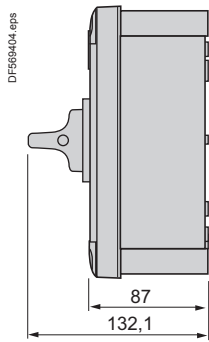
VARIO enclosed switch disconnectors for the North American market, conforming to UL and CSA standards

## Dimensions

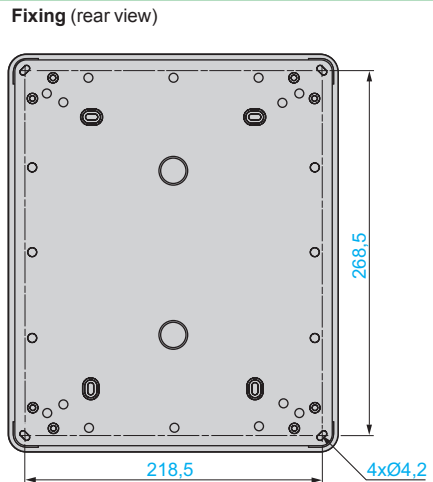
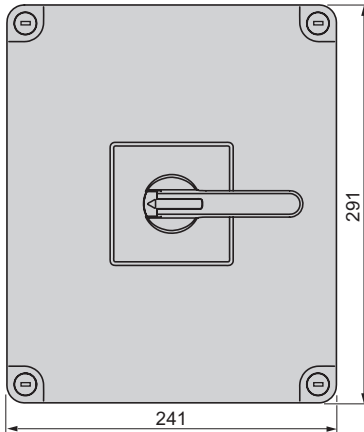
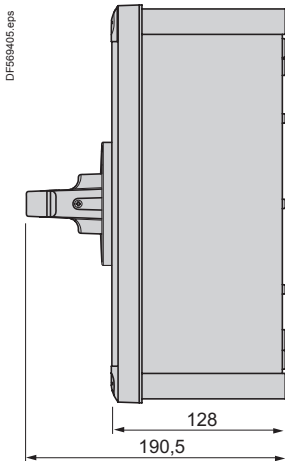
### VC1 GUN and VC2 GUN



### VC3 GUN and VC4 GUN



### VC5 GUN and VC6 GUN



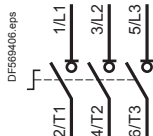
## Schemes

### Switch disconnectors

Enclosed switch disconnectors or switch bodies

Main pole module

Neutral pole module



### Auxiliary contact block modules

VZ 7

VZ 20

