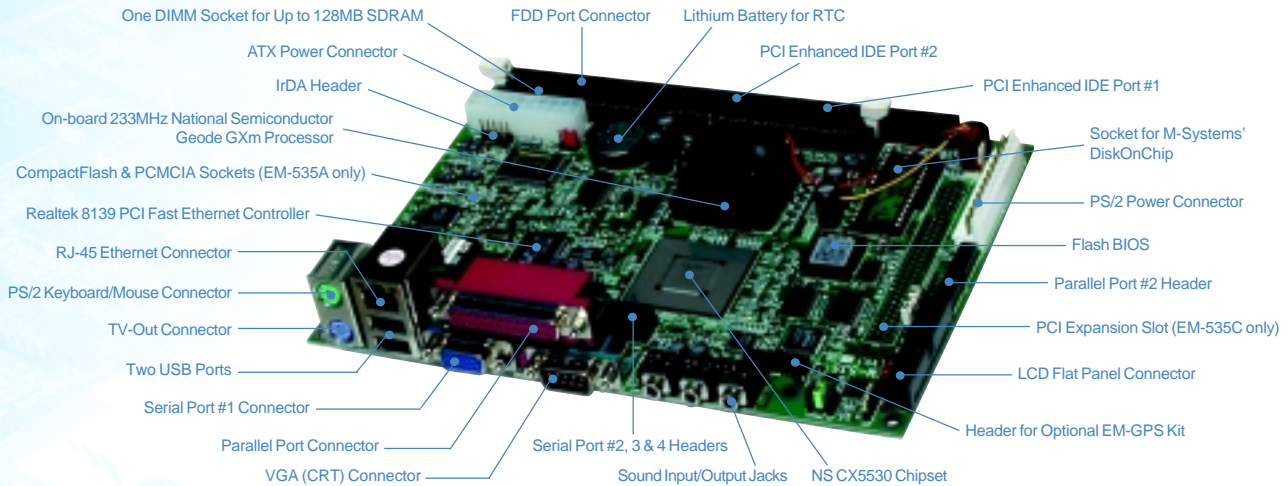


# EM-535 Series 5.25" Embedded SBC with Onboard NS Geode GXm CPU

Embedded SBC



## ■ Introduction

The EM-535 embedded SBC is a great choice for any multimedia applications, such as kiosk, set-top box, POS, panel PC, and HMI.

The on-board **National Semiconductor Geode GXm** processor and its companion CS5530 chipset support up to 128B memory and provide full functionality and performance you need.

EM-535 features **TFT LCD Panel/CRT** display function that supports resolutions and color depth up to 1024x768 at 64K colors, **TV output**, and **sound functions**. And the Realtek RTL8139 chip provides **Fast Ethernet** for network connectivity.

EM-535A includes one **CompactFlash** socket and one **PCMCIA** socket. While the EM-535C has one **PCI expansion slot**, but no CF or PCMCIA socket.

## ■ Ordering Information

- **EM-535A:** 5.25" Embedded SBC with on-board 233MHz NS Geode GXm processor and VGA/LCD/Fast Ethernet/Sound/CompactFlash socket/PCMCIA socket.
- **EM-535C:** 5.25" Embedded SBC with on-board 233MHz NS Geode GXm processor and VGA/LCD/Fast Ethernet/Sound/PCI slot.
- **EM-535x/200~300:** 5.25" Embedded SBC with 200/266/300MHz NS Geode GXm processor. Special order only. Call Lanner USA for detail.

## ■ Specifications

### • Processor

On-board 233MHz National Semiconductor Geode GXm 32-bit x86, MMX technology compatible processor with integrated FPU and 16KB L1 cache. (200/266/300MHz processor optional)

### • Chipset

NS CS5530 companion chipset & Winbond 83977F I/O chip.

### • BIOS

256KB Award licensed flash BIOS.

### • System Memory

One 168-pin DIMM socket supports up to 128MB of SDRAM.

### • Solid State Disk (SSD)

One 32-pin DIP socket supports M-Systems' DiskOnChip up to 144MB.

### • Video

NS CS5530 2D graphics with shared 2MB video memory. Supports CRT & 18-bit TFT LCD display at resolutions and color depth up to 1024x768 x 16bpp.

### • Ethernet

Realtek RTL8139x PCI Fast Ethernet (10/100Base-T) controller with RJ-45 connector.

### • Sound

Built-in sound functions by AD1819A Audio CODEC, include Mic-in, Line-in, Line-out and Speaker-out jacks.

### • TV Out

CHRONTEL CH7003B TV Encoder with composite/S-Video/RGB TV output connectors for NTSC and PAL modes.

### • CompactFlash (EM-535A only)

One CompactFlash socket supports Type I and Hot-plug function.

### • PCMCIA (EM-535A only)

RICOH R5C476II PCMCIA Bridge with one PCMCIA socket supports Type I or II and Hot-plug function.

### • IDE Interface

Two PCI Enhanced IDE interface supports up to four (PCI Bus Master, Ultra DMA/33, Multiword DMA & PIO mode 0-4) IDE devices.

### • FDD Interface

One FDD interface supports up to two floppy devices.

### • Serial I/O

Four 16550 serial ports, three RS-232 and one RS-232/422/485 selectable.

### • Parallel I/O

Two parallel ports supports for EPP, ECP and SPP modes.

### • Keyboard, Mouse and USB

One 6-pin Mini-Din PS/2 keyboard/mouse connector and Two USB Ports.

### • IR Interface

One IrDA header.

### • GPS

Reserved header for optional GPS kit.

### • Power Connector

ATX and PS/2 power connectors.

### • Power Management

I/O peripheral devices support power saving and doze/standby/suspend modes. APM 1.2 compliant.

### • Expansion Bus (EM-535C only)

One PCI expansion slot.

### • Real Time Clock

Internal RTC with Lithium battery.

### • Mechanical / Environmental

Dimension: 146X203mm (5-3/4" x 8")

Weight: 334.5g (11.8oz)

Operating Temperature: 0°C ~ 60°C

Storage Temperature: -20°C ~ 70°C

Operating Humidity: 10% ~ 90% RH, non-condensing

Power: 3.25A at +5V, 0.01A at -5V

0.01A at +12V, 0.01A at -12V

(max w/ 233MHz CPU and 128MB RAM)



**Lanner Electronics Inc.**

925 Canada Court • City of Industry, CA 91748 • U.S.A.  
Tel: (626) 581-1898 • Fax: (626) 581-1897 • www.lanner-usa.com • info@lanner-usa.com

Rev. 0700A