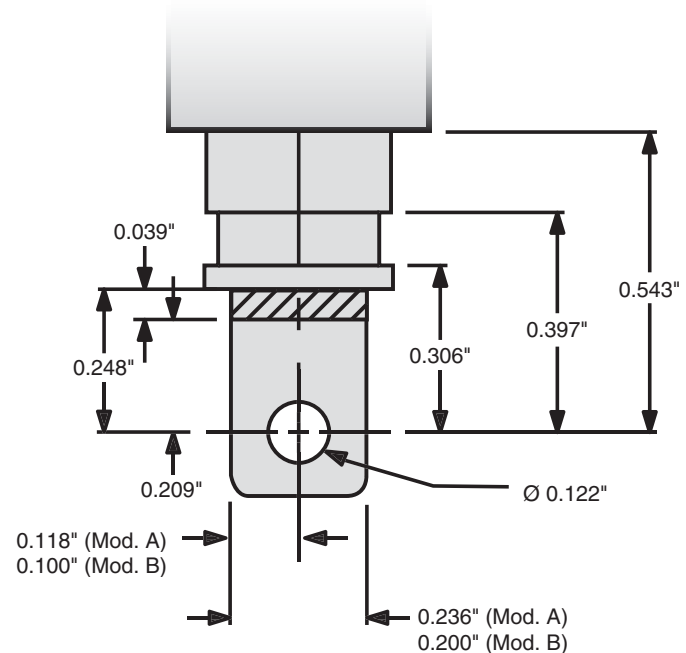
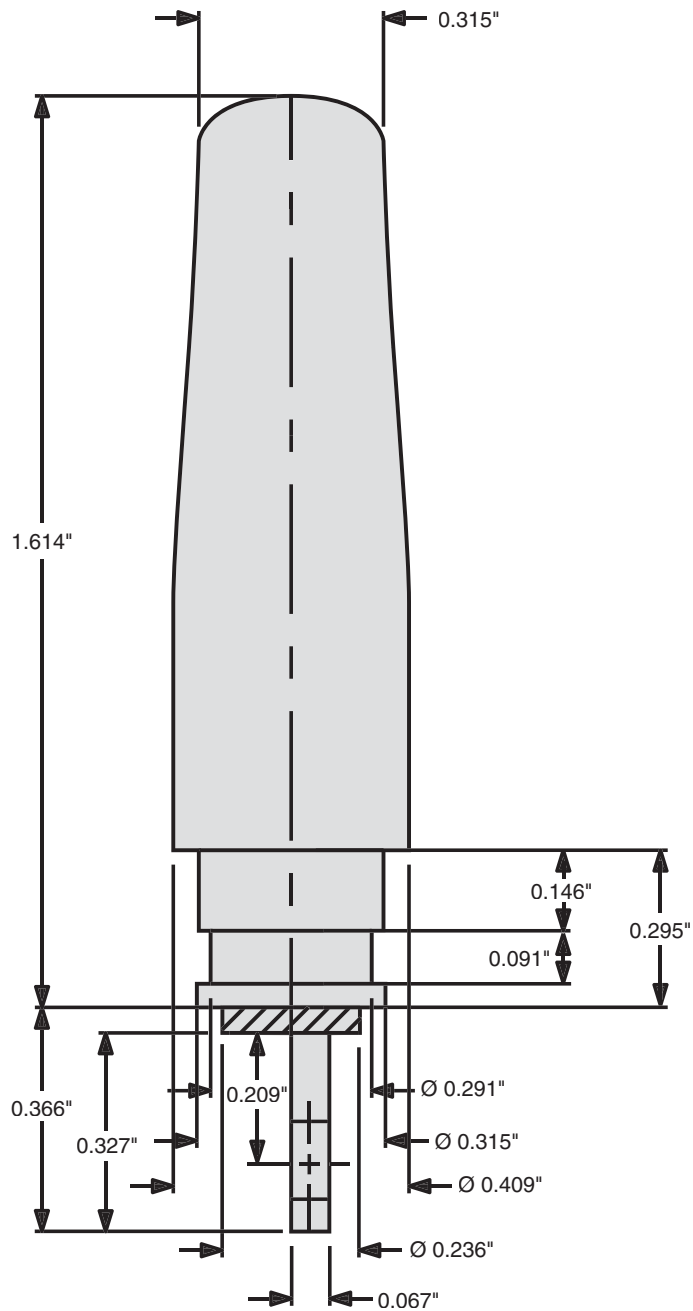


ZONE	REV	DESCRIPTION	DATE	APPROVED
------	-----	-------------	------	----------



DESIGN: <u>A/D-H/T</u>		LINUX TECHNOLOGIES		PHONE: 541-471-6256
DRAWING: <u>JH</u>		575 S.E. Ashley, Pl.		FAX: 541-471-6251
APPROVED: <u>PT</u>		Grants Pass, OR 97526		www.linxtechnologies.com
STATUS: <u>DRAFT/APPROVED</u>		TITLE LP Series Antenna Physical Dimensions		
DATE: <u>07 / 26 / 04</u>				
SERIES NUMBER LP		SIZE	FSCM NO.	DWG NO.
PART NUMBER ANT-***-LP		A		
PATH		SCALE		SHEET