

COMPACT® Aluminum Type 4X Enclosures



Construction

- Cast aluminum; no welded seams or sharp corners
- Captivated cover screws are stainless steel
- Cover screws placed outside sealed area
- Two to four grounding screws located on enclosure back wall
- Oil-resistant O-ring gasket with tongue-and-groove construction
- Threaded internal bosses provided for mounting optional panels, rails, and other components
- Mounting holes provided in corners outside of gasketed area

Finish

RAL 7042 gray finish inside and out. Optional conductive panels available.

Industry Standards

UL 508A, File No. E61997: Type 4, 4X, 12, and 13
NEMA/EEMAC Type 4, 4X, 12, and 13
CSA File No. 42186: Type 4, 4X, 12, and 13
IEC 60529, IP66

Accessories

DIN Type Rails
Hinge Kit
Mounting Bracket Kit
Panels

Application

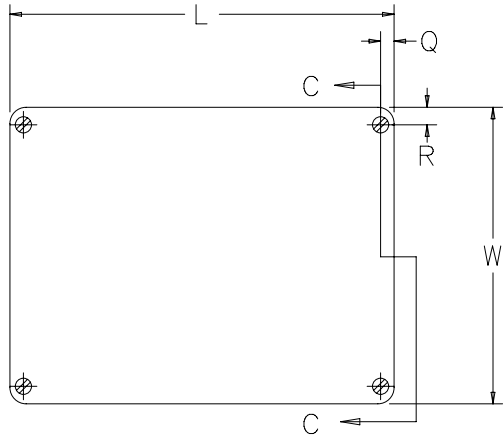
Designed as an instrument housing or junction box for electrical, electronic, or pneumatic components in indoor and outdoor applications. Aluminum is particularly durable and well-suited for use in areas where corrosion problems exist.

Standard Sizes COMPACT® Aluminum Type 4X Enclosures

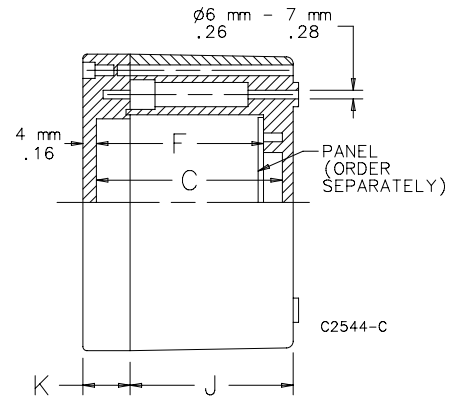
Catalog Number	Internal Dimensions A x B x C mm (in.)	External Dimensions L x W mm (in.)	Conductive Panel Catalog Number	Panel Size D x E mm (in.)	Mounting G x H mm (in.)	F mm (in.)	J mm (in.)	K mm (in.)	M mm (in.)	N mm (in.)	Q mm (in.)	R mm (in.)
CCA886	67 x 72 x 47 (2.64 x 2.83 x 1.85)	75 x 80 (2.95 x 3.15)	CCAP88	64 x 69 (2.52 x 2.72)	52 x 63 (2.05 x 2.48)	41 (1.61)	41 (1.61)	13 (0.51)	15 (0.60)	39 (1.54)	6 (0.24)	6 (0.24)
CCA1286	116 x 71 x 51 (4.57 x 2.8 x 2.01)	125 x 80 (4.92 x 3.15)	CCAP128	114 x 69 (4.49 x 2.72)	52 x 113 (2.05 x 4.45)	45 (1.77)	42 (1.65)	15 (0.59)	15 (0.60)	39 (1.54)	6 (0.24)	6 (0.24)
CCA1886	167 x 72 x 47 (6.57 x 2.83 x 1.85)	175 x 80 (6.89 x 3.15)	CCAP188	164 x 69 (6.46 x 2.72)	52 x 163 (2.05 x 6.42)	41 (1.61)	41 (1.61)	13 (0.51)	15 (0.60)	39 (1.54)	6 (0.24)	6 (0.24)
CCA12128	112 x 112 x 72 (4.41 x 4.41 x 2.83)	122 x 122 (4.80 x 4.80)	CCAP1212	109 x 108 (4.29 x 4.25)	82 x 106 (3.23 x 4.17)	631 (2.48)	60 (2.36)	20 (0.79)	52 (2.05)	—	8 (0.31)	20 (0.79)
CCA22128	210 x 112 x 72 (8.27 x 4.41 x 2.83)	220 x 122 (8.66 x 4.80)	CCAP2212	204 x 108 (8.03 x 4.25)	82 x 204 (3.23 x 8.03)	63 (2.48)	60 (2.36)	20 (0.79)	52 (2.05)	—	8 (0.31)	20 (0.79)
CCA16169	149 x 149 x 82 (5.87 x 5.87 x 3.23)	160 x 160 (6.30 x 6.30)	CCAP1616	146 x 146 (5.75 x 5.75)	110 x 140 (4.33 x 5.51)	73 (2.87)	70 (2.76)	201 (0.79)	76 (2.99)	—	11 (0.43)	25 (0.98)
CCA26169	249 x 149 x 82 (9.8 x 5.87 x 3.23)	260 x 160 (10.23 x 6.30)	CCAP2616	246 x 146 (9.69 x 5.75)	110 x 240 (4.33 x 9.45)	73 (2.87)	70 (2.76)	20 (0.79)	76 (2.99)	—	11 (0.43)	25 (0.98)
CCA36169	349 x 149 x 82 (13.74 x 5.87 x 3.23)	360 x 160 (14.17 x 6.30)	CCAP3616	346 x 146 (13.62 x 5.75)	110 x 340 (4.33 x 13.39)	73 (2.87)	70 (2.76)	20 (0.79)	76 (2.99)	—	11 (0.43)	25 (0.98)
CCA202311	189 x 218 x 103 (7.44 x 8.58 x 4.06)	200 x 230 (7.87 x 9.06)	CCAP2023	185 x 215 (7.28 x 8.46)	180 x 180 (7.09 x 7.09)	93 (3.66)	90 (3.54)	20 (0.79)	80 (3.15)	144 (5.67)	11 (0.43)	25 (0.98)
CCA332311	319 x 218 x 102 (12.54 x 8.58 x 4.02)	330 x 230 (12.99 x 9.06)	CCAP3323	315 x 215 (12.40 x 8.46)	180 x 310 (7.09 x 12.21)	93 (3.66)	90 (3.54)	20 (0.79)	80 (3.15)	144 (5.67)	11 (0.43)	25 (0.98)
CCA332318	319 x 219 x 172 (12.56 x 8.62 x 6.77)	330 x 230 (12.99 x 9.06)	CCAP3323	315 x 215 (12.40 x 8.46)	180 x 310 (7.09 x 12.21)	162 (6.38)	160 (6.30)	20 (0.79)	100 (3.94)	144 (5.67)	11 (0.43)	25 (0.98)

Purchase panels separately.
CCA886, CCA1286, and CCA1886 enclosures have only two mounting holes.

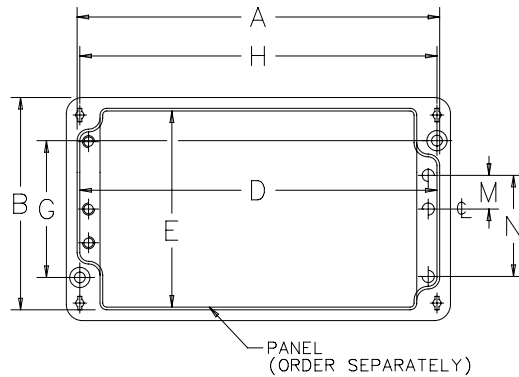
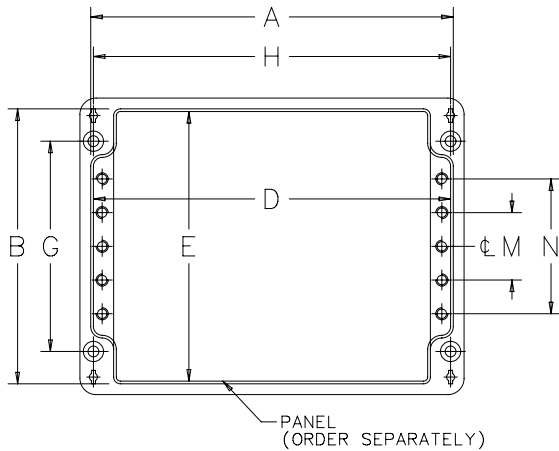
COMPACT® Aluminum Type 4X Enclosures



TOP VIEW



SECTION C-C



(CCA86, CCA1286, CCA1886 ONLY)

TOP VIEW WITH COVER REMOVED