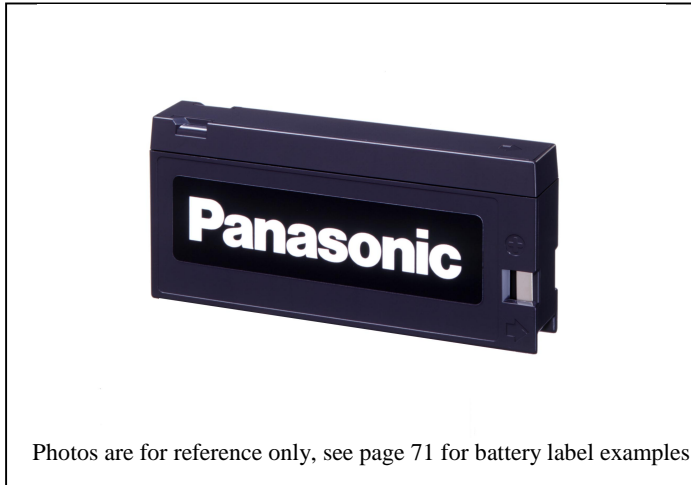


# INDIVIDUAL SPECIFICATIONS

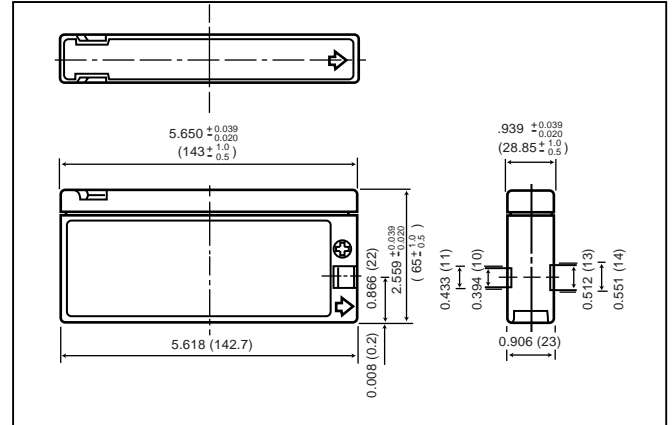
## LC-T121R8P(a)(LCT-1812P)

\* This product adopts UL94HB-compliant resin as the material of the battery case. Product color is black. Optionally, type LC-V121R8P(a) which adopts flame-retardant resin complying with UL94V-0 is also available. Product color is gray.



Photos are for reference only, see page 71 for battery label examples.

### Dimensions inch (mm)

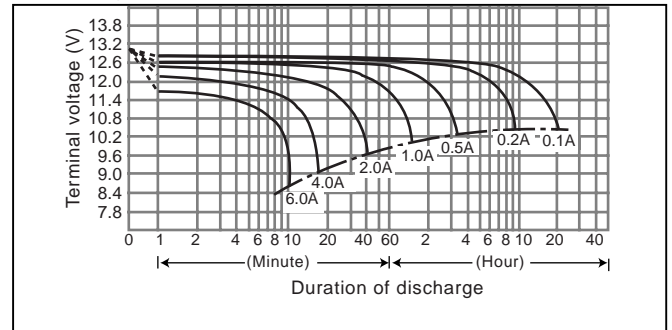


(a) Add applicable codes for terminal type, destination country, etc. (see page 21)

### Specifications

Nominal voltage	12V	
Nominal capacity (20 hour rate)	1.8Ah	
Dimensions inch (mm)	Total height	2.559 inch (65mm)
	Height	2.559 inch (65mm)
	Length	5.650 inch (143.5mm)
	Width	0.939 inch (23.85mm)
Mass	Approx. 1.30 lbs. (.59kg)	

### Discharge characteristics (77°F (25°C)) (note)



### Characteristics

Capacity (note) (77°F (25°C))	20 hour rate (87.5mA)	1.75Ah	
	10 hour rate (170mA)	1.70Ah	
	5 hour rate (320mA)	1.60Ah	
	1 hour rate (1300mA)	1.30Ah	
	1.5 hour rate discharge	.95A	
	Cut-off voltage 10.5 V		
Internal resistance	Fully charged battery (77°F (25°C))	Approx. 50mΩ	
Temperature dependency of capacity (20 hour rate)	104°F (40°C)	102 %	
	77°F (25°C)	100 %	
	32°F (0°C)	85 %	
	5°F (-15°C)	65 %	
Self discharge (77°F (25°C))	Residual capacity after standing 3 months	91%	
	Residual capacity after standing 6 months	82%	
	Residual capacity after standing 12 months	64%	
Terminal		Pressure contact type	
Charge Method (Constant Voltage)	Cycle use (Repeating use)	Initial current Control voltage	0.72 A or smaller Constant voltage; 14.5 to 14.9 V (per 12V cell 77°F (25°C))
	Trickle use	Control voltage	13.6 to 13.8 V (per 12V cell 77°F (25°C))

(Note) The above characteristics data are average values obtained within three charge/discharge Cycles not the minimum values.

### Duration of discharge vs. Discharge current (note)

