

612 NH

# DC axial compact fan



## ebm-papst St. Georgen GmbH & Co. KG

Hermann-Papst-Straße 1

D-78112 St. Georgen

Phone +49 7724 81-0

Fax +49 7724 81-1309

info2@de.ebmpapst.com

www.ebmpapst.com

## Nominal data

Type	612 NH	
Nominal voltage	VDC	12
Nominal voltage range	VDC	8 .. 15
Speed	min <sup>-1</sup>	5600
Power input	W	2.0
Min. ambient temperature	°C	-20
Max. ambient temperature	°C	70
Air flow	m <sup>3</sup> /h	46
Sound power level	B	5.3
Sound pressure level	dB(A)	37

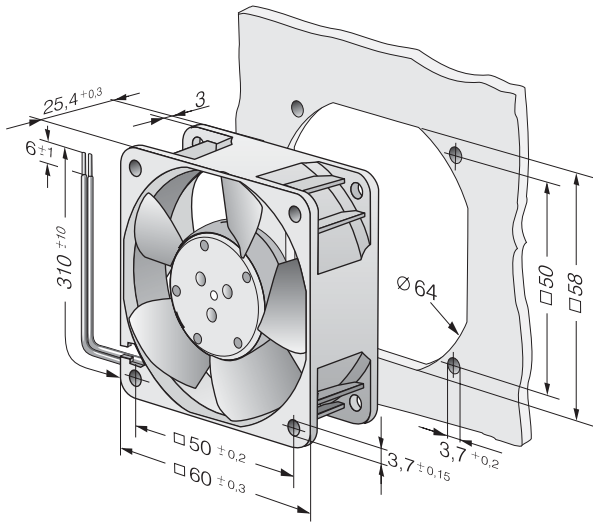
ml = max. load · me = max. efficiency · fa = running at free air · cs = customer specs · cu = customer unit  
Subject to alterations



## Technical features

<b>General description</b>	<p>Particular design features:            Ball bearings and sleeve bearings available.            Some models suitable for use at high ambient temperatures up to 85 °C.</p> <p>General features:            Material: fibreglass-reinforced plastic. Impeller PA, housing PBT.            Electronic commutation completely integrated.            Protected against reverse polarity and locking.            Connection via single strands AWG 22, TR 64, bared and tin-plated.            Air exhaust over bars. Rotational direction clockwise looking at rotor.            Mass: 66 g.</p>
<b>Mass</b>	0.085 kg
<b>Dimensions</b>	60 x 60 x 25 mm
<b>Material of impeller</b>	Fiberglass-reinforced PA plastic
<b>Housing material</b>	Fiberglass-reinforced PBTP plastic
<b>Direction of air flow</b>	Air exhaust over bars
<b>Direction of rotation</b>	Right, looking at rotor
<b>Bearing</b>	Ball bearings
<b>Lifetime L10 at 40 °C</b>	70000 h
<b>Lifetime L10 at maximum temperature</b>	35000 h
<b>Connection line</b>	Single strands AWG 22, TR 64, bared and tin-plated.
<b>Motor protection</b>	Protected against reverse polarity and locking.
<b>Locked-rotor protection</b>	With electronic blocking and overload protection
<b>Approval</b>	VDE, CSA, UL, CE

## Product drawing



## Charts: Air flow

