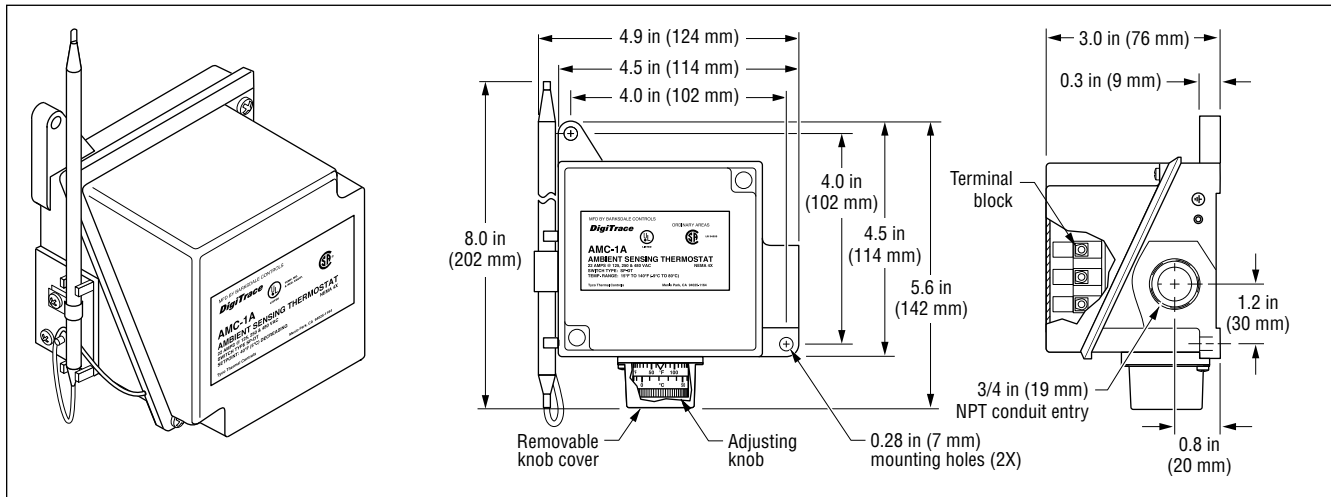


Ambient-sensing thermostat for nonhazardous locations

The DigiTrace AMC-1A ambient-sensing thermostat is designed to control heat-tracing systems used for freeze protection in nonhazardous locations. The thermostat

responds to ambient temperature changes and has an adjustable set point. The AMC-1A can be used to control a single heat-tracing circuit or as a pilot control of a

contactor switching multiple heat-tracing circuits.



Specifications

Enclosure	NEMA 4X, polyurethane-coated cast-aluminum housing, stainless-steel hardware
Entries	One 3/4-in (19 mm) NPT conduit hub
Set point range	15°F to 140°F (−9°C to 60°C)
Sensor exposure limits	−40°F to 160°F (−40°C to 71°C)
Housing exposure limits	−40°F to 160°F (−40°C to 71°C)
Switch	SPDT
Electrical rating	22 A at 125 / 250 / 480 Vac
Accuracy	±6°F (±3.3°C)
Deadband	2°F to 12°F (1.1°C to 6.7°C) above actuation temperature
Set point repeatability	±3°F (±1.7°C)
Sensor type	Fixed fluid-filled (silicone) bulb and capillary
Sensor material	300 series stainless steel
Connection terminals	Screw terminals, 10–14 AWG (2–5 mm ²)

Approvals



**Worldwide Headquarters
Tyco Thermal Controls**

7433 Harwin Drive
Houston, TX 77036
USA
Tel: 800-545-6258
Tel: 650-216-1526
Fax: 800-527-5703
Fax: 650-474-7711
info@tycothermal.com
www.tycothermal.com

**Canada
Tyco Thermal Controls**

250 West St.
Trenton, Ontario K8V 5S2
Canada
Tel: 800-545-6258
Fax: 800-527-5703
Tel: 613-392-6571
Fax: 613-392-3999

**Europe, Middle East, Africa
Tyco Thermal Controls**

Romeinse straat 14
3001 Leuven
België / Belgique
Tel: +32 16 213 511
Fax: +32 16 213 603

**Latin America
Tyco Thermal Controls**

Al. Araguaia, 2044 – Sala.1101,
Bloco B
Edifício CEA – Alphaville
Barueri – Sao Paulo – Brasil
06455-000
Tel: +55 11 2588 1400
Fax: +55 11 2588 1410

**Asia Pacific
Tyco Thermal Controls**

20F, Innovation Building,
1009 Yi Shan Rd,
Shanghai 200233, P.R.China
Tel: +86 21 2412 1688
Fax: +86 21 5426 2937 / 5426 3167

Tyco, Alliance Integrated Systems, AMC, AutoMatrix, AutoSol, BTV, CapaciSense, Chemelex, DHSX, DigiTrace, DigiTrace logo, DigiTrace Supervisor, Duoterm, ElectroMelt, EM2XR, FHSM, FHSC, FlexFit, FlexiClic, Flowguard, FreezeTrace, FreezGard, Frostex, Frostex Plus, Frostguard, FroStop, FSE, Gardian, HAK, Handvise, HBTv, HCCL, HotCap, HQTV, HTPG, HTPi, HWAT, HXTV, IceStop, Interlock, JBM, JBS, K-Flex, K-Flex logo, KHE, KHH, KHL, KHP, KTV, Labsafe, LBTv, LHC, LHFV, LHRV, Metabond, Mini WinterGard, Miser WinterGard, MoniTrace, Multi-plus, NGC, PetroTrace, PLI, PolyMatrix, Pyro CiC, PyroFLX, Pyromaster, Pyropak, Pyrosil, PyroSizer, Pyrotenax, Pyrotenax Designer, Pyrotenax logo, QTVR, QuickNet, QuickNet logo, QuickStat, QuickTerm, RayClic, RaySol, RayStat, Retro WinterGard, RHS, RHSC, RHSM, RMM2, SBF, SBV, SC, SHC, Sheathmaster, ShowerGuard, SLBTV, Smart Heat for Comfort and Safety, SnoCalc, SnoCalc logo, STS, System 500, System 1850, System 1850-SE, System 2000, System 2200, T2, T2 logo, T2Blue, T2QuickNet, T2Red, T2Reflecta, TankCalc Plus, TempBus, Thermoheat, ThermoLimit, Thermo-Line, Total Care in Heat-tracing, Touch, Trac-Loc, Trac Calc, TraceCalc Net, TraceCalc Net logo, TraceCalc Pro logo, TraceGuard 277, TraceMaster, Tracer, Tracer logo, TRACERLYNX, TRACERLYNX logo, TraceStat, TraceTek, TraceTek logo, TruckPak, VLBTv, VLKTV, VPL, We manage the heat you need, WinterGard, WinterGard logo, WinterGard Plus, WinterGard Wet, XL-ERATE, XL-ERATE logo, XL-Trace, XTV and Zero EMI are registered and/or unregistered trademarks of Tyco Thermal Controls LLC or its affiliates.

All other trademarks are the property of their respective owners.

tyco
Thermal Controls

Important: All information, including illustrations, is believed to be reliable. Users, however, should independently evaluate the suitability of each product for their particular application. Tyco Thermal Controls makes no warranties as to the accuracy or completeness of the information, and disclaims any liability regarding its use. Tyco Thermal Controls' only obligations are those in the Tyco Thermal Controls Standard Terms and Conditions of Sale for this product, and in no case will Tyco Thermal Controls or its distributors be liable for any incidental, indirect, or consequential damages arising from the sale, resale, use, or misuse of the product. Specifications are subject to change without notice. In addition, Tyco Thermal Controls reserves the right to make changes—without notification to Buyer—to processing or materials that do not affect compliance with any applicable specification.