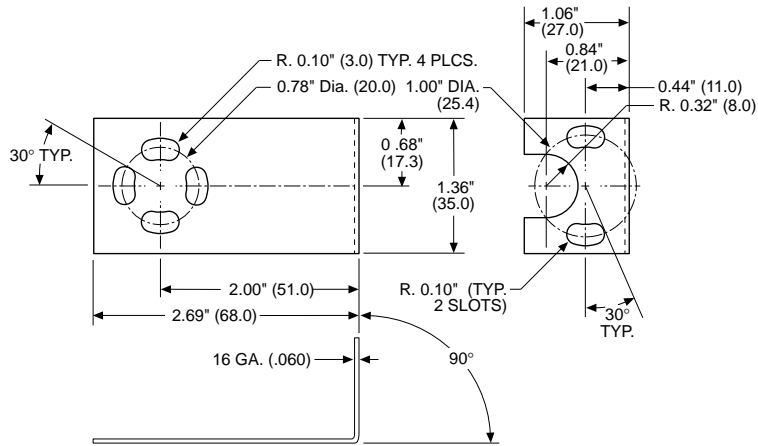


# Brackets

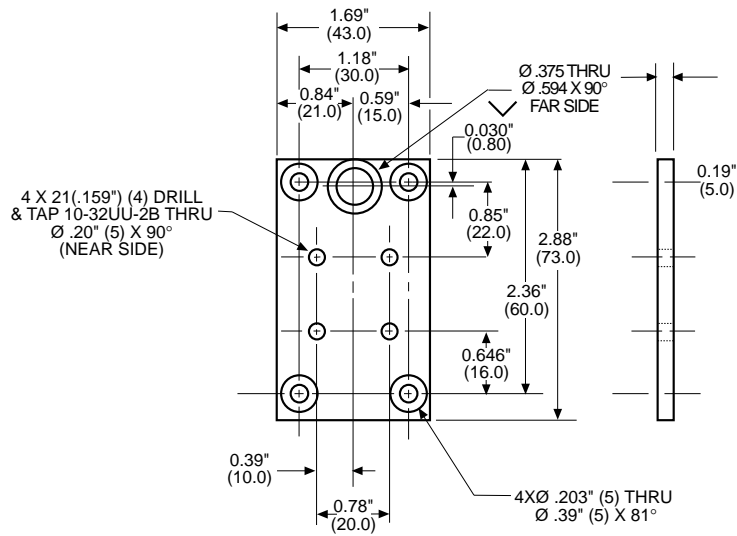
# Photoelectric Sensor Accessories

Photoelectric Sensors

## BRACKETS FOR EP200 SERIES

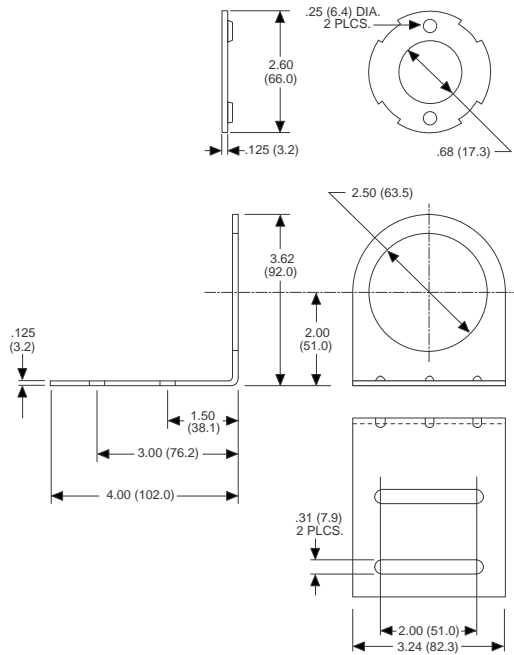


**Part No. EP180-20010**  
Material: Cadmium Plated Steel



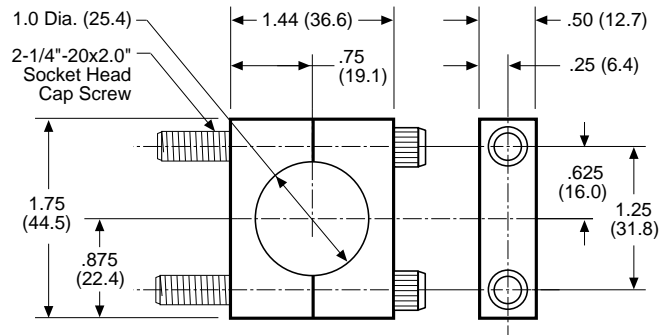
**Part No. EP180-20011**  
Material: Aluminum Clear Anodized

**BRACKET FOR TRI-COLOR UNITS**



**Part No. EP180-40000 (Swivel)**  
Material: Cadmium Plated Steel

**BRACKET FOR EP570 SERIES**



**Part No. EP180-50000**  
**(Used with EP570)**  
Material: Cadmium Plated Steel



Namco Controls Corporation  
Mayfield Village, OH 44143  
(440) 460-1360 • FAX (440) 460-3800 • namcocontrols.com

For technical assistance, call 1-800-NAMTECH