

# FPM-3060G

## Industrial 6" VGA Flat Panel Monitor with Direct-VGA Port



### Features

- 6" VGA TFT LCD with resolution up to 640 x 480
- Robust design with stainless steel chassis and aluminum front panel
- Hard anodic coating to prevent panel abrasion and acid corrosion
- Anti-reflective screen with tempered glass
- Supports stainless steel front panel (Customization)
- OSD control pad on front panel
- Supports industrial 24-48 V<sub>DC</sub> power input (Optional)
- Supports transreflective LCD technology (Customization)
- Supports Panel, Wall, Desktop, Rack or VESA arm mounting
- NEMA4/IP65 Compliant
- RoHS Compliant

### Introduction

FPM-3060G is a 6" flat panel monitor designed for industrial applications with small display requirements. High brightness of up to 400 nits makes the display clearly visible, while the wide operating temperature range of 0 to 50° C combined with vibration resistance makes it suitable for rugged environments. Mounting of the small and compact display can be done in panels, with VESA arms, and even directly on products in the UNO-2000 and MBPC-200 series. Optional versions of FPM-3060G provide RS-232 or USB interfaces for a resistive touchscreen.

### Specifications

#### General

- **Button Controls** OSD (Onscreen Display) control pad on front panel
- **Certification** BSMI, CCC, CE, FCC-B
- **Dimension (W x H x D)** 220 x 150 x 45 mm (8.7" x 5.9" x 1.8")
- **Enclosure** Front panel : Aluminum with hard anodic coating, Rear cover : Stainless steel chassis
- **Mounting** Panel, wall, desktop, VESA arm, or 19" rackmount with optional mounting kit
- **Power Input** External 42 W power adapter, with AC 100 V ~ 240 V input and DC +12 V @ 3.5 A output
- **Video Port** VGA
- **Weight (Net)** 1.82 kg (4.01 lbs)

#### LCD Display

- **Display Type** VGA TFT LCD (TOSHIBA)
- **Display Size** 6.5"
- **Max. Resolution** 640 x 480
- **Max. Color** 262K
- **Viewing Angle (H/V)°** 140, 120
- **Luminance (cd/m<sup>2</sup>)** 300
- **Backlight Life (hrs)** 50,000
- **Contrast Ratio** 500 : 1

#### Touchscreen (Optional)

- **Sensor** AMT
- **Type** 4W Resistive
- **Interface** RS-232 or USB
- **Lifespan** 10 million with a silicone rubber of R8 finger, writing rate is by 250g at 2 times/s
- **Light Transmission** > 80%
- **OS Support** (RS-232) DOS, Windows® 95/98/ME/2000/XP (USB) Windows 95/98/ME/2000/XP/CE
- **Power Consumption** +5 V @ 100 mA
- **Touch Resolution** Linearity

#### Environment

- **Operation Temperature** 0 ~ 50° C (32 ~ 122° F)
- **Storage Temperature** -20 ~ 60° C (-4 ~ 140° F)
- **Humidity (Storage)** 10 ~ 95% non-condensing
- **Waterproof** IEC529 IP65 (Front Panel)
- **Vibration** 5 ~ 500 Hz, 1 Grms (Operating, Random)

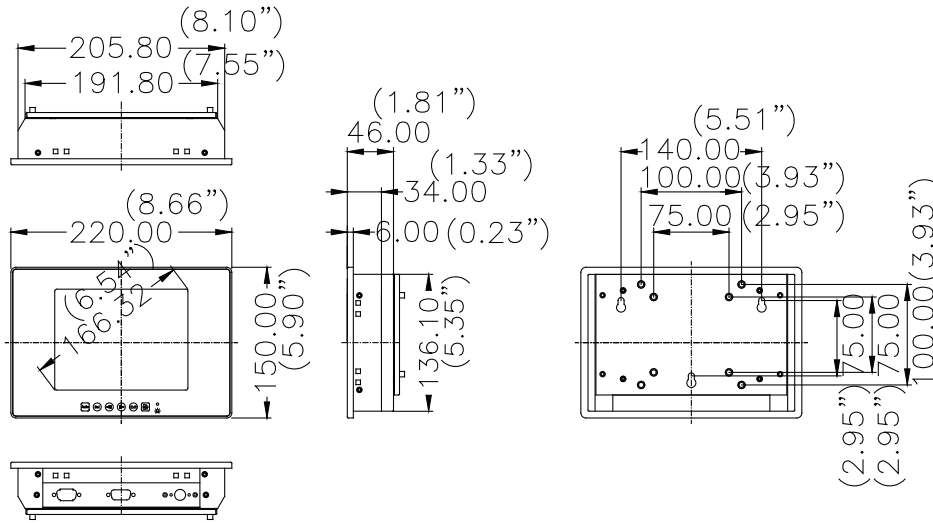
### Ordering Information

- **FPM-3060G-XAE** Ind. 6" VGA FPM w/Direct-VGA Input
- **FPM-3060G-RAE** FPM-3060G-XAE w/Resistive TS (RS-232 interface)
- **FPM-3060G-UAE** FPM-3060G-XAE w/Resistive TS (USB interface)
- **PWR-246E** Ind. DC to DC Converter w/24-48 V<sub>DC</sub> Power Input

**Dimensions**

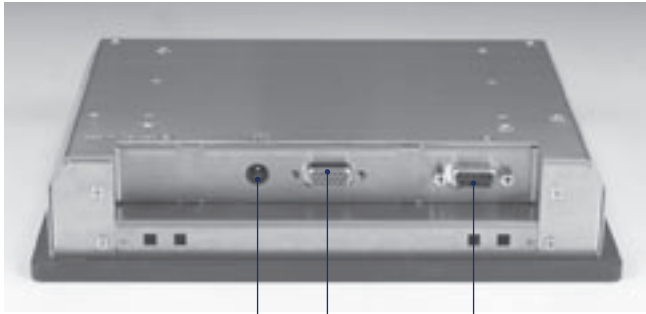
Unit: mm

FPM-3060-XAE



Cut out dimension 209.80 x 140.10mm (8.25"x5.51')

**I/O View**



Touchscreen Port  
(USB or RS-232)

Power Connector

VGA Port

**Mounting with DC Source**

