

EH-7104G

Residential Terminal with Windows® CE OS, Hot Keys, CCD and Handset



Features

- Embedded Microsoft Windows® CE 3.0 OS
- CCD camera
- Handset
- 4 Programmable hotkeys
- 10.4" TFT LCD with touchscreen
- 4 LED indicators
- Built-in microphone
- Built-in speaker
- 1 emergency button

Introduction

The EH-7104G residential terminal is a standard Advantech product that has been used in several BA/HA (Building Automation/ Home Automation) projects. Utilizing a Microsoft Windows® CE 3.0 embedded software kernel & flexible hardware layout, this unit can be integrated into existing networks easily.

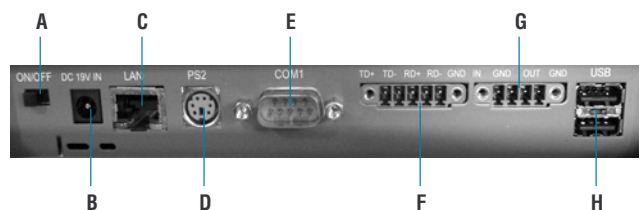
The EH-7104G is equipped with a NS Geode™ GX1 300 CPU, touch screen, CCD camera & handset and is an integral part of a home/ building security & automation solution. It connects service/emergency messaging and sensor signals of an apartment unit to an administration center via LAN. The handset of the unit can be used as a door phone and intercom. RS232/RS485/RS422 outputs convey the traditional analog audio signals.

Specifications

Items	Specifications	
CPU	NS Geode GX1 300 MHz	
Display	Panel type	TFT color LCD
	Screen Size	10.4" (Diagonal)
	Resolution	800 (H) x 600 (V)
	Luminance	150 nit (w/ TS)
	Viewing angle	Horizontal +40, -40; Vertical +35, -15
	Backlight MTBF	20,000 hours (typ)
Memory	Working	128 MB SDRAM
	Storage	Internal Type II CompactFlash™ up to 256 MB
Audio	Speaker	1W x 1
	Microphone	internal
Interface for User	CCD	45° at F2.8 / 51° at F2.0
	Hotkeys	4 Keys & 1 Emergency Button
	LED	4 Status LEDs + 5 Hotkey LEDs
Interface for System Integrator	IDE CF Socket	1
	Header Connector	1
	PS-2 Port	1

Interface to Sensor & Control	RS-485 / RS-422	1
	RS-232	1
Interface to the Internet	RJ-45	10/100 Base-T Ethernet
Interface to Door Phone	Audio Signal Interface	Yes
	Door un-lock Button	Yes
Embedded OS	Windows CE 3.0	Yes
Handset		Yes
Power Consumption		< 48 W
Dimensions (W x H x D)		315 x 240 x 60 mm
Weight		2.5 kg
Operating Temperature		0 ~ 40 ° C
Certificates		UL, 3C, CE, FCC Class B

Fully-Integrated I/O

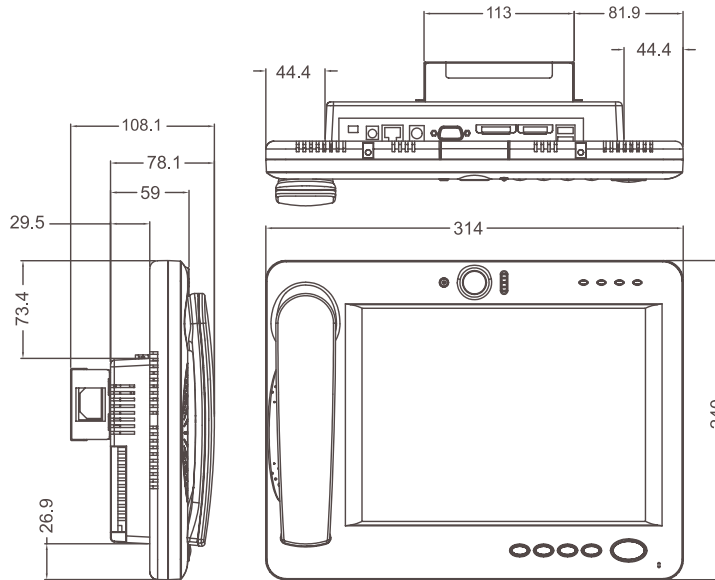


- A. Power Switch
- B. DC Power Inlet
- C. 10/100 Base-T Ethernet Port
- D. PS2 Mouse/ Keyboard Port
- E. COM/RS-232 Port
- F. D/I/O (Digital Input/Output)
- G. Panel LED Indicator
- H. 2 USB Ports

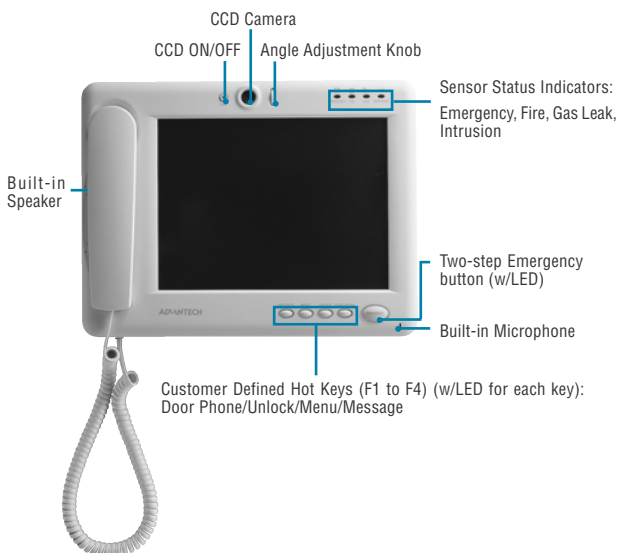
Smart Home Networking Platforms

Note: All specifications are subject to change without notice.

Dimensions



Unit: mm



Packing List Information

- Mounting Rack
- CD Utility
- AC/DC Power Adapter
- User Manual

Ordering Information

- EH-7104G**
10.4" Home Terminal with 64 MB CF card, CCD camera, handset, DC adapter and wall mount kit.
- EH-7104G-CE**
10.4" Home Terminal with 64 MB CF card, Windows® CE 3.0 OS, CCD camera, handset, DC adapter and wall mount kit.

SoC	1
RISC	2
SOM	3
SBC	4
PC/104	5
Slot CPU	6
POS	7
Security	8
Medical	9
Smart Home	10
Kiosk	11
PPC	12
Appx	13
Index	



[Datasheet Download & Buy Online](#) >>

Address: www.advantech.com/ecg/

Enter