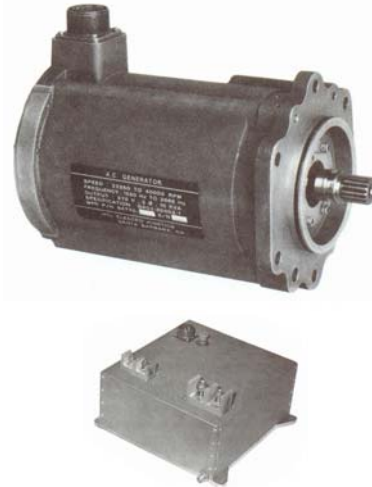


DATA SHEET
SPECIFICATIONS
**MODEL # 5287
DC GENERATOR SYSTEM
10KVA - 40,000 RPM**

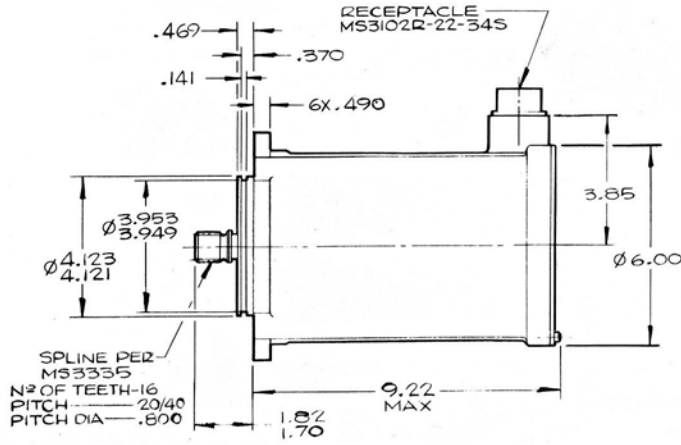
DUAL OUTPUT VOLTAGE:	OUTPUT 1: 27.5 TO 28.5 VDC OUTPUT 2: 125 TO 145 VDC
SPEED RANGE:	23,250 TO 40,000 RPM
OVERSPEED:	44,000 RPM
RATING:	
CONTINUOUS OVERLOAD	10 KW TOTAL MIL-STD-704B LIMITS 28 V, 428 A, 3 MIN 28 V, 570 A, 5 SEC
EFFICIENCY:	85% AT RATED LOAD
COOLING:	GENERATOR-OIL @200°F TO 250°F CONVERTER/REGULATOR FLUID COOLED COLD PLATE
ALTITUDE:	0 TO 70,000 FT
WEIGHT:	GENERATOR 29.4 LBS DRY 32.4 LBS WET CONVERTER/ REGULATOR- 35.6 LBS DRY
PROTECTIVE FUNCTIONS:	OVER VOLTAGE UNDERVOLTAGE UNDERSPEED
COMPLIANCE:	MIL-G-6162B MIL-STD-704B MIL-STD-461B MIL-STD-462 MIL-STD-810


DESCRIPTION

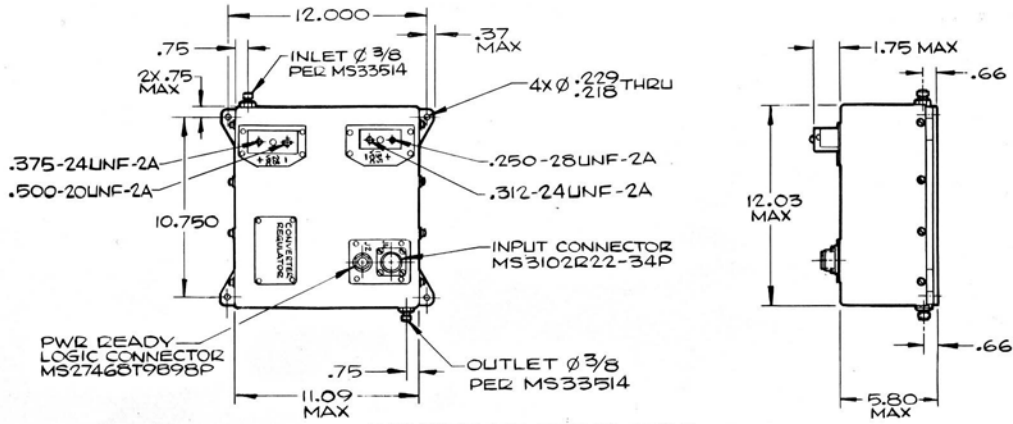
Model 5287 consists of a generator and a converter/regulator. The 270 VAC generator is an oil cooled, brushless, self-contained hybrid generator utilizing high-energy permanent magnets and a homopolar inductor section for voltage regulation. This high-speed machine provides three-phase 270 VAC to the converter/regulator.

The converter/regulator rectifies and conditions the alternator power for dual outputs of 28 VDC and 135 VDC. It features a pulse-width modulated field regulator that controls the generator output voltage, based on the 28 VDC output. The 135 VDC output is thereby semi-regulated. The converter/regulator also controls the system contactors for both outputs, in addition to providing various system protective functions.

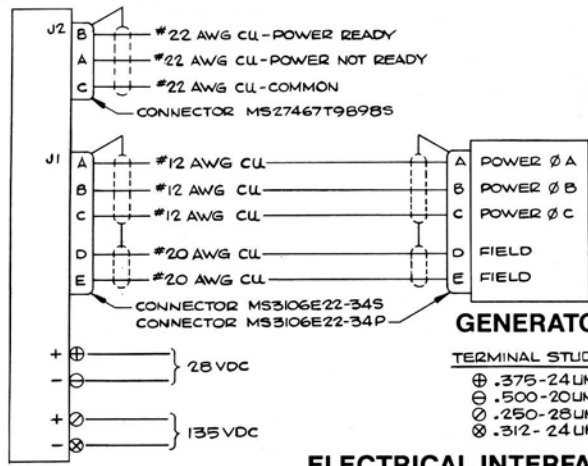
OUTLINE DETAILS



GENERATOR



CONVERTER REGULATOR



GENERATOR

TERMINAL STUD LEGEND

⊕ .375-24 UNF-2A
⊖ .500-20 UNF-2A
⊙ .250-28 UNF-2A
⊗ .312-24 UNF-2A

CONVERTER/REGULATOR

ELECTRICAL INTERFACES