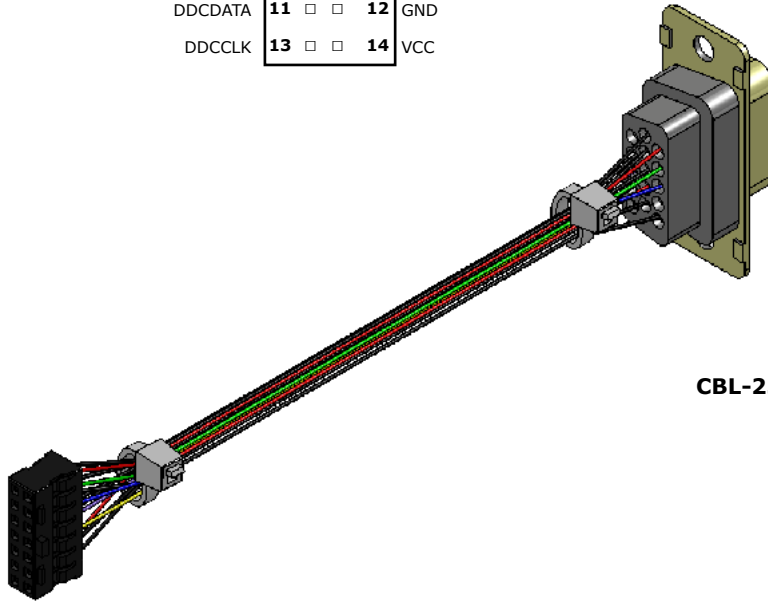


J6 - ANALOG VGA

PCB Connector: MOLEX 87832-1420 (J6)  
 Mating Connector: MOLEX 51110-1451 (Housing)  
 MOLEX 50394-8051 (Crimp)

**J6**

RED	1	■	2	GND
GREEN	3	□	4	GND
BLUE	5	□	6	GND
HSYNC	7	□	8	GND
VSYNC	9	□	10	GND
DDCDATA	11	□	12	GND
DDCLK	13	□	14	VCC



CBL-234-G-1-1.375

VGA [DB15 Female]



Pin	COLOR	SIGNAL
1	RED	RED
2	GREEN	GREEN
3	BLUE	BLUE
4	-	-
5	BLACK	GND
6	BLACK	GND
7	BLACK	GND
8	BLACK	GND
9	RED	VCC
10	BLACK	GND
11	-	-
12	BLACK	DDCDATA
13	VIOLET	HSYNC
14	YELLOW	VSYNC
15	BLACK	DDCLK