

## VMM ROTARY VALVE ACTUATORS

### PRODUCT DATA



### Features

- Protected against overload and blocking
- Maintenance-free electrical actuator for rotary valves
- Clear position indicator
- Direct mounting on rotary valves
- Manual operation
- High torque
- Large wiring cabinet
- Long lifetime

### Specifications

Power supply	230 Vac / 24 Vac; 50 Hz Depending on type
Power consumption	3.5 VA
Control signal	230 Vac / 24 Vac, floating. Depending on type (see table)
Run time	Depending on type (see table)
Nominal torque	10 Nm / 20 Nm / 30 Nm / 40 Nm. Depending on type (see table)
Angle of rotation	90°
Protection standard	IP 54 per EN60529
Insulation class	II per EN60730
Ambient temperature for operation	0 to 60 °C
Water temperatures in the valve	2 to 130 °C
Relative humidity	noncondensing
Weight	1.5 kg

### Application

The Honeywell VMM actuator is designed to provide floating control in Greenhouse heating and air conditioning systems. High control performance and a robust design are standard for this actuator. In combination with the valve DR-ZR serie, it is possible to control very exact heating and cooling water temperatures. The mechanical interface between actuator and valve is designed for reliable operation. Actuators with torques from 20 Nm up to 40 Nm are available for a wide range of rotary mixing valves (DIN 15 up to DIN 150).

### Specification per actuator

Torque [NM]	Order Number Actuator 24Vac floating	Order number Actuator 230Vac floating	Run Time [min/90°]
20	VMM20-24	VMM20	1.6
30	VMM30-24	VMM30	2.3
40	VMM40-24	VMM40	3.5

### Operation

The actuator is powered by a synchronous motor. The spindle of the actuator rotates 90°. In the end positions the motor is switched off by endswitches.

Manual operation declutches the gear from the valve. As soon the actuator is powered, the valve is driven by the actuator again.

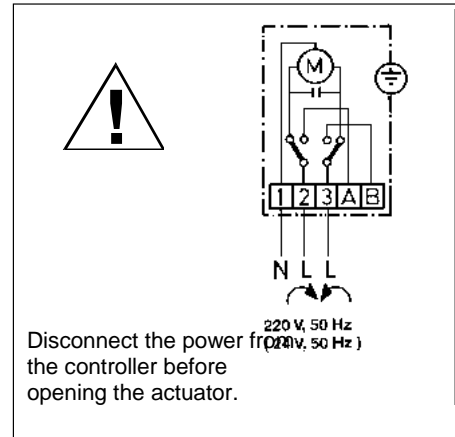
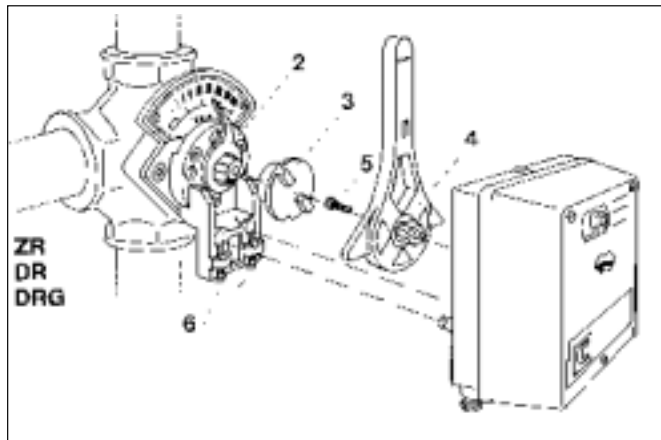
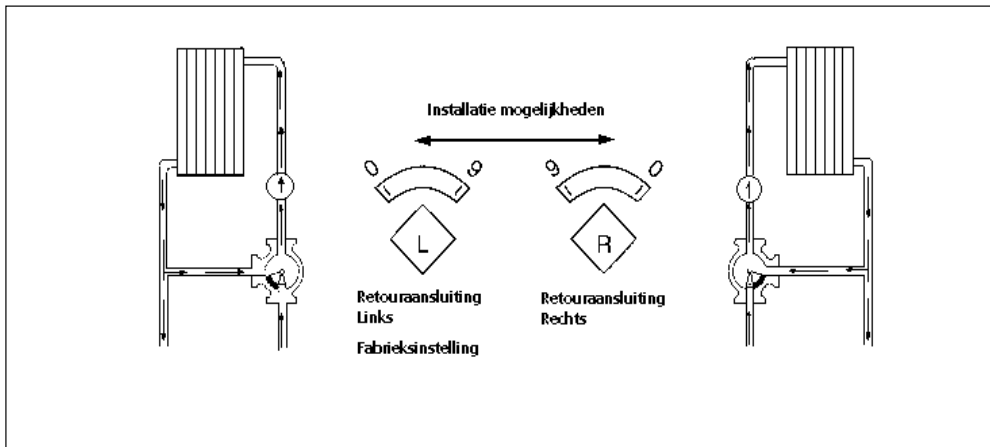
There is no adjustment necessary. The actuator is maintenance-free.

### Suitable valves

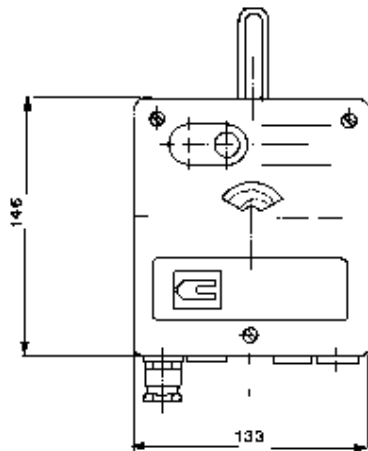
DR; ZR

### Mounting on the valve

Before mounting the actuator, position the rotary valve according to its installation instruction.

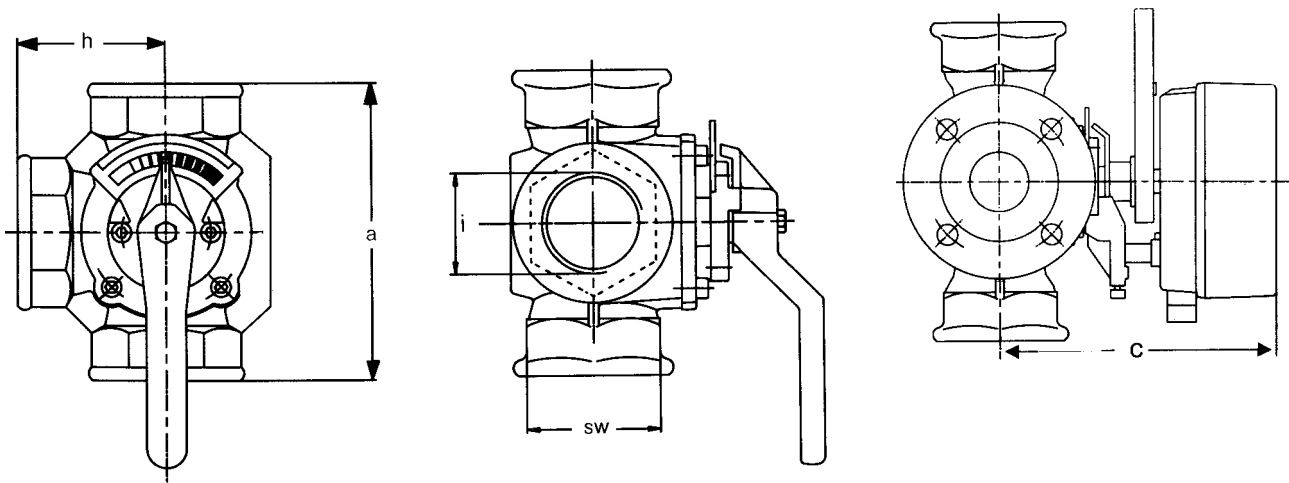


## Dimensions (mm)



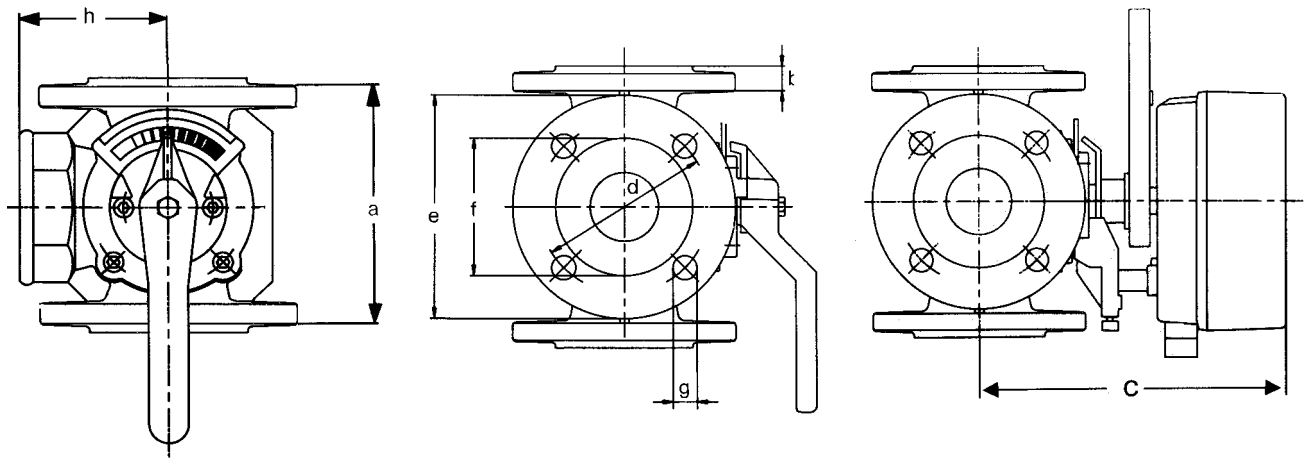
## Dimensions with DR..G.LA (mm)

Type	DN	a	c	SW	h	i
DR15 GMLA	15	110	179	41	55	R ½ in.
DR20 GMLA	20	110	179	46	55	R ¾ in.
DR25 GMLA	25	115	179	50	58	R 1 in.
DR32 GMLA	32	140	188	60	70	R 1 ¼ in.
DR40 GMLA	40	150	188	65	75	R 1 ½ in.



## Dimensions with DR.. GFLA DR.. FA (mm)

Type	DN	a	b	c	d	e	f	g	h
DR 20 GFLA	20	140	15	179	65	90	50	4x11	70
DR 25 GFLA	25	150	15	179	75	100	60	4x11	75
DR 32 GFLA	32	160	17	188	90	120	70	4x14	80
DR 40 GFLA	40	170	16	188	100	130	80	4x14	85
DR 50 GFLA	50	190	16	202	110	140	90	4x14	95
DR 65 GFLA	65	210	16	219	130	160	110	4x14	105
DR 80 GFLA	80	250	18	219	150	190	128	4x18	125
DR 100 GFLA	100	270	18	240	170	210	148	4x18	135
DR 125 GFLA	125	310	20	267	200	240	178	8x18	155
DR 150 GFLA	150	330	20	274	225	265	202	8x18	165
DR200GFLA	200	390	22	314	280	320	258	8x18	195



# Honeywell

### Home and Building Control Products

Honeywell AG  
 Böblinger Straße 17  
 D-71101 Schönaich  
 Phone (49-7031) 637-01  
 Fax (49-7031) 637-493

*Helping You Control Your World*

Subject to change without notice.

Printed in Germany.

Manufacturing location is certified to

**DIN EN**  
**ISO 9001**