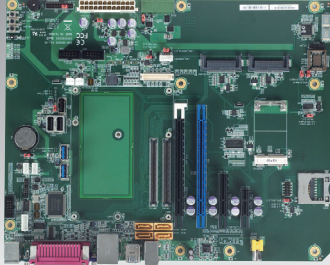


SOM-DB5800

COM Express® Development Board for Type 6 Pin-out

Preliminary



CE FCC

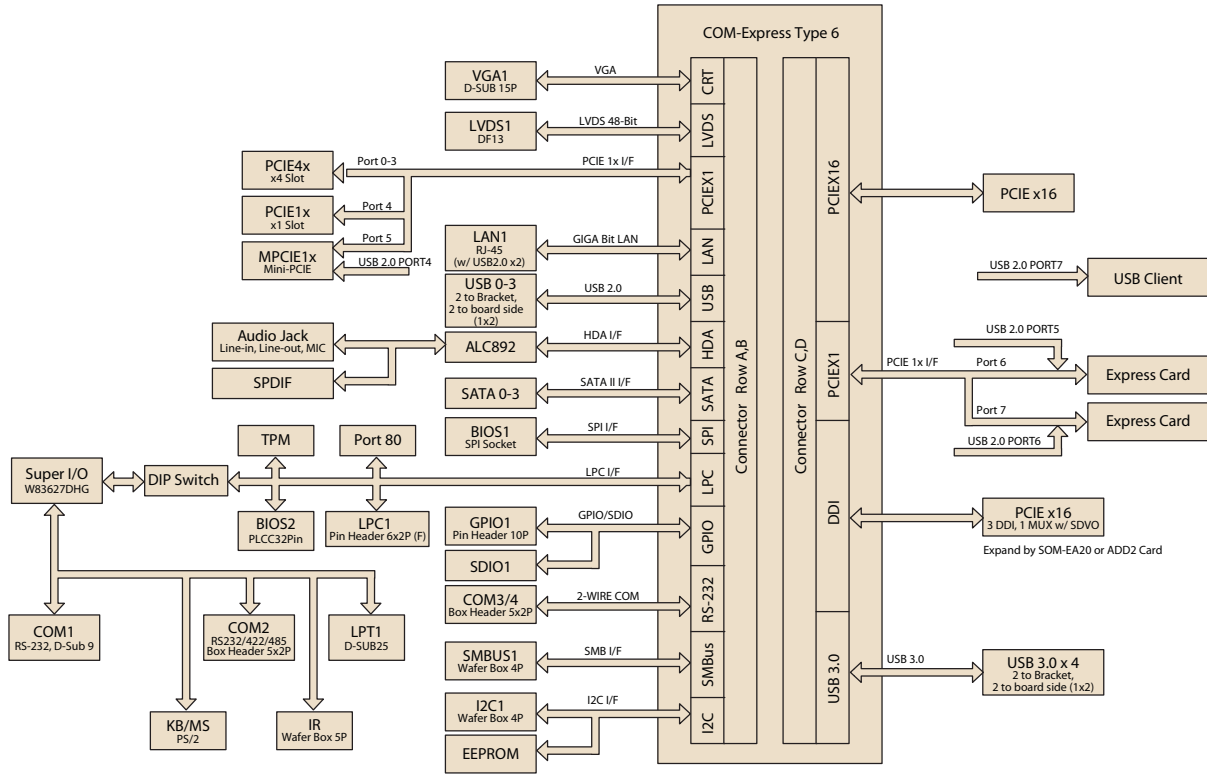
Features

- COM Express® Development Board Compliant to PICMG COM.0 R2.0 Type 6 Pin-out
- COM Express Basic/Compact/COM-Ultra module compatible
- ATX form factor with both ATX & AT power support
- Display Type: VGA, LVDS, HDMI/Displayport Expand by SOM-EA20
- Expansion: PCIe x16, PCIe x4, PCIe x1, Mini-PCIe, Express Card

Specifications

Compatible Models		Advantech COM-Express Basic Modules (125 x 95 mm), COM-Express Compact Modules (95 x 95 mm) and COM-Ultra Modules (84 x 55 mm) series
Display	LVDS	18/24-bit single or dual channel
	VGA	1 (D-SUB 15P Female)
	HDMI/Displayport	Up to 3 ports (Expand by SOM-EA20)
Ethernet		1 x Giga LAN
Audio	Chipset	Realtek ALC892 HD Audio (Line-in, Line-out, MIC, SPDIF)
Expansion	PCIe x16	1
	PCIe x4	1
	PCIe x1	1
	Mini-PCIe	1
	Express Card	2
	LPC	1
I/O	SATA	4 (Type B)
	USB2.0	8 Port Host, include 1 Port Client
	USB3.0	4 Port
	Serial	4 COM Ports 1 x RS-232 (D-SUB 9P), 1 x RS-232/422/485, 2 x 2-Wire RS-232
	KB/MS	1
	LPT	1 (D-SUB 15P)
	GPIO	8
	SDIO	1 (Mux with GPIO)
	SMBus	1
	I2C	1
	SPI	1
	Fan	2 (1 from Module support iManager Smart Fan)
	Port 80	1
	TPM	1
Power	Power Type	ATX/ AT modes
Environment	Operating Temperature	0 ~ 60° C (32 ~ 140° F)
	Operating Humidity	0% ~ 90% relative humidity, non-condensing
Mechanical	Dimensions	304.8mm x 244mm (12" x 9.6")

Board Diagram



Ordering Information

Part No.	Description
SOM-DB5800-00A1E	COM-Express Development Board for Type 6 Pin-out

Packing List

Part No.	Description	Quantity
	SOM-DB5800 COM-Express Development Board	1
1700008894	Serial ATA Cable 7P/7P 30 cm	1
1701100300	Flat COM Port Cable	1

Optional Accessories

Part No.	Description
SOM-EA00-00A1E	COM-Express Type 10 Middle Board for SOM-DB5800
SOM-EA20-00A1E	HDMI/Displayport Riser Card for SOM-DB5800