

**5.6" QVGA/5.7" VGA AFOLUX PPC**

**AFL-057A-LX**

**AMD Geode LX-800 500 MHz Processor**



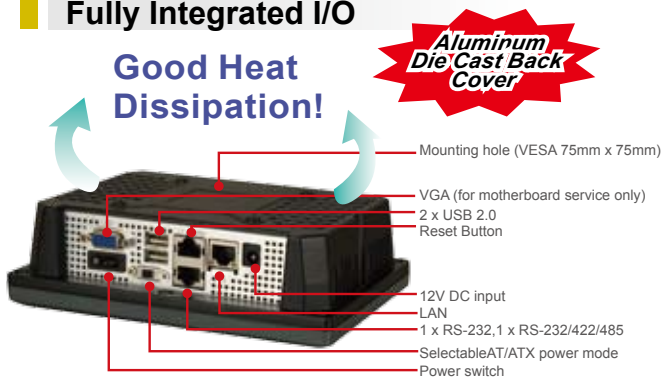
**Features**

- 5.7" VGA TFT LED backlight LCD with resistive touch screen
- Compact design with plastic housing
- Fanless cooling system with aluminum die-casting back cover
- Selectable AT/ATX power mode
- System memory up to 1 GB SDRAM
- Built-in 802.11b/g Wireless LAN
- Built-in Bluetooth module
- Built-in two 1.5 W speakers
- One compact flash slot
- IP 64 compliant front panel

**Specifications**

<b>Model</b>	<b>AFL-057A-LX</b>
<b>LCD Size</b>	5.7"
<b>Max Resolution</b>	640(W) x 480(H)
<b>Brightness (cd/m<sup>2</sup>)</b>	400
<b>Contrast Ratio</b>	300:1
<b>LCD Color</b>	262K
<b>Pixel Pitch (mm)</b>	0.06(W) x 0.18(H)
<b>Viewing Angle (H-V)</b>	140°/100°
<b>Backlight MTBF</b>	50,000 hrs
<b>SBC Model</b>	AFLMB-LX2-800
<b>CPU</b>	AMD Geode™ LX 800 (500Mhz)
<b>Chipset</b>	AMD LX800 + AMD CS5536
<b>RAM</b>	Supports one 333MHz or 400MHz DDR SO-DIMM (1GB Max.)
<b>I/O Ports</b>	1 x RJ45 for RS232 COM Port 1 x RJ45 for RS232/422/485 COM Port 2 x USB 2.0 1 x RJ45 for 10/100Mbps LAN 1 x VGA Port 1 x Power Switch 1 x Reset Button 1 x Power Jack
<b>SSD</b>	CF Typell
<b>Watchdog Timer</b>	Software Programmable supports 1~255 sec. System Reset
<b>Audio</b>	AMP 1.5W + 1.5W (internal speaker)
<b>Expansion</b>	1 x Wireless Lan 802.11 b/g Module (internal USB interface) 1 x Bluetooth Function (internal USB interface, Bluetooth V2.0)
<b>Drive Bay</b>	N/A
<b>Optional HSUPA Module (support GSM 850, EGSM 900, DCS 1800 &amp; 1900)</b>	N/A
<b>Construction Front Panel</b>	ABS + PC Plastic front frame /Aluminum die casting body
<b>LED Function</b>	1 x LED on Front Panel for Power ON/OFF
<b>Mounting</b>	Panel, Wall, Rack, Stand or Arm mounting VESA 75 x 75mm
<b>Front Panel Color</b>	Gray 7539U
<b>Dimension (WxHxD) (mm)</b>	180 x 135 x 55
<b>Operation Temperature (°C)</b>	0~50 (°C)
<b>Storage Temperature (°C)</b>	-20 (°C) ~ 60 (°C)
<b>N/G Weight</b>	0.8 Kg
<b>IP Level</b>	Front Frame IP64
<b>Safety &amp; EMC</b>	CE / FCC / CB / CCC
<b>Touch Screen</b>	Resistive Type 4-Wire (touch controller IC is on board) /DMC6000 (Support RS-232 interface)
<b>Power Adapter</b>	P/N: 63000-FSP0361AD101C-RS 36W Power Adapter Input: 90VAC~264VAC, 50/60Hz Output: 12VDC
<b>Power Requirement</b>	12VDC
<b>Power Consumption</b>	15W

### Fully Integrated I/O

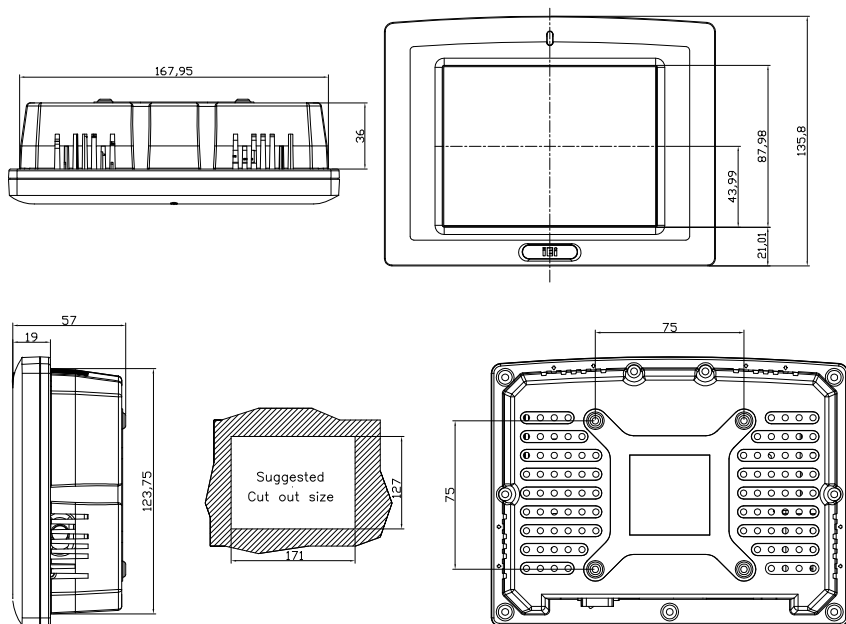


### Fanless Design

The mini size all-in-one Panel PC is designed with cast aluminum chassis which is ideal for demanding environments. The strong, rigid casings are corrosion-resistant and have good heat dissipation properties.

- Less down time
- Extended operational lives as they are not exposed to overheating problems caused by fan failures
- Reduce maintenance costs

### Dimensions (Unit: mm)



### Application: Factory Automation



### Ordering Information

Part Number	Description
AFL-057A-LX/WT-R/256MB	5.7" VGA fanless panel PC with AMD LX-800 CPU, AT/ATX mode, wireless module, touch screen and 256MB DDR RAM, Bluetooth, RoHS
AFL-057A-LX/WT-R/512MB	5.7" VGA fanless panel PC with AMD LX-800 CPU, AT/ATX mode, wireless module, touch screen and 512MB DDR RAM, Bluetooth, RoHS

### Options

Model	AFL-057-LX
Panel mounting kit	AFLPK-12
Wall mounting kit	AFLWK-12
Rack mounting kit	AFLRK-057
ARM	ARM-11-RS / ARM-31-RS
Stand	STAND-A08 / STAND-100-RS
VSTAND	VSTAND-A07
9~30VDC to 12VDC converter module	IDD-930160-KIT
OS: Win CE 5.0 (128 MB CF card)	AFLCF-057-LX-CE
OS: Win CE 6.0 (128 MB CF card)	AFLCF-057-LX-CE060
OS: Win XPE (1 GB CF card)	AFLCF-057-LX-XPE
OS: LINUX (2 GB CF card)	AFLCF-057-LNX-R10
Hybrid Card Reader	AFLP-08AMSI-U
Magnetic Stripe Reader	AFLP-08AMSR-U
DC 12V Input UPS	AUPS-A10-R10 (7.4V 3800mAH)
DC 9~36V Input UPS	AUPS-A20-R10 (7.4V 3800mAH)

### ISMM Support Functions

	Fan	Smart Fan	Temperature	WDT	Cash Drawer
AFL-057A-LX				V	

### Packing List

Item	Part Number	Q'ty	Specification
Screws Pack	44013-030041-RS	4	M3;5mm
Power Adpater	63000-FSP0361AD101C-RS	1	90~264V AC; 12V DC; 36W
Power Cord	32000-000002-RS	1	1750mm (EU or US, Which type of cord is shipped depends on the shipment country)
Utilities CD	7B000-000087-RS	1	
Touch Pen	XTR104-0002-RS	1	