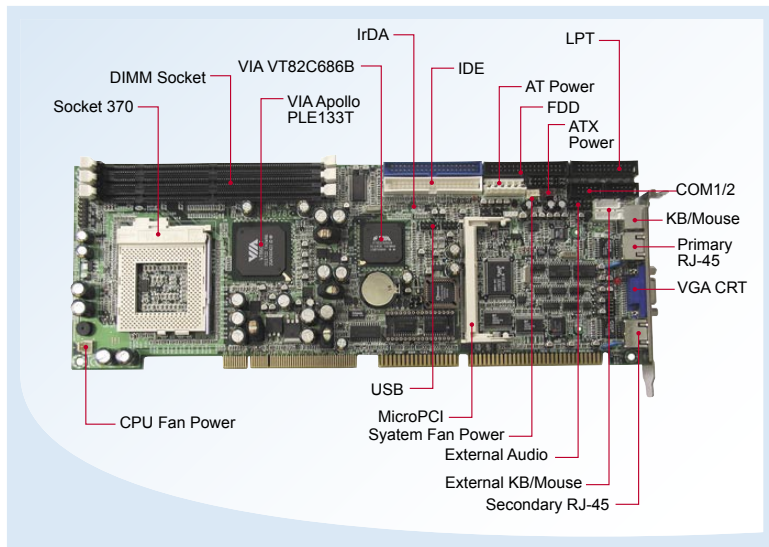


CPU Cards

IB780

Socket 370 Full-Size CPU Card w/ VIA PLE133T Chipset

Pentium® III-Based



>> Features

- Supports Pentium® III / Celeron® processors
Up to 1.4GHz, 66/100/133MHz FSB
- SDR DIMM x 3, Max. 1.5GB
- Integrated VGA, shared memory
- Integrated 10/100 BaseT Ethernet
- 4 x USB 1.1, ISA High Drive, Watchdog timer
- DiskOnChip®, 1 x MicroPCI socket

System

CPU	Socket 370 for Pentium® III / Celeron®, up to 1.4GHz
System Memory	SDR DIMM x 3, Max. 1.5GB
System Chipset	VIA Apollo PLE133T + VT8601T + VT82C686B, 66/100/133MHz FSB
BIOS	Award 2Mbit
Watchdog Timer	16 levels
SSD	DiskOnChip®
H/W Monitor	Yes
Expansion Slot	One MicroPCI socket

Graphics

VGA Controller	VIA VT8601T integrated
VGA Memory	Shared memory Max. 8MB
LCD Interface	via optional MicroPCI card

Ethernet

LAN Controller	Realtek 8139C LAN, 10/100Mbps Optional 2nd LAN via MicroPCI
Connector	2 RJ-45 on board

Multi I/O

Chipset	VIA VT82C686B built-in 2x IDE (UDMA33/66/100), 1x FDD, 1x KB, 1x Mouse, 1x RS-232, 1x RS-232/422/485, 1x LPT
USB	Pin header for 4 ports (USB 1.1)
Audio	Built-in audio + AC97 codec
Others	IrDA

Mechanical and Environmental

Dimensions	338mm x 122mm (13.31" x 4.8")
Max. Power Requirement	+5V: 15A +/- 12V: 0.5A
Operating Temperature	0°C~60°C (32°F~140°F)
Storage Temperature	-20°C~80°C (-68°F~176°F)
Relative Humidity	10%~90% (non-condensing)

Ordering Information

IB780	Socket 370 Full-Size PLE133T CPU card w/ VGA and Ethernet*
IB780A	Socket 370 Full-Size PLE133T CPU card w/ IBD741A audio card

* Remarks: Optional MicroPCI interface cards are available.

1

CPU Cards

Disk-Size SBCs

Motherboards

ETX & COM Express

CompactPCI

PC/104 Plus

Network Appliance

Baseboard & Backplane

MiniPCI
MicroAGP
& MicroPCI

For user's manual & datasheet download, visit www.ibase.com.tw