



CMC/SMC SERIES

**Solid State
Amplifiers**

1.0-1000 MHz

Features Include:

- *Digital Display Monitors:* Power Supply Currents, Voltage, Forward RF Power, Reflected RF Power, Total Hours, Operate Hours,
- *Status Indicators:* Power On, Standby, Operate,
- *Faults:* Overcurrent, VSWR Overload, Thermal Overloads, Power Supply
- *Controls:* AC Breaker On/Off, Standby, Operate, Fault Reset, Local/Remote
- Ease of Maintenance
- Designed to meet the safety requirements of the IEC-348 and Underwriters Laboratory of American Standards
- Broadband Coverage
- Applications Include: MIL-STD-461/462, RTCA/D0-160, SAE Specifications, Radiated Susceptibility, Bellcore testing, Broadband Communications.
- Ruggedized Versions are available for Shipboard and Airborne applications



Models And Specifications

Model Number	Frequency Range (MHz)	Min Pwr Out* (Watts)	Min Sat Gain* (dB)	Rack Type
CMC-10	1-1000	10	40	A
CMC-25	1-1000	25	44	A
CMC-50	1-1000	50	47	A
CMC-100	1-1000	100	50	B
CMC-120	1-1000	120	51	B
CMC-150	80-1000	150	52	B
CMC-200	80-1000	200	53	C
CMC-250	80-1000	250	54	C
CMC-500	80-1000	500	57	C
CMC-1000	80-1000	1000	60	D
CMC-2000	80-1000	2000	63	D
SMC-25	80-1000	25	44	A
SMC-50	80-1000	50	47	A
SMC-100	80-1000	100	50	A

INSTRUMENTS FOR INDUSTRY INC.

903 South Second Street, Ronkonkoma, NY 11779

Tel: 631-467-8400 • Fax: 631-467-8558 • E mail: sales@ifi.com

www.ifi.com

CMC / SMC

SERIES

Solid State Amplifiers

1.0-1000 MHz

Prime Power:

100/115/220/230 or 240VAC $\pm 10\%$ 50/60 Hz, single phase
 115/208 or 200/220/230/240VAC $\pm 10\%$ 50/60 Hz,
 three phase Wye, Delta and/or 400 Hz power is available

Mechanical

Dimensions: See chart below
 Weight: See chart below
 Cooling: Internal forced air

Remote Operation

GPIB, RS232, optional RS422, RS485, or TTL Remote Control

RF Specifications

Spurious Outputs: -40 dBc, maximum.
 -50 dBc, available.
 Input Impedance: 50 Ohms, VSWR 2.0:1
 Output Impedance: 50 Ohms, VSWR 2.0:1
 2.5:1 maximum.
 Input Connector: Type N (Female).
 Output Connector: Type N (Female)
 Type SC (Female)
 on over 1Kw models

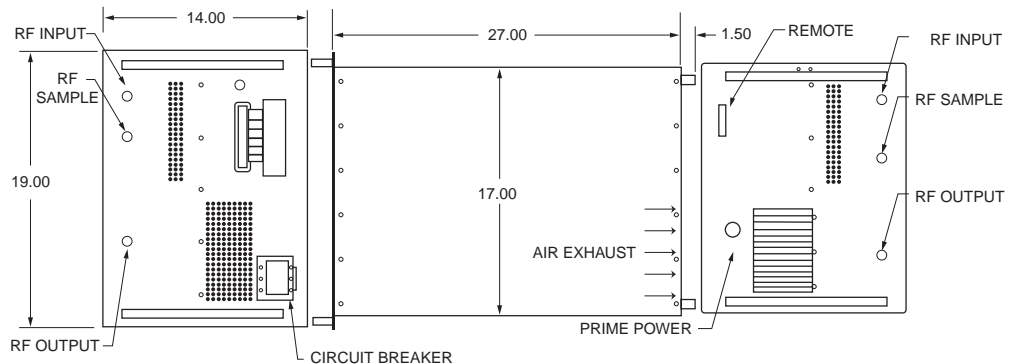
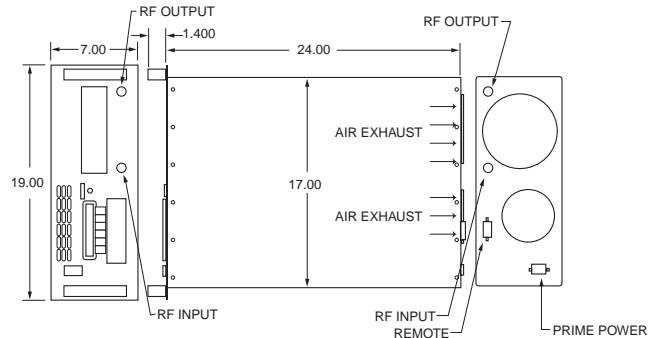
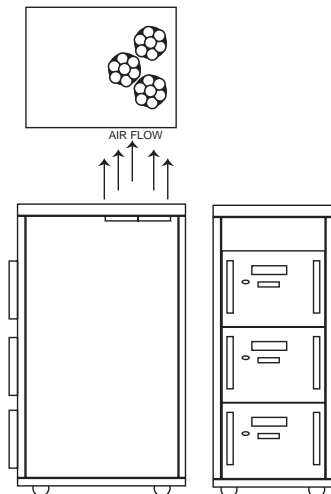
Environmental

Operating Temperature: 0 - 50°C (40°C @
 10,000 Feet)
 Relative Humidity: 95% (non-condensing)
 Operating Altitude: 10,000 feet maximum
 Non-operating Temp.: -20 to 70°C
 Non-operating Altitude: 50,000 feet maximum

Outline Drawing:

Specifications subject to change without notice

Type	Height	Width	Depth	Weight
(Rack Mount) A	7"	19"	24"	75 lbs.
(Rack Mount) B	14"	19"	27"	125 lbs.
(Cabinet) C	72"	22"	30"	700 lbs.
(Cabinet) D	80"	22"	30"	800 lbs.



To view typical performance data go to www.ifi.com/typdata.htm



INSTRUMENTS FOR INDUSTRY INC.

903 South Second Street, Ronkonkoma, NY 11779

Tel: 631-467-8400 • Fax: 631-467-8558 • E mail: sales@ifi.com

www.ifi.com