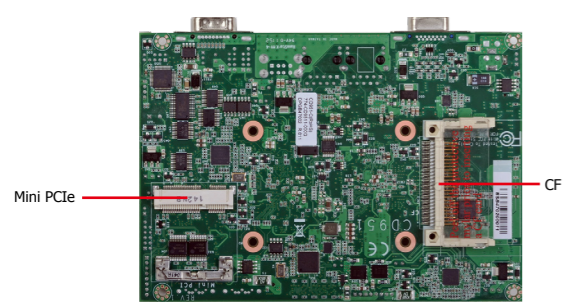


Top View



Bottom View

Features	
CHIPSET	Intel® NM10
CPU	Intel® Atom™ D2700 (-C2700) Intel® Atom™ N2800 (-C2800) Intel® Atom™ N2600 (-C2600)
MEMORY	1 DDR3 SODIMM up to 2GB
EXPANSION	1 Mini PCIe
GRAPHICS	VGA, LVDS
LAN	2 Gigabit LAN
DIMENSIONS	146mm x 102mm (5.75" x 4.02")

Specifications

- PROCESSOR**
- CD951-C2700:
    - Intel® Atom™ D2700, 2.13GHz, 2x 512K L2, 10W TDP, dual-core
    - Cooling option: heatsink with cooling fan
  - CD951-C2800:
    - Intel® Atom™ N2800, 1.86GHz, 2x 512K L2, 6.5W TDP, dual-core
    - Cooling option: heatsink (fanless solution)
  - CD951-C2600:
    - Intel® Atom™ N2600, 1.6GHz, 2x 512K L2, 3.5W TDP, dual-core
    - Cooling option: heatsink (fanless solution)

- CHIPSET**
- Intel® NM10 Express chipset
- SYSTEM MEMORY**
- One 204-pin DDR3 SODIMM socket
  - Supports DDR3 1066MHz (Intel® Atom™ D2700/N2800)
  - Supports DDR3 800MHz (Intel® Atom™ N2600)
  - Supports single channel memory interface
  - Supports up to 2GB system memory
  - DRAM device technologies: 1Gb, 2Gb and 4Gb DDR3 DRAM technologies are supported for x8 and x16 devices, unbuffered, non-ECC

- EXPANSION SLOTS**
- 1 mini PCIe x1 slot
  - 1 CompactFlash socket

- ONBOARD GRAPHICS FEATURES**
- Intel® GMA 3650 (Intel® Atom™ D2700/N2800)
  - Intel® GMA 3600 (Intel® Atom™ N2600)
  - Supports LVDS and VGA interfaces
  - LVDS: Chrontel CH7511B, 24-bit, dual channel
  - VGA display resolution up to 1920x1200
  - Supports Hardware H.264/AVC, MPEG-2 video decoder, VC-1, DirectX 9, 1080p decoder

- ONBOARD AUDIO FEATURES**
- Realtek ALC886 5.1-channel High Definition Audio

- ONBOARD LAN FEATURES**
- 2 Intel® 82574 Gigabit Ethernet Controllers
  - Integrated 10/100/1000 transceiver
  - Fully compliant with IEEE 802.3, IEEE 802.3u, IEEE 802.3ab
  - Supports wire management

- SERIAL ATA (SATA) INTERFACE**
- Supports 2 Serial ATA interfaces
  - SATA 2.0 with data transfer rate up to 3Gb/s
  - Integrated Advanced Host Controller Interface (AHCI) controller

- IDE INTERFACE**
- JMicron JMB368 PCI Express to PATA host controller
  - Supports 1 CompactFlash interface

- REAR PANEL I/O PORTS**
- 1 DB-9 RS232 serial port
  - 1 DB-15 VGA port
  - 2 RJ45 LAN ports
  - 2 USB 2.0/1.1 ports
  - 12V DC-in jack

- I/O CONNECTORS**
- 2 connectors for 4 external USB 2.0/1.1 ports
  - 5 connectors for 5 external serial ports
    - 1 connector supports RS232/422/485
    - 4 connectors support RS232
  - 1 LVDS LCD panel connector
  - 1 LCD/inverter power connector
  - 1 8-bit Digital I/O connector
  - 1 front audio connector for line-out and mic-in jacks
  - 2 Serial ATA ports
  - 1 chassis intrusion connector
  - 1 front panel connector
  - 2 fan connectors

- BIOS**
- AMI BIOS
  - 16Mbit SPI BIOS

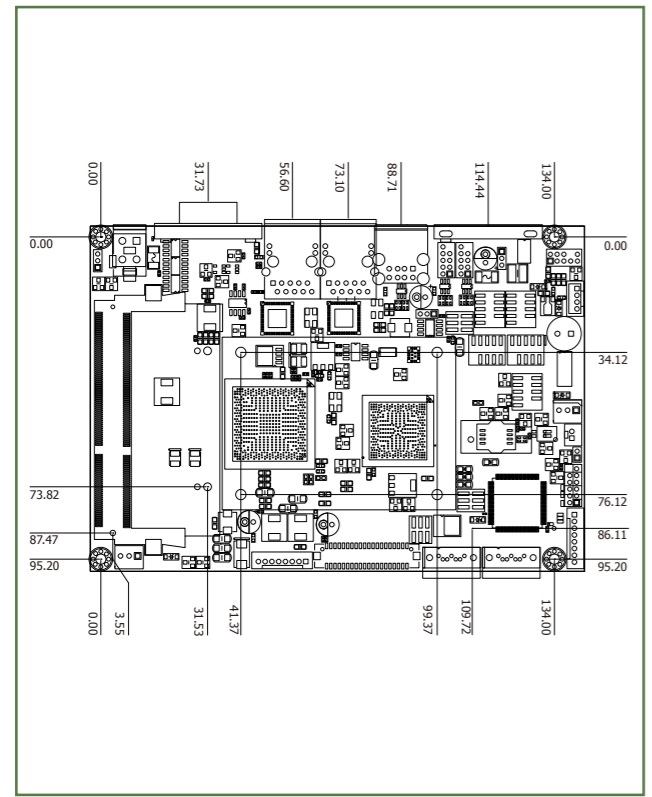
- ENERGY EFFICIENT DESIGN**
- Supports ACPI
  - System Power Management
  - Wake-On-Events include:
    - Wake-On-PS/2 KB/Mouse
    - Wake-On-USB KB/Mouse
    - Wake-On-LAN
    - RTC timer to power-on the system
  - CPU stopped clock control
  - AC power failure recovery
- DAMAGE FREE INTELLIGENCE**
- Monitors CPU/system temperature and overheat alarm
  - Monitors Vcore/5V/3.3V/V\_DIMM/12V/5VSB voltages and failure alarm
  - Monitors CPU/system fan speed and failure alarm
  - Read back capability that displays temperature, voltage and fan speed
  - Watchdog timer function

- TEMPERATURE**
- Operating: 0°C to 60°C
  - Storage: -20°C to 85°C

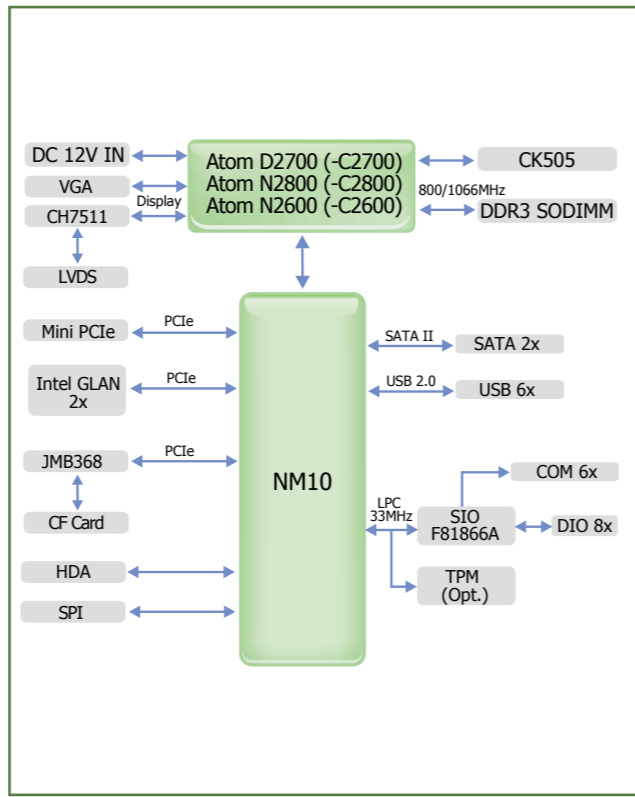
- HUMIDITY**
- 10% to 90%

- DIMENSIONS**
- 3.5" board
  - 146mm (5.75") x 102mm (4.02")

Mechanical Drawing



Block Diagram



Packing List

- 1 CD951-C board
- 2 Serial ATA data cables
- 1 USB port cable (with bracket)
- 2 COM port cables (with bracket)
- 1 DVD
- 1 QR (Quick Reference)

Optional Items

- Serial ATA data cables
- USB port cable
- COM port cable