

# PCE-7210

## Dual Socket 604 Intel® Xeon® / LV Xeon® Processor Card with PCI Express/IPMI/VGA/Dual Gigabit LAN

**NEW**



### Features

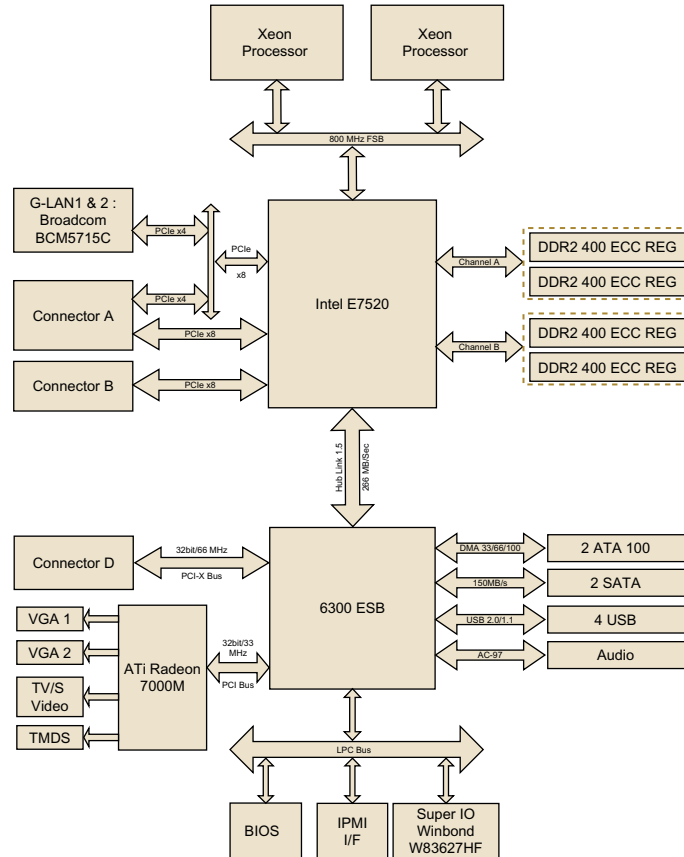
- Compliance with PICMG 1.3
- Supports single/dual socket 604 Intel® Xeon® /LV Xeon® 800 MHz FSB
- Supports dual channel DDR2 400 ECC registered SDRAM up to 8 GB
- Two PCIe x8 and one PCIe x4 links to backplane
- Dual Gigabit Ethernet via PCIe x4 port
- On board IPMI module (optional)
- 2 SATA HDDs support S/W SATA Raid 0,1



### Specifications

Processor System	CPU	Dual Intel® Xeon® /LV Xeon® processors					
	Max. Speed	3.6 GHz					
	L2 Cache	2 MB					
	Chipset	Intel E7520+6300ESB					
	BIOS	Award 4 Mb FWH					
	Front Side Bus	800 MHz					
Bus	PCI-Express	Two x8 & One x4 to back plane; one x4 for LAN chip					
	PCI	32bit/66 MHz PCI-X					
Memory	Technology	Dual-channel DDR2 400 MHz (ECC Registered DIMMs)					
	Max. Capacity	8 GB					
	Socket	240-pin DIMM x 4					
Graphic	Controller	ATI RADEON 7000M (PCI 32 bit/33 MHz)					
	VRAM	16 MB frame buffer memory					
	Video Output	15 pin CRT connector x1 (up to 2048 x 1536 at 60 Hz), VGA2, TV-out, S-video, DVI					
Ethernet	Interface	10/100/1000Base-T					
	Controller	LAN1& 2: Broadcom 5715C ( Dual Gigabit port)					
	Connector	RJ45 with LED connector x 2					
SATA	Max. Data transfer rate	150MB/s					
	Channel	2					
EIDE	Mode	ATA 100/66/33					
	Channel	2 (Max. 4 devices)					
PCI expansion (optional )		32-bit, 33MHz PCI expansion slot, it can be used for SCSI board or PCA-GIGA and etc...					
GPIO		GPIO pin x 8					
I/O Interface	USB	Max. 4 (USB 2.0 compliant) to Backplane					
	Serial	3 (RS-232) with Pin Header					
	Parallel	1 (SPP/EPP/ECP)					
	FDD	1					
	PS/2	1					
Watchdog Timer	Output	System reset					
	Interval	Programmable 1, 2, 4, 8,..., 256 sec					
Miscellaneous	Audio Output	AC-97 audio interface (requires an audio extension module P/N: PCA-AUDIO-00A1)					
Power Requirement	Typical	Intel® Xeon® 3.2GHz/2M/800/110W x 2; DDR2 2GB x 4					
		+12V	+5V	+3.3V	+5VSB	-12V	-5V
		20.5 A	3.28 A	11.51 A	0.42 A	0A	0A
Environment		Operating			Non-Operating		
	Temperature	0 ~ 60° C (32 ~ 140° F), depends on CPU's speed			-20 ~ 80° C (-40 ~ 176° F)		
Physical	Dimensions	338.58 mm (L) x 126.39 mm (W) (13.3" x 4.98")					

## Block Diagram



## Ordering Information

Part Number	IPMI	Gigabit LAN	VGA	RoHS
PCE-7210G2-00A1E	Optional	Dual	Yes	Yes

## Packing List

Part Number	Description	Quantity
1700340640	FDD cable	1
1701400452	Ultra ATA 66/100 HDD cables	2
1700071000	Serial ATA HDD data cable	2
1703150102	Serial ATA HDD power cable	2
1701260305	Printer + COM cable	1
1701092300	Dual COM port cable kit	1
1700060202	Y cable for PS/2 keyboard and mouse	1
1750000282	CPU cooler	2
1700000259	VGA cable	1
1700000784	Video Cable (S/Composite terminal)	1
9689000068	Jumper pack	1
-	Startup manual	1
-	Utility CD	1

## Accessories

Part Number	Description
PCA-AUDIO-00A1	Audio extension module
1700000821	DVI cable