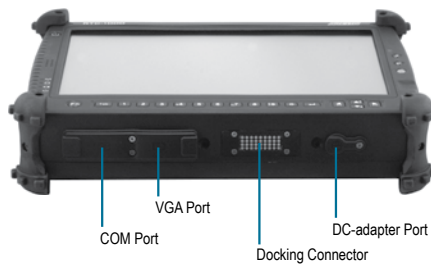
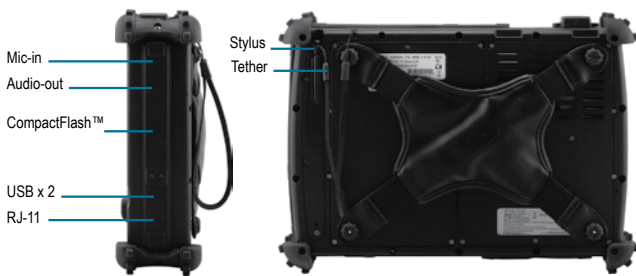
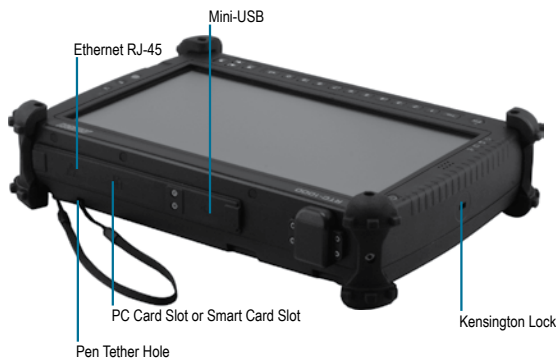
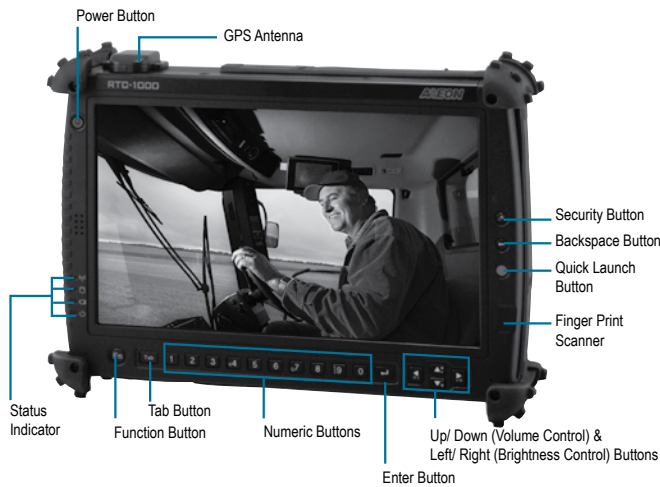


RTC-1000D

10.2" Rugged Tablet Computer

15

Rugged Tablet Computers



Features

- Intel® Core™ Duo Processor U2500 1.2 GHz
- DDR2 SODIMM Socket x 1, up to 2GB (Factory Optional)
- 10.2" WSVGA (1024 x 600) 500nits TFT LCD Sunlight Readable Display Optional
- 9-Cell Smart Lithium-Ion High-Capacity Battery, 5 Hours Battery Life
- Water and Dust Proof, IP-65 Compliance
- Touch Screen, Advanced Optibond Technology (AOT™)
- PCMCIA or Smart Card, CompactFlash™ Card Sockets
- Display Auto-Rotate Function Between Landscape & Portrait Mode (G Sensor Built-In)
- Supports Optional Wi-Fi, Bluetooth®, 3G, GPS
- Windows® Embedded Standard 7
- Numeric Keypad, Programmable Function Key & Customized Labeling Optional

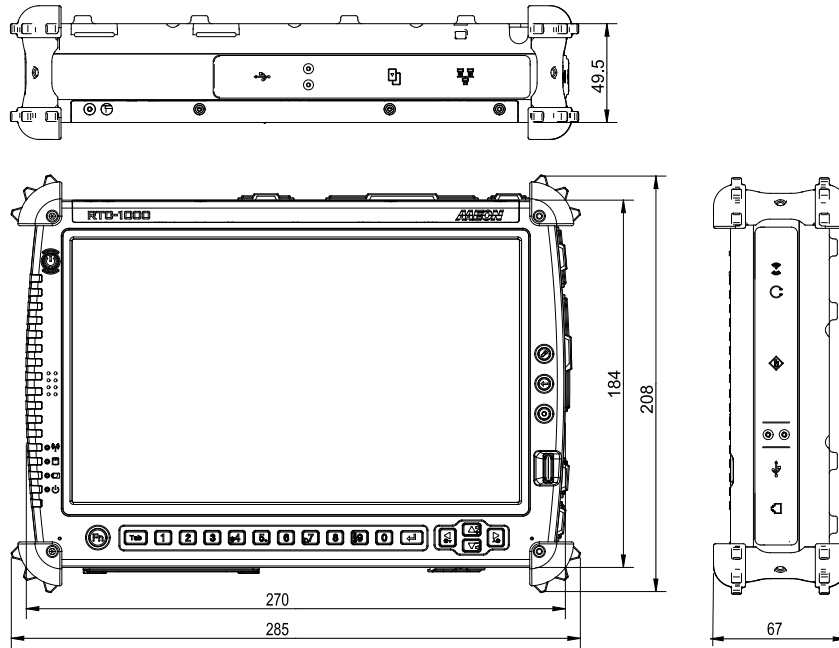


Specifications

System	
Processor	Intel® Core™ Duo U2500 1.2 GHz Processor
System Memory	200-pin DDR2 SODIMM Socket x 1, up to 2 GB (Factory Optional)
LCD / CRT Controller	Intel® 945GME
LCD Display	10.2" WSVGA (1024 x 600) TFT LCD with Touch Screen (AOT)
Communication	Gigabit Ethernet, RJ-45 x 1 56kbps V.92/K56 flex modem, RJ-11 x 1 WLAN 802.11 b/g + Bluetooth® 2.0 Class 1 3.5G Modem Module (Optional)
I/O Port	COM x 1 USB2.0 x 2 Mini USB x 1 VGA x 1 Docking port (contact pin with USB/COM/VGA/Power signal) x 1 Two Audio in/out jack for Microphone/ Earphone
Storage Disk	2.5" SATA Hard Disk/SSD
Expansion Slot	PCMCIA or Smart Card, Mini Card Slot x 2 (Internal), CompactFlash™ Slot
OS Support	Windows® Embedded Standard 7
Mechanical	
Construction	Al-Mg alloy
Color	Black
Dimension	10.63" (W) x 7.24" (D) x 1.93" (H) (270mm x 184mm x 49mm)
Carton Dimension	17.95" (W) x 11.69" (D) x 15.27" (H) (456mm x 297mm x 388mm)
Gross Weight	5 lb (2.3 kg), Including 9 cell battery, hand strap & bumpers
Environmental	
Operating Temperature	-4°F ~ 140°F (-20°C ~ 60°C)
Storage Temperature	-67°F ~ 167°F (-55°C ~ 75°C)
Operating Humidity	10 to 95% @ 40°C, non-condensing
Water & Dust Proof	IP-65 Compliance
Vibration	Meets Mil Std 810G-514.6, Procedure I Cat. 24, Fig. 514.6E-1 & 514.6E-2 (Unit is powered off) ASTM 4169-99 Truck Assurance Level 2, Schedule E (Unit is operating)
Drop	26 drops of 48 inches height to 2" plywood over concrete with unit off Mil Std 810G-516.6, Procedure IV
ESD	Air +/- 8KV, Contact +/- 4KV, IEC6100-4-2
EMC/ Safety	CE / FCC Class B / UL

RTC-1000D

Dimension Unit: mm



Power Supply	
AC/ DC Adapter	AC Power input: 100V-240V, 50Hz-60Hz, 65W DC Power output: 19V
Battery	353P 9cells Smart Li-on (7,800 mAh) battery, 5 Hrs Battery Life
LCD	
Display Type	10.2" 16:9 TFT LCD
Max. Resolution	1024 x 600
Max. Color	262K colors
Dot Size	0.2175 x 0.2175
Luminance	200/500 cd/m ² (optional)
View Angle	Vertical 60° (R) 60° (L) Horizontal 70° (U) 70° (L)
Touch Screen	
Type	4-wire, Analog Resistive
Resolution	1024 x 600
Light Transmission	≥85%

Ordering Information

- **TF-RTC-1000D1-TA-WB-1110**
Rugged Tablet Computer, Intel® Core™ Duo U2500 1.2 GHz, 10.2" 200 nits, DC91V, TS/AOT, 1 GB RAM, 80 GB HDD, Windows® Embedded Standard 7, WiFi, Bluetooth®
- **TF-RTC-1000D1-TAS-WB-1110**
Rugged Tablet Computer, Intel® Core™ Duo U2500 1.2 GHz, 10.2" 500 nits, DC19V, TS/AOT/Sunlight Readable, 1 GB RAM, 80 GB HDD, Windows® Embedded Standard 7, WiFi, Bluetooth®

Optional Accessories

- 3.5G Modem Module Kit
- GPS Module Kit
- Office Docking Station
- Vehicle Adapter
- Vehicle Dock