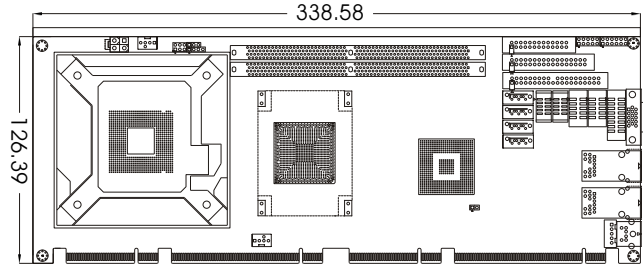
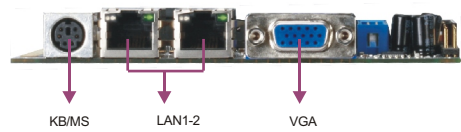
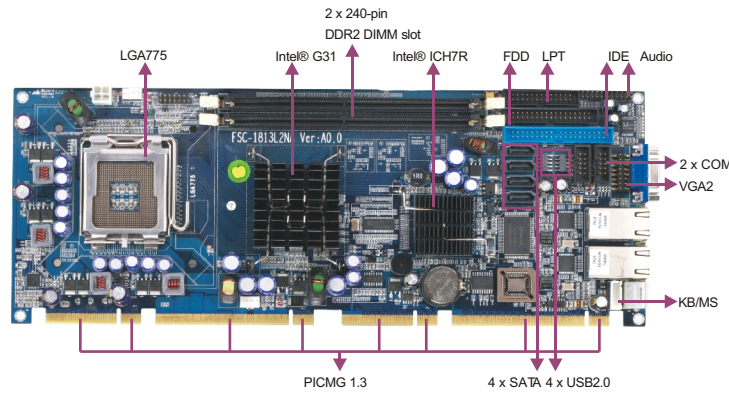


FSC-1813L2NA

Intel® Core™ 2 Quad/Duo PICMG1.3 CPU SBC with VGA/2LAN/Audio



Features

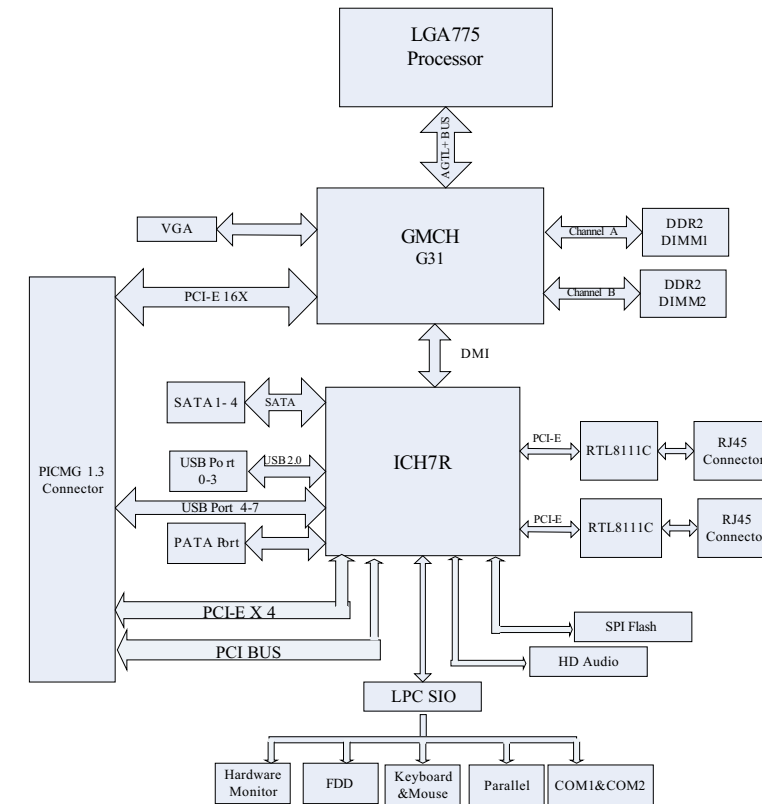
- PICMG1.3 specification compliant
- Supports latest Intel® Core™ 2 Duo, Intel® Core™ 2 Quad processor
- Supports up to 4GB of dual-channel DDR2 667/800 memory
- G31 chipset integrates Intel® GMA3100 high performance graphic controller
- Onboard 2 x GbE Controller
- Supports 8 x USB2.0, 2 x RS-232, 1 x parallel, 4 x SATA, 1 x IDE, 1 x FDD

Specifications

System	
Processor	Supports latest 45nm Intel® Core™ 2 Duo, Intel® Core™ 2 Quad processor, with 1066/1333MHz FSB Note: 1333 FSB is supported with Intel® Core™ 2 Duo processor only, and Intel® Core™ 2 Quad processor are supported up to 1066 FSB
Chipset	Intel® G31 + ICH7R
Memory	Supports 2 x 240-Pin DIMM, up to 4GB of dual-channel DDR2 667/800 memory
Hardware Monitor	Monitors the system voltage, temperature, fan speed, etc
Watchdog Timer	Software programmable, supports 1~255 sec./min. System reset/interrupt
Expansion Interface	PICMG 1.3 SHB Express
Storage	
IDE	1 x Ultra ATA66/100 interface
Serial ATA	4 x Serial ATA300MB/s ports, supporting RAID 0, 1, 5, 10
Floppy	1 x FDD port
I/O Interface	
USB	8 x USB2.0, available interfaces of 2 x 9-Pin header onboard, and 2 x 9-Pin header on backplane
Serial Port	2 x serial port, available interfaces of 1 x DB-9 port and 1 x 10-Pin header onboard
Parallel Port	1 x parallel port
GPIO	8-bit digital IO port
Audio	Onboard Realtek ALC888, supporting HDA, MIC-in/Line-in/Speaker-out

Display	
Display Controller	G31 chipset integrates GMA3100, compliant with DirectX 9.0c
Memory	384MB shared video memory
Resolution	VGA mode up to 2048 x 1536@85Hz
Dual Display	Supports VGA+VGA dual simultaneous display
Ethernet	
Ethernet Controller	2 x Realtek RTL8111C GbE
Speed	10/100/1000Mbps
Connector Interface	2 x RJ45 interface
Mechanical and Environmental	
Dimensions	338.59mm x 126.39mm
Operating Temperature	-15°C~66°C
Storage Temperature	-25°C~75°C
Operating Humidity	5%~95%, non-condensing
Power	
Power Supply	Supports ATX power supply
Power Consumption	Typical 69.5W(Intel® Pentium® D 915/2.8G CPU, 2 x 2GB DDR2 800 memory, backplane: PCI-6110E5)
Operating System	
Windows OS	Windows 2000/ Windows XP
Embedded OS	Linux/XP Embedded

Board Diagram



Available Accessories

Part Number	Name	Description	Qty.
N/A	Setup Guide/RoHS	AMI/BIOS Setup Guide (for CORE8)	1
N/A	User's Manual/RoHS	FSC-1813L2NA	1
N/A	Driver CD/Protective film/RoHS	FSC-1813L2NA	1
2330-000041	Jumper/RoHS	2.54mm pitch, blue	1
2340-001841	Cooler/RoHS	775 cooler/dual-ball bearing/CAP737A-2B/GP 4-line with bracket	1
2360-000271	Keyboard cable/RoHS	KB port to 5 Pin, L: 800mm/RoHS	1
2360-005031	Y-cable for KB/MS/RoHS	One mini-DIN port to two PS/2 ports, L: 250mm/RoHS	1
2360-006731	VGA cable/RoHS	DB15 connector (female) to 2x8 connector (female), L: 300mm	1
2360-008331	HDD flat cable/RoHS	DMA66/HDD/CABLE/40P/80-line/L: 450mm	1
2360-008351	Serial port cable/RoHS	DB9 connector to 2x5 Pin connector (2.54mm pitch), L: 300mm/RoHS	2
2360-008600	FDD flat cable	(34p-34p), L: 550mm	1
2360-010161	Parallel port cable /RoHS	DB25 connector to 2x13 Pin, L: 265mm/RoHS	1
2360-014781	Dual USB ports /RoHS	Two USB ports to one 10-Pin connector, L: 550mm/RoHS	2
2360-015361	Audio cable/RoHS	Audio port to 2x5 Pin connector, 2.54mm pitch, L: 300mm	1
2360-017961	SATAHDD cable/RoHS	SATA7 Pin to SATA7 Pin with elbow connector, L: 550mm/RoHS	1

Related Product

Item	Typical Recommendation
Intel® Series CPU	CoreTM 2 Quad: Q6600 2.4GHz/1066 CoreTM 2 Duo: E8400, E7400, E7300, E6400, E4300 Pentium® Dual Core: E2140, E1400 and Celeron® D 430, Pentium® D 915
4U Chassis + Backplane	4U Chassis Backplane PCI-6110E5
Power Supply	ATX, available 270W/350W/400W/500W

Ordering Information

Part Number	Model Number	Description
0030-000450	FSC-1813L2NA	Motherboard

1 Full-Size/Half-Size Slot CPU Cards

2 SBC/Motherboard Modules

3 Embedded Box PC

4 Network Application Computers

5 Industrial PC

6 HMI

7 EVOG Rugged Series

8 MCC Series

9 Chassis

10 Data Acquisition Boards & Modules

11 Accessories

1 Full-Size/Half-Size Slot CPU Cards

2 SBC/Motherboard Modules

3 Embedded Box PC

4 Network Application Computers

5 Industrial PC

6 HMI

7 EVOG Rugged Series

8 MCC Series

9 Chassis

10 Data Acquisition Boards & Modules

11 Accessories