

# Phoenix ATX Express™

## LONG-LIFE ATX MOTHERBOARD FEATURING PCI EXPRESS

DELIVERING BEST-IN-CLASS SCALABILITY,  
LONGEVITY AND HIGH PERFORMANCE



### PRODUCT HIGHLIGHTS

- Intel® Pentium® 4, Celeron® D, and Pentium D Processors
- Intel 945G Express chipset
- 533/800/1000 MHz FSB
- Supports up to 4GB Dual Channel DDR Memory
- Four (4) SATA2 (300MB/s) (supports RAID 0/1)
- Dual Gigabit Ethernet Ports
- Seven (7) to Ten (10) Year Guaranteed Production

### The Phoenix ATX Express™

is a long-life industrial motherboard with dual-core processor technology and PCI Express. Powered by the Intel® Pentium® 4 and Celeron® D embedded processors and the Intel 945G Express chipset. The Phoenix ATX Express was designed specifically for performance intensive industrial applications such as Medical, Security, Imaging, Industrial Automation, and Manufacturing.

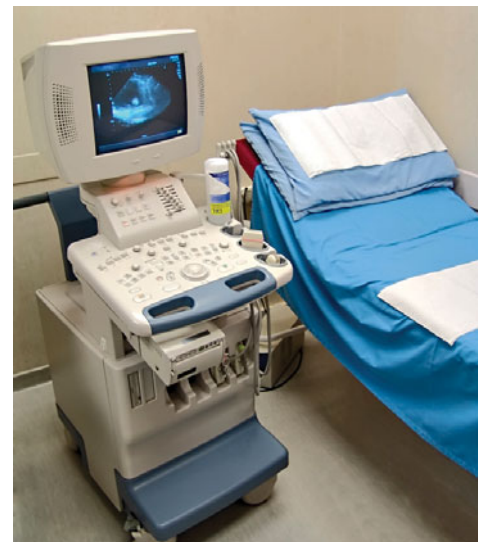
### APPLICATIONS

- Medical
- Oil and Gas
- Security and Surveillance
- Industrial Automation
- Gaming

The dedicated PCI Express x16 graphics slot supports the latest high-performance graphics cards, delivering over 3.5 times the power of legacy AGP 8X technology. This feature is ideal for graphic intensive embedded computing applications. The featured PCI Express x4 slot is capable of transferring 2 GB/s, (up to 3.5 times faster than standard PCI architecture).

The Phoenix ATX Express supports four (4) Serial ATA connectors (300MB/s) for high-speed hard disk drives, eight (8) USB 2.0 ports, one (1) or two (2) PCI Express-based 10/100/1000 ethernet ports, Intel High Definition Audio/AC'97 Audio and onboard Intel Graphics Media Accelerator.

Standard features include five (5) 32-bit PCI slots for legacy devices, two (2) PATA/100 EIDE connectors, two (2) or four (4) RS232 serial ports (factory configurable to RS422), one (1) parallel port, one (1) PS/2 mouse/ keyboard connector and a floppy controller.



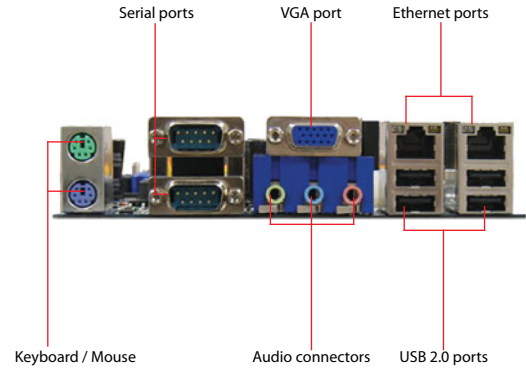
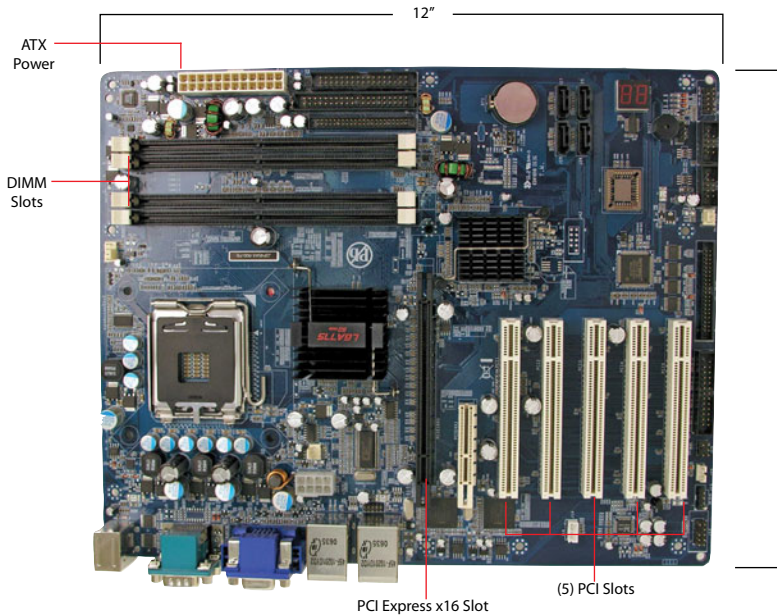
### OUR COMMITMENT TO QUALITY

All Corvalent products are designed and manufactured in an ISO 9001:2008 environment and backed by a seven (7) to ten (10) year production life cycle guarantee.



# Phoenix™ ATX Express

LONG-LIFE ATX MOTHERBOARD FEATURING PCI EXPRESS



## TECHNICAL SPECIFICATIONS

<b>Form Factor</b>	ATX
<b>Dimensions</b>	12.0" x 9.6"
<b>Microprocessor</b>	<b>Embedded:</b> Intel® Celeron® D, Intel Pentium® 4 with Hyper Threading and Intel Pentium 4 Processor (LGA775) <b>Commercial:</b> Intel Pentium D Processor
<b>Chipset</b>	Intel 945G Express + ICH7R
<b>Front Side Bus</b>	533/800/1000MHz
<b>Memory</b>	Four (4) DIMM sockets supporting up to 4GB of dual channel DDR2 667/533MHz memory
<b>System Bus</b>	One (1) PCI Express x16 graphics slot One (1) PCI Express x4 slot Five (5) 32-bit PCI slots
<b>Onboard I/O</b>	Four (4) SATA 2 connectors (300MB/s) Intel Matrix Storage Technology (RAID 0/1/5/10) One (1) 40-pin PATA/100 EIDE connector One (1) 44-pin PATA/100 EIDE connector (shared with the 40-pin connector) Eight (8) USB 2.0 Ports, (4) sockets, (4) headers Two (2) or four (4) RS232 serial ports standard-(DB9) (1) Factory configurable to RS422 Infrared support on COM2 through header One (1) PS/2 mouse/keyboard connector One (1) floppy connector (supports two drives)
<b>Video Graphics</b>	One (1) PCI Express x16 dedicated graphics slot. Single DB15 connector interface for onboard integrated graphics utilizing Intel Graphics media Accelerator 950 (Max Resolution: 2048x1536@75Hz)

<b>Ethernet</b>	One (1) or two (2) onboard PCI Express-based 10/100/1000 ethernet ports. Both ports support Wake-On-LAN.
<b>Audio</b>	Intel High Definition Audio/AC'97 Audio Microphone in, stereo line out, stereo line in jacks on I/O back-panel, AUX in and CD in on headers.
<b>Industrial Devices</b>	POST code diagnostics Hardware monitoring, including fans CPU temperature and voltages
<b>BIOS</b>	AMI®
<b>Battery</b>	Removable lithium battery for CMOS memory
<b>Operating Temp</b>	0°C to 55°C
<b>Non-Operating</b>	-40°C to 85°C
<b>Op. Humidity</b>	5 to 95% @ 40°C non-condensing
<b>Non-Operating</b>	5 to 95% @ 40°C non-condensing
<b>Part Number</b>	P45AX



1101 Arrow Point Drive, Building 5  
Cedar Park, TX 78613, USA  
toll free 888.776.7896 phone 512.456.2400  
fax 512.456.2404 info@corvalent.com

[www.corvalent.com](http://www.corvalent.com)