

# CG Series Single Pole Power Rocker Switches

## Features/Benefits

- Bevelled frame
- Illuminated versions available
- Easy panel mount installation

## Typical Applications

- Computers and peripherals
- Small appliances
- Instrument panels
- Industrial controls



## Specifications

CONTACT RATING: 16 AMPS @ 125 VAC, 10 AMPS @ 250 VAC (UL/CSA), 10 AMPS @ 250 VAC, 6 AMPS @ 250 VAC (VDE)  $\mu$  T85.  
ELECTRICAL LIFE: 10,000 make and break cycles at full load.  
INSULATION RESISTANCE:  $10^8 \Omega$  min.  
DIELECTRIC STRENGTH: 1,500 VRMS @ sea level.

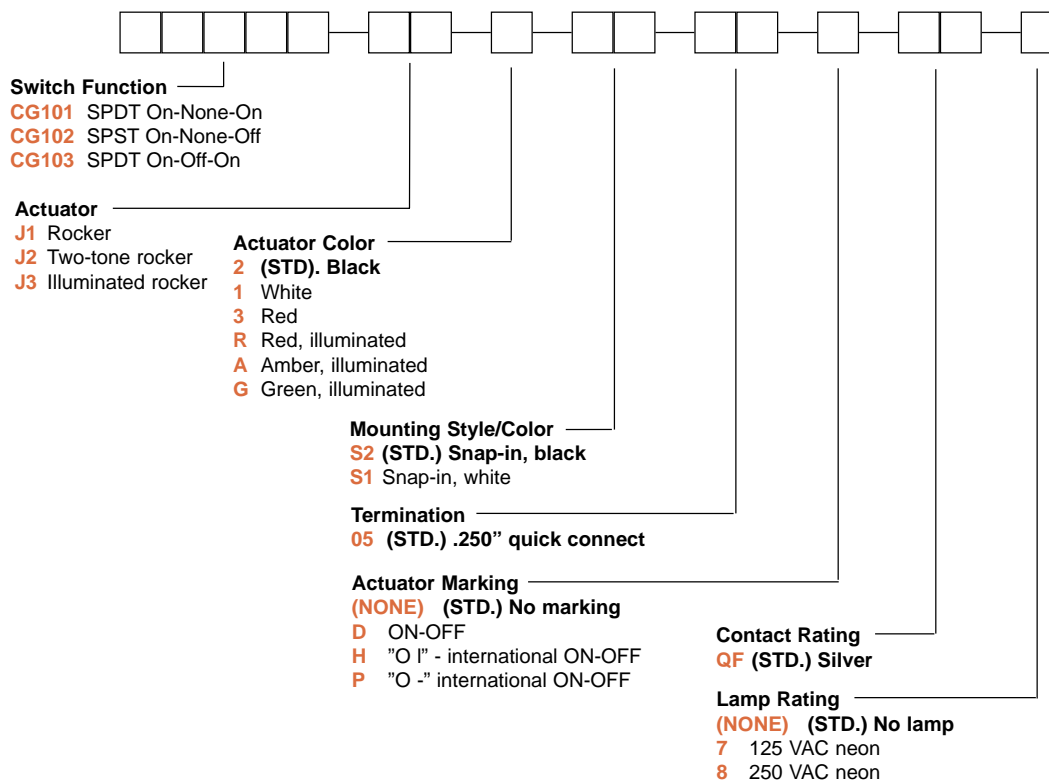
## Materials

HOUSING AND ACTUATOR: 6/6 nylon (UL94V-2), black, matte finish.  
ILLUMINATED ACTUATOR: Polycarbonate, matte finish.  
CENTER CONTACTS: Silver plated, copper alloy.  
END CONTACTS: Silver plated AgCdo.  
ALL TERMINALS: Silver plated, copper alloy.

**NOTE:** Specifications and materials listed above are for switches with standard options. For information on specific and custom switches, consult Customer Service Center.

## Build-A-Switch

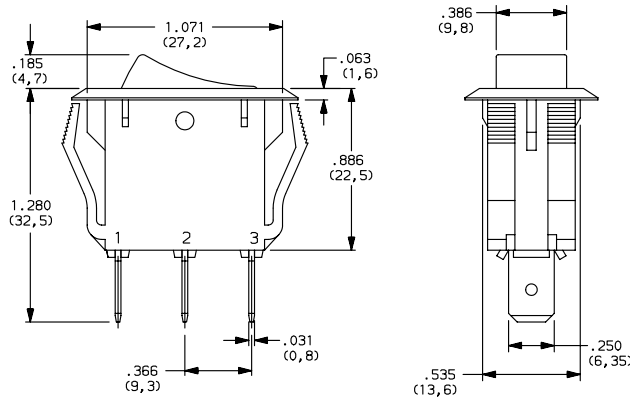
To order, simply select desired option from each category and place in the appropriate box. Available options are shown and described on pages 7 thru 9. For additional options not shown in catalog, consult Customer Service Center.



# CG Series Single Pole Power Rocker Switches

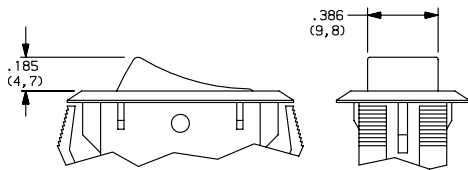
## SWITCH FUNCTION

NO. POLES	MODEL NO.	SWITCH FUNCTION			CONNECTED TERMINALS			SCHEMATIC
		C&K marking on opposite side			C&K marking on opposite side			
SP	<b>CG101</b>	ON	NONE	ON	2-3	N/A	2-1	
	<b>CG102</b>	ON	NONE	OFF				OR For Illuminated Version
	<b>CG103</b>	ON	OFF	ON				OPEN



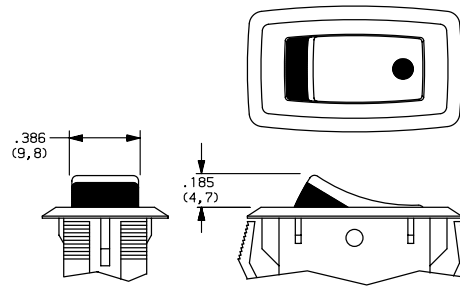
## ACTUATOR

- J1** ROCKER
- J3** ILLUMINATED ROCKER



NOTE: J3 actuator available with CG102 switch function only.

- J2** TWO-TONE ROCKER



NOTE: Available with CG102 switch function only.

# CG Series Single Pole Power Rocker Switches

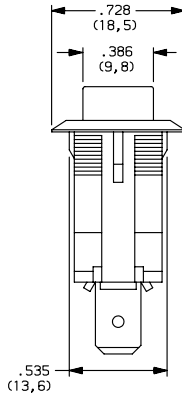
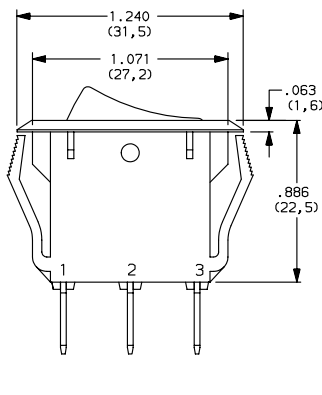
## ACTUATOR COLOR

OPTION CODE	ACTUATOR COLOR
<b>2</b>	(STD.) BLACK
<b>1</b>	WHITE
<b>3</b>	RED
<b>R</b>	RED, ILLUMINATED
<b>A</b>	AMBER, ILLUMINATED
<b>G</b>	GREEN, ILLUMINATED

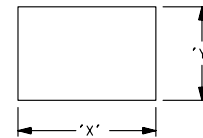
## MOUNTING STYLE/COLOR

**S2** (STD.) SNAP-IN, BLACK

**S1** SNAP-IN, WHITE



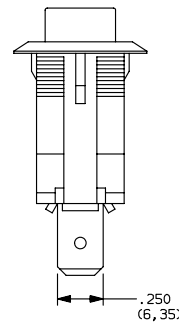
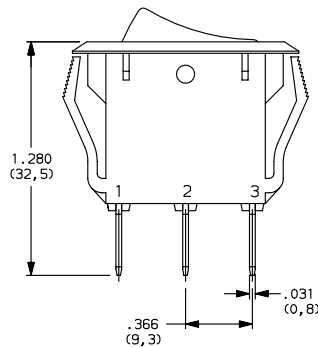
### PANEL MOUNTING



PANEL THICKNESS	"X"	"Y"
0.030-0.049 (0.75-0.25)	1.087-.004 (27,6-0,1)	0.543+.004 (13,8+0,1)
0.049-0.079 (1.25-2.0)	1.094-.004 (27,8-0,1)	0.543+.004 (13,8+0,1)
0.079-0.118 (2.0-3.0)	1.102-.004 (28,0-0,1)	0.543+.004 (13,8+0,1)

## TERMINATION

**05** (STD.) .250" QUICK CONNECT

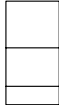


# CG Series Single Pole Power Rocker Switches

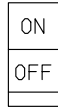
## ACTUATOR MARKING



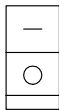
**NONE** (STD.) NO MARKING



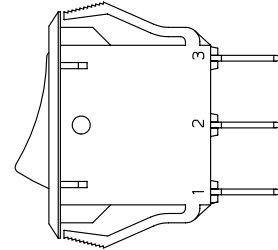
**D** ON-OFF



**H** O-I



**P** O-I



**NOTE:** Orientation of actuator marking and terminals.

## CONTACT MATERIAL



OPTION CODE	CONTACT AND TERMINAL MATERIAL	RATINGS	
<b>QF</b> (STD.)	COPPER	POWER	16 AMPS @ 125 VAC; 10 AMPS @ 250 VAC (UL/CSA) 10 AMPS @ 250 VAC (VDE) $\mu$ T85.

## LAMP RATING



**(NONE)** (STD.) NO LAMP

**7** 125 VAC 33k $\Omega$  NEON

**8** 250 VAC 150k $\Omega$  NEON

**NOTE:** Lamp rating for J3 actuator option.