

AdaptaHorn® Grille Type Hazardous Location Horn

*Diode Polarized,
Outdoor Rated, NEMA Type 4X*

878DEX & 879DEX Series

FEATURES

- > Diode polarized
- > Corrosion resistant heat flowed epoxy finish
- > Low current drain

The Edwards 878DEX AC & 879DEX DC Series are diode polarized, heavy-duty, high decibel, vibrating horn signals. They are intended for use in hazardous locations requiring electrical supervision of signaling circuit field wiring. May also be used for unsupervised signaling applications.

AGENCY APPROVALS

- > UL Listed for Class I, Division 1 and 2, Groups B, C, and D; Class II, Division 1 and 2, Groups E, F, and G; and Class III locations
- > UL Listed for outdoor locations
- > NEMA Type 4X Rated (Outdoor Type 4x applies to general signaling use in non-fire alarm applications)
- > CSA version available

Two mounting brackets are provided on either side of the unit for wall mounting. The housing is tapped on one side for 3/4" (19mm) conduit to allow for field wiring installation.

For use in dusty, hazardous atmospheres where a distinctive, urgent signal is required. Typical applications include use in mines, petroleum plants, gas plants, grain elevators, flour mills, paper mills, textile plants and tankers.

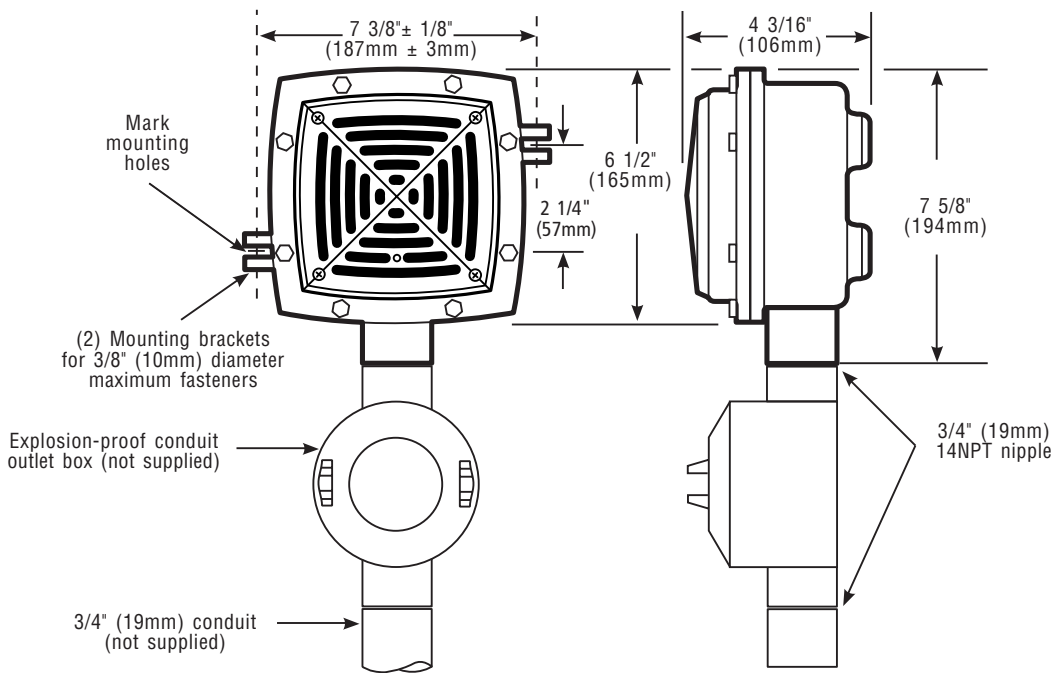
SPECIFICATIONS

- > Wide operating voltage range -20% to +10% of nominal voltage
- > Power connection wires embedded in sealing compound

D-04



TECHNICAL INFORMATION



Cat. No.	Volts	Amps	V A	DC coil Res. (Ohms)	dB at 10 Ft.
878DEX-N5	120V AC	0.13	15.6	150.0	97
879DEX-G1 [†]	24V DC	0.16	3.8	20.0	97

[†] Diode polarized version available in red. Order 889D-AW