

# R66M Series & Category 5 Non-Connectorized

■ Outside Plant for  
Business-Critical Continuity

## Key Features

- Impact-resistant molded housings provide long life and lower maintenance costs
- Notched fanning strips for ease of wire tracing, identification, and good housekeeping
- R66M150 blocks meet EIA/TIA-568 Category 5 specifications to exceed documented performance levels; conforms to state-of-the-art LAN systems for high speed data
- Category 5 provides network flexibility to handle emerging voice and data applications
- Category 5 supports data rates up to 100 megahertz per second for network flexibility
- UL Listed to meet or exceed documented performance levels

## Description

R66M series non-connectorized 12, 25 or 50-pair quick-clip blocks are manufactured of UL Listed 94 V-0 rated material and are designed for fast, easy termination of insulated solid copper wire. Blocks are easily stackable for higher pair counts.

The R66M series has a clip capacity of 50 horizontal rows by 4 vertical rows. Unstripped solid 20 to 26-gauge conductors (.4 to .8 mm) can be easily terminated using the industry standard 714-type punch-down tool (Emerson R714B).

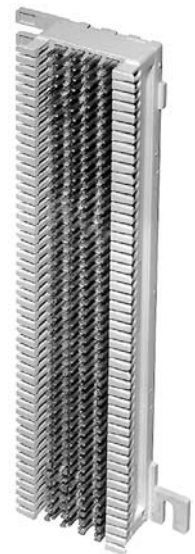
The Category 5 R66M150 blocks comply with EIA/TIA-568 Category 5 specifications, which recognizes only 24-gauge UTP (unshielded twisted pair) horizontal wiring. These blocks provide the highest transmission performance for speeds up to 100 megahertz per second, while decreasing attenuation, near-end crosstalk, and return loss.

R66M series blocks are supplied with integral fanning strips molded on each side of the block and notched every ten rows for easy identification. The blocks are also available mounted in gray or beige molded impact-resistant plastic housings.

## Application

R66M series blocks are used in equipment rooms to cross-connect key telephone and PBX systems. The blocks terminate 25 twisted pair station cable and have cross-connect features from key service units to station equipment. These blocks are also used to connect a private branch exchange to its stations. The R66M series is used on all types of customer premises and central office equipment, including T1 and data connections.

The Category 5 series give users the ability to support virtually all data and voice applications conforming to the level of wiring used with the block. When used with Level 5 wiring, the Category 5 series blocks support the most advanced applications such as FDDI over copper, and other high speed applications. The Category 5 series blocks with Level 4 wiring support data up to 20 megahertz for token ring or equivalent applications, and with Level 3 wiring, the block supports data up to 16 megahertz for T2 equivalent applications.

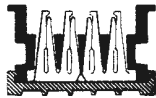


R66M150X

# R66M Series & Category 5 Non-Connectorized

## Clip Configurations

All dimensions are as measured in inches, with centimeter conversions in parentheses. Block depth is 1.25-in. (3.18 cm). Cover depth is 2.34-in. (5.94 cm).



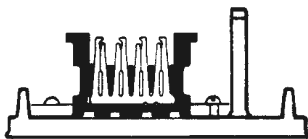
R66M112



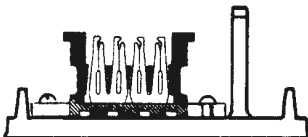
R66M125X



R66M150X

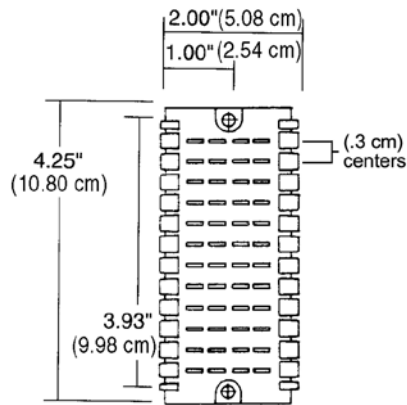


R66M125MH

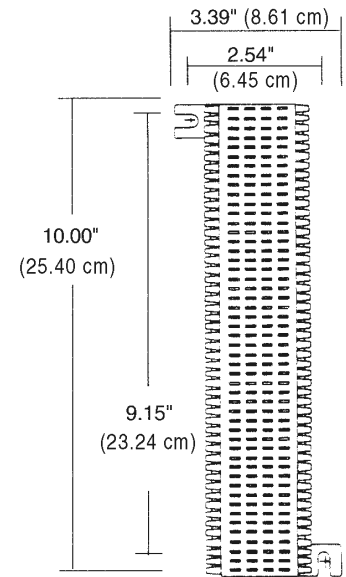


R66M150MH

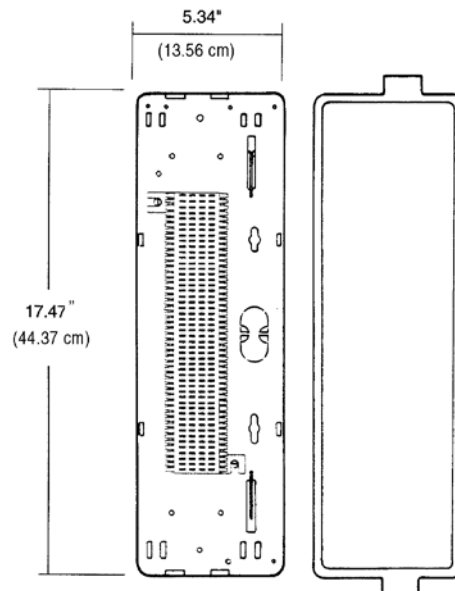
## R66M112



## R66M125X and R66M150X



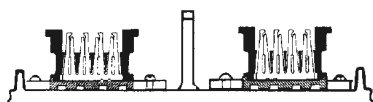
## R66M125MH and R66M150MH



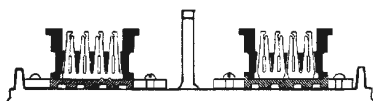
# R66M Series & Category 5 Non-Connectorized

## Clip Configurations

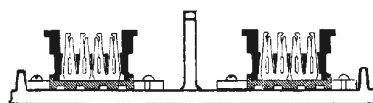
All dimensions are as measured in inches, with centimeter conversions in parentheses. Block depth is 1.25-in. (3.18 cm). Cover depth is 2.34-in. (5.94 cm).



R66M250MH

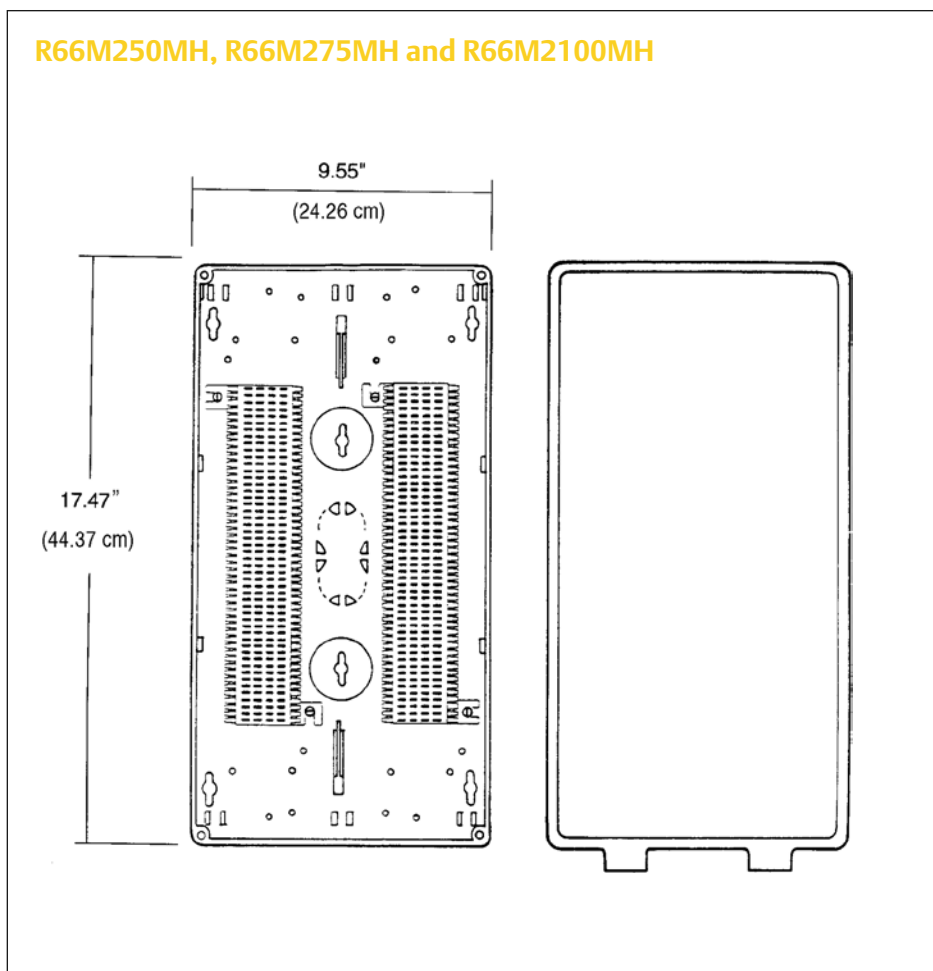


R66M275MH



R66M2100MH

## R66M250MH, R66M275MH and R66M2100MH



# R66M Series & Category 5 Non-Connectorized

## Ordering Information

Catalog Number	Part Number	Description	Pair Count	Common Clips	Std. Pkg.	Category 5
<b>M Series Blocks</b>						
R66M112	F015151	12-pair M block	12	2	25	
R66M125X	F015072	25-pair M block, bulk pack	25	4	50	
R66M150X	F015213	50-pair M block, bulk pack	50	2	50	√
<b>M Series Blocks With Plastic Base (white) and Cover (gray)*</b>						
R66M125MH	F015315	25-pair M block	25	4	5	
R66M150MH	F015317	50-pair M block	50	2	5	√
R66M250MH	F015319	(2) 25-pair M block	50	4	5	
R66M275MH	F015323	(1) 25-pair M block/ (1) 50-pair	75	4-2	—	
R66M2100MH	F015321	(2) 50-pair M block	100	2	5	√
<b>Empty Housings</b>						
P22314	F522314	Small beige housing, accommodates one block				
P22315	F522315	Large beige housing, accommodates two blocks				
P22338	F522338	Small gray housing, accommodates one block				
P22339	F522339	Large gray housing, accommodates two blocks				

\* If product is desired in a beige closure, place a B at the end of the catalog number.

NOTE: Not all catalog numbers can be configured. For brackets, covers, bridging clips, etc. see the "66 Block Accessories" in the Accessories section of this catalog.

## Emerson Network Power.

The global leader in enabling business-critical continuity.

- AC Power Systems
- Embedded Power
- Precision Cooling
- Connectivity
- Integrated Cabinet Solutions
- Services
- DC Power Systems
- Outside Plant
- Site Monitoring
- Embedded Computing
- Power Switching & Control
- Surge Protection

### Emerson Network Power Energy Systems

4350 Weaver Parkway, Warrenville, IL 60555  
Toll Free: 800-800-1280 (USA and Canada)  
Telephone: 440-246-6999 Fax: 440-246-4876  
www.EmersonNetworkPower.com/EnergySystems

© 2006 Emerson Network Power Energy Systems, North America, Inc. All rights reserved.

The Emerson logo is a trademark and a service mark of Emerson Electric Co. Emerson Network Power is a division of Emerson Electric Co.

Printed in USA

