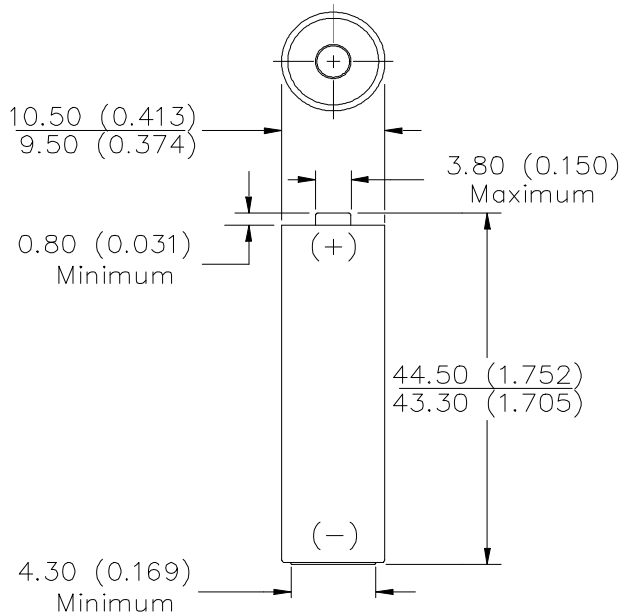


ENERGIZER NO. 1212



Industry Standard Dimensions in mm (inches)



AAA

SUPER HEAVY DUTY

Chemical System: Zinc-Manganese Dioxide (Zn/MnO₂)
(No Added Mercury or Cadmium)

Designation: ANSI-24D, IEC-R03

Battery Voltage: 1.5 Volts

Operating Temp: -18°C to 55°C (0°F to 130°F)

Average Weight: 9.7 grams (0.31 oz.)

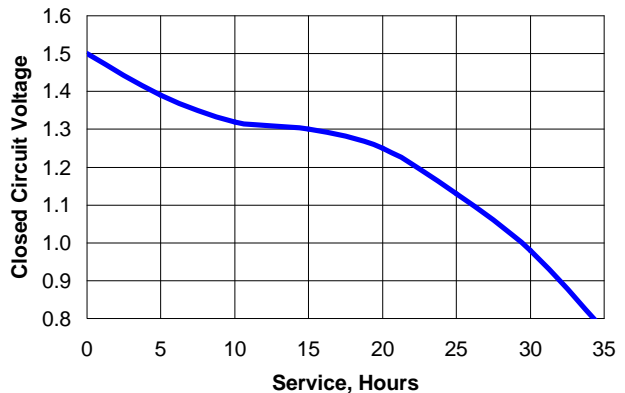
Volume: 4.0 cubic centimeters (0.2 cubic inch)

Average Capacity: 540 mAh to 0.8 volts
(Rated capacity at 16 mA continuous at 21°C)

Cell: One No. 12 (size "AAA")

Jacket: Metal

TYPICAL DISCHARGE CURVE
 Simulated Test @ 21°C (70°F)



Simulated Application Test Estimated Average Service at 21°C (70°F)

Schedule:	Typical Drains at 1.2V (milliamperes)	Load (ohms)	Cutoff Voltage		
			0.75	0.9V	1.0V
4 hours/day	16	75	35	32	29
			hours		
1 hour/day	120	10	210	160	130
			minutes		
4 min/hour 8 hours/day	235	5.1	110	90	70
			pulses		
15 sec/min 24 hours/day	333	3.6	240	175	130

INTERNAL RESISTANCE VS. TEMPERATURE

The measurement is an approximation of the battery's actual internal resistance. It is sensitive to the loads and operator technique.

Schedule:	Temperature	Typical Ri (ohms)
Background Load 750 ohms Pulse Load 5.1 ohms Pulse Duration 1 second	45°C (113°F)	0.5
	21°C (70°F)	0.6
	0°C (32°F)	0.7
	-21°C (-4°F)	10.0

Important Notice

This data sheet contains information specific to batteries manufactured at the time of its publication.

Contents herein do not constitute a warranty.

Copyright © Eveready Battery Co. Inc. - All Rights Reserved