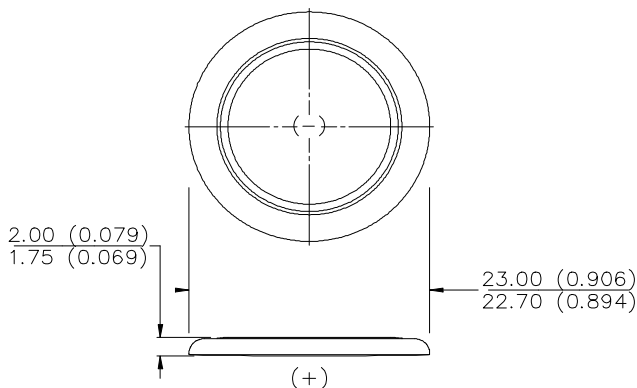


## ENERGIZER NO. CR2320



Industry Standard Dimensions in mm (inches)



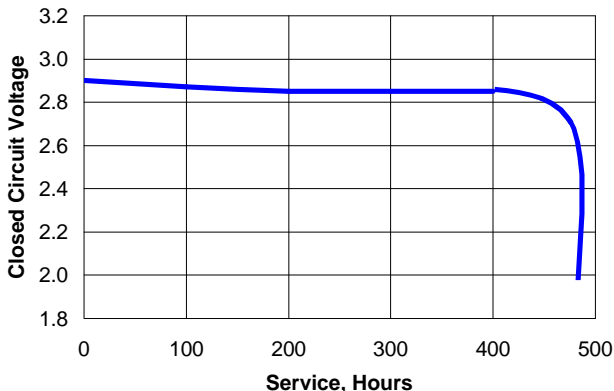
**Chemical System:** Lithium / Manganese Dioxide (Li/MnO<sub>2</sub>)

**Battery Voltage:** 3.0 Volts  
**Average Weight:** 3.3 grams (0.10 oz.)  
**Volume:** 0.83 cubic centimeters (0.05 cubic inch)  
**Average Capacity:** 135 mAh to 2.0 volts  
 (Rated at 10k ohms continuous at 21°C)

**Maximum Reverse Charge Current:** 1 microampere  
**Energy Density:** 119 milliwatt hr/g, 472 milliwatt hr/cc

### TYPICAL DISCHARGE CURVE

Simulated Test @ 21°C (70°F)



### Simulated Application Test Estimated Average Service at 21°C (70°F)

Schedule:	Typical Drains at 2.9V (microamperes)	Load (ohms)	Cutoff Voltage
			2.0V
24 hours/day	290	10,000	476 Hours

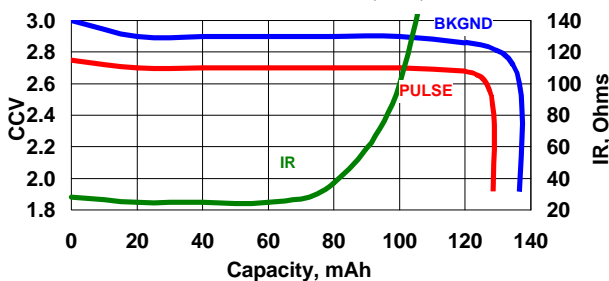
### INTERNAL RESISTANCE CHARACTERISTICS

#### Pulse Test @ 21°C (70°F)

- Schedule:** Continuous for background  
2 seconds X 12 times/day for pulse
- Typical Background Drain @ 2.9V (milliamps):**  
0.29 milliamperes
- Typical Pulse Drain @ 2.6V (milliamps):**  
8.60 milliamperes
- Background Load:**  
10k ohms
- Pulse Load:**  
300 ohms

### IR CHARACTERISTICS

Pulse Test @ 21°C (70°F)



### Important Notice

This data sheet contains information specific to batteries manufactured at the time of its publication.

**Contents herein do not constitute a warranty.**

Copyright © Eveready Battery Co. Inc. - All Rights Reserved