

INPUT CHARACTERISTICS:**MPN6-6C00P**

- VOLTAGE: 90 - 264 VAC FULL RANGE
- FREQUENCY: 47 - 63 Hz
- INPUT CURRENT: 20 / 10 A (90 / 180 VAC)
- INRUSH CURRENT: 30A / 60A MAX. FOR 115 / 230 VAC PER MODULE

OUTPUT CHARACTERISTICS:

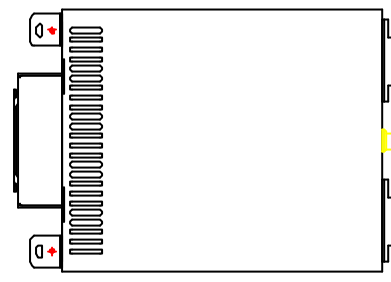
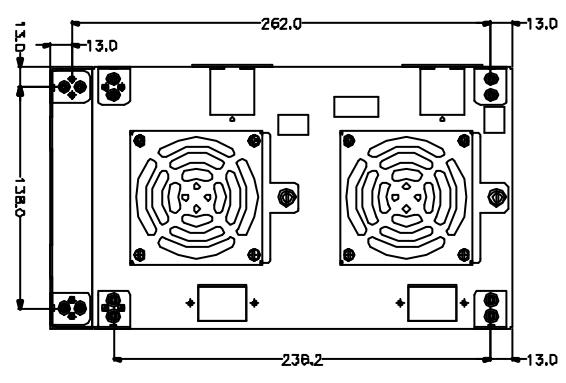
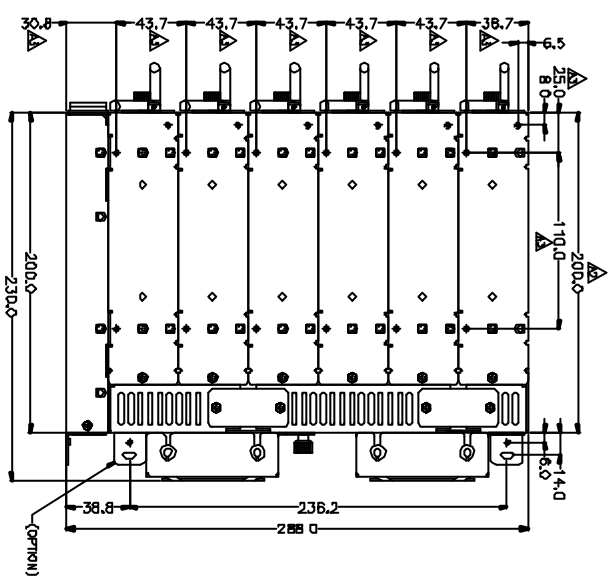
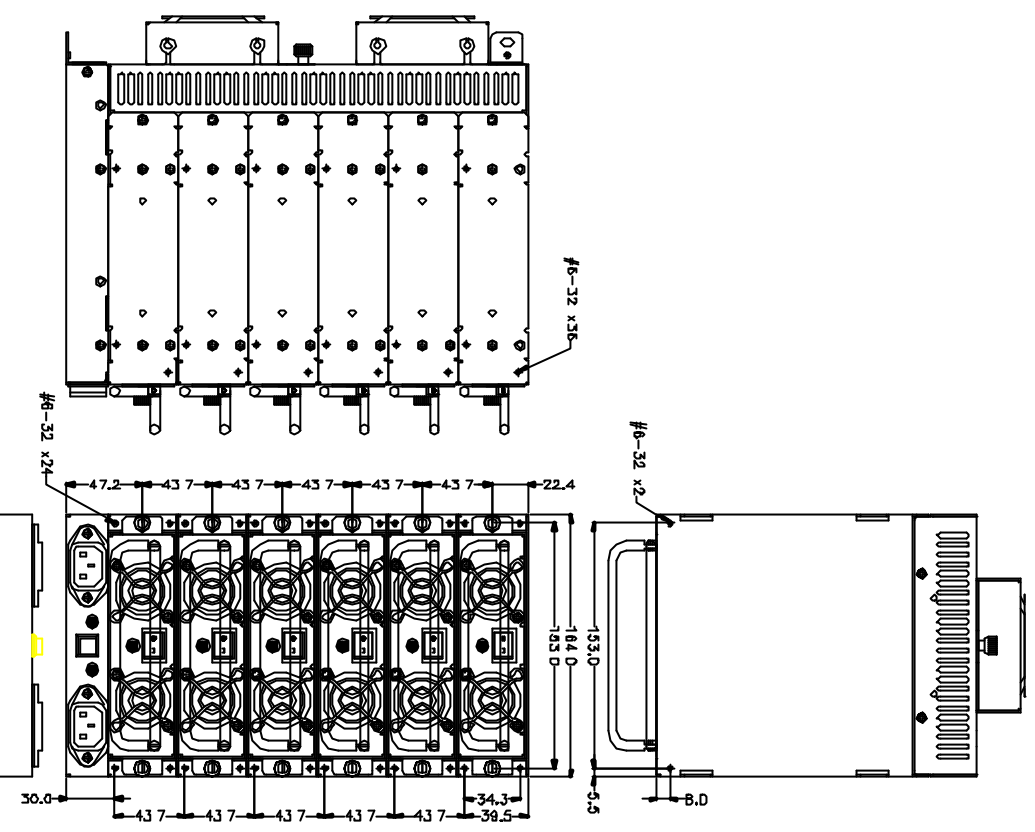
| OUTPUT VOLTAGE | OUTPUT CURRENT | | | REGULATION | | OUTPUT |
|----------------|----------------|----------|---------|------------|------|---------------------------|
| | MIN. [A] | MAX. [A] | PEAK(A) | LOAD | LINE | RIPPLE & NOISE MAX. [P-P] |
| 5V | 15.0 | 125 | 150 | ± 5% | ± 1% | 60mV |
| 12V | 7.5 | 60 | 80 | ± 6% | ± 1% | 120mV |
| -5V | 0.05 | 2.0 | | ±11% | ± 1% | 120mV |
| -12V | 0.05 | 2.0 | | ± 11% | ± 1% | 150mV |
| 3.3V | 1 | 100 | 125 | ± 5% | ± 1% | 60mV |
| +5VSB | 0.1 | 2.5 | | ± 5% | ± 1% | 50mV |

REMARKS: TOTAL OUTPUT CURRENT OF +5V AND +3.3V NOT EXCEED 175 A
TOTAL OUTPUT POWER NOT EXCEED 1200 W

- TEMPERATURE RANGE: OPERATING 0 --- 40
- HOLD UP TIME: 16 ms MINIMUM AT FULL LOAD & 90 VAC INPUT VOLTAGE
- DIELECTRIC WITHSTAND: INPUT / OUTPUT 1500 VAC FOR 1 SECOND
INPUT TO FRAME GROUND 1500 VAC FOR 1 SECOND
- EFFICIENCY: 68% TYPICAL AT FULL LOAD
- POWER GOOD SIGNAL: ON DELAY 100 ms TO 500 ms
- OVER LOAD PROTECTION: 130 +/- 20%
- OVP : **+5V → 5.7 ~ 6.5V, 12V → 13.6 ~ 15.0V, 3.3V → 3.9 ~ 4.3 V**
- SHORT CIRCUIT PROTECTION: **Shut down and latch off**
- EMI NOISE FILTER: FCC CLASS B, CISPR22 CLASS B
- SAFETY: MEET UL 1950, CSA 22.2 NO/ 950, TÜV IEC 950
- REMOTE ON / OFF CONTROL
THE UNIT SHALL ACCEPT A LOGIC OPEN COLLECTOR LEVEL WHICH WILL DISABLE / ENABLE ALL THE OUTPUT VOLTAGE (EXCLUDE +5V STANDBY), AS LOGIC LEVEL IS LOW, OUTPUTS VOLTAGE WERE ENABLE, AS LOGIC LEVEL IS HIGH, OUTPUTS VOLTAGE WERE DISABLE.
- N + 1 REDUNDANCY FUNCTION
- HOT-SWAPPABLE FUNCTION
- CURRENT / BALANCE LOAD SHARING DESIGN
- 3.3V / 5V REMOTE SENSING
- ISOLATION: BUILT-IN IN POWER MODULE
- POWER FACTOR CORRECTION: ACTIVE (MEET IEC-1000-3-2)
- COOLING: TWO 40mm DC FANS IN EACH MODULE & TWO 80 mm DC FANS IN POWER CHASSIS
- DIMENSION: 230(D)x164(W)x288(H)mm (w/Power Source Kit; MPN6); 230 (D) x 356 (W) x 137.7 (H) mm (MP6H)
- CONNECTION: 48 PINS CONNECTOR (EPT PART NO. 109-40064 OR EQUIVALENT)

2000/01/12

| REV. | REVISIONS | DATE |
|------|-----------|------------|
| A2 | 增加加長 | MAR/11/99 |
| A3 | 增加側面抽牙孔 | EC-20-1999 |



| | |
|----------------------|----------------------------------|
| 管理公差: TOLERANCES: | XXX ±.025 XX ±.100 X ±.250 |
| 檢驗法: INSPECTION: | 第三角法 3RD ANGLE |

| | | |
|--------------------|----------------------|--------------|
| 材料規格: MATERIAL: | 核准者: APPROVED BY: | 日期: DATE: |
| 檢核者: CHECK BY: | 核准者: DRAW BY: | 日期: DATE: |

新巨企業股份有限公司
ZIPPY TECHNOLOGY CORP.
TOWER DIVISION

品名: MNRN6 外觀尺寸圖 (1)
圖號: MNRN6MA00
單位: mm

核准者: MNRN6MA00
檢核者: MNRN6MA00
單位: mm

REV. NO: A3
SPEC. SHEET: 0F