

SPECIFICATIONS

RoHS Compliant

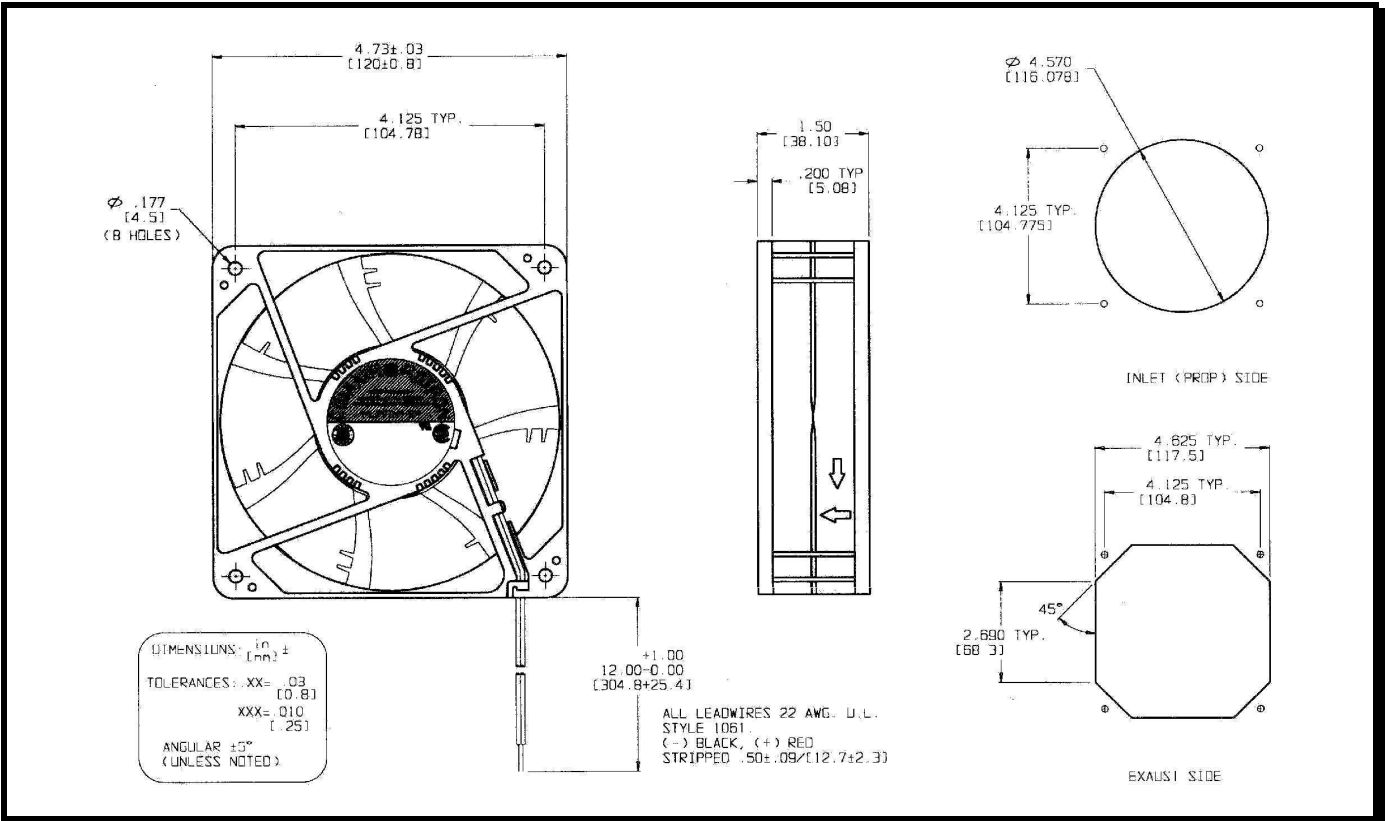


Model Number: MS12S7HX

Part Number: 032855

May 16, 2012

Mechanical Drawing:



Motor (full speed):

Nominal Voltage	= 12 vdc
Operating Voltage Range	= 6 - 14 vdc
Running Current	= 0.58 amps
Max. Locked Rotor Current	= 1.45 amps
Running Power	= 7.0 watts
Speed	= 2900 RPM
Bearings	= Ball
Air Flow	= 110 CFM
Acoustic	= 49.1 dBA

Construction:

Venturi: Plastic, Black, UL 94V-0
Propeller: Plastic, Black, UL 94V-0

Agency Approvals:

UL, cUL

Life Expectancy:

This fan is designed for continuous duty life of 85,000 hours at 40°C.

Additional Features:

Brushless DC Motor
Electronic Locked Rotor Protection
Automatic Restart Capability
Polarity Protected
Thermal Speed Control – PTC in hub of Fan

Tachometer:

Output: 5 volt TTL
I_c: 10mA Max.
Pulses per Revolution: 2
Isolated: No

Termination:

12" Lead wires, 22 AWG, UL 1061
Red – Power
Black – Return
Blue/White - Tachometer