

POC-195

Point of Care Terminal with 19" TFT LCD

NEW



Features

- 19" LCD display with high contrast ratio
- Spill and dust resistant
- UL60601-1/EN60601-1, CE & FCC Class B certified
- Friendly user interface
- Fanless design (DC model only)
- 802.11b/g WLAN module and touchscreen (optional)

Introduction

The POC-195 is a medical multimedia Panel Computer that meets UL60601-1/EN60601-1 certifications. Two models are available, supporting either AC or DC power. The housing on the POC-195 is resistant to spills and dust, and fulfills hospital requirements for easy maintenance.

POC-195 is equipped with a high brightness and high contrast ratio LCD panel, making it the perfect image terminal in patient monitoring applications. It offers a DC model that features a fanless, noise-free design, ideal for quiet hospital environments.

The POC-195 is thoughtfully designed as the ideal and most secure point-of-care solution for modern hospital practitioners.

Specifications

General

- **Dimension (W x H x D)** 471.5 x 416.2 x 123.6 mm (18.56" x 16.38" x 4.86")
- **Weight** 12 kg (26.5 lb)
- **Power supply**
AC model: Internal ATX power supply
Input voltage: 100 ~ 250 VAC, 4/2 A max. @ 50 ~ 60 Hz
Output voltages: +5 V @ 12 A, +12 V @ 12 A, +3.3 V @ 16.8 A, +5 Vsb @ 2.0 A, -12 V @ 0.8 A (180 watt)
DC model: External universal AC/DC adapter
Input voltage: 100 ~ 240 VAC, 47 ~ 63 Hz, 1.25 ~ 0.5 A
Output voltage: +24 VDC, 4.16 A max. (100 watts)
- **Cooling fan Dimensions (L x W x H)**
AC model: 50 x 50 x 15 mm (1.97" x 1.97" x 0.59")
DC model: Fanless
- **Whole system** IPX1 compliant

Standard PC Function

- **CPU**
AC model: Intel® Pentium® M processor (478 µFC-PGA) up to 2.0 GHz
DC model: Intel® Pentium® M processor (478 µFC-PGA) up to 1.6 GHz
- **System chipset** 915GM GMCH/ ICH6-M Chipset, 400/533 MHz PSB
- **Memory** DDR2 400/533 Unbuffered Non ECC x2 (max. 2GB)
- **HDD** One 2.5" SATA/PATA HDD bay
- **CD-ROM** Compact CD-ROM (Optional: COMBO / DVD+-RW)
- **I/O Ports & Speakers** 3 Serial ports RS232 x 2, RS-232/422/485 x 1, 1 parallel port, 6 USB 2.0 ports, 3 IEEE1394a ports, 1 PS/2 mouse and keyboard interface, MIC-in, Line-in, Speaker-out, 1W speakers x 2, 1 D-sub VGA port

- **Network (LAN)** Gigabit Ethernet interface (RJ45) x 2
- **Bus Expansion** PCI 2.2 expansion slot x1
mini-PCI slot x1, accept the Type IIIA mini-PCI card
- **Optional item** 802.11b/g wireless antenna with WLAN mini-PCI module.
Trim knob
Alarm light

General Specifications of Display

- **Display type** 19" TFT LCD
- **Resolution** 1280 x 1024
- **Colors** 16.7M
- **Dot size (mm)** 0.264 x 0.264
- **Viewing angle** 178/178°
- **Luminance** 300 cd/m²
- **Contrast ratio** 1300 : 1
- **LCD MTBF** 50,000 hours
- **Backlight lifetime** 50,000 hours

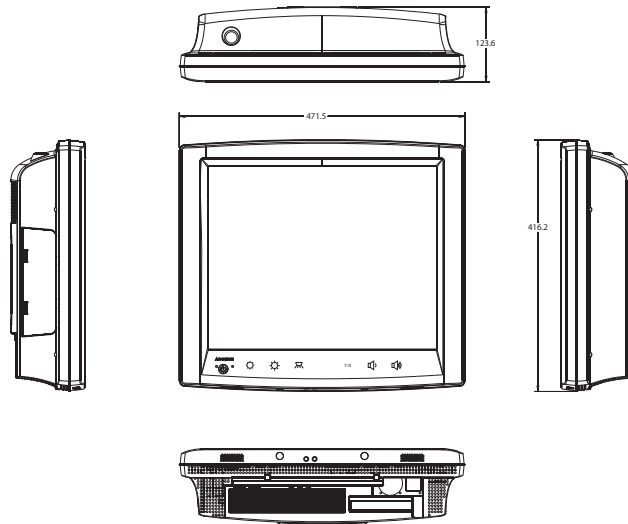
Environmental Specifications

- **Temperature** 0 ~ 40° C
- **Relative Humidity** 10 ~ 95% @ 40° C (non-condensing)
- **Shock** 30G peak acceleration (11ms duration)
- **Power MTBF** 100,000hrs
- **Certification** UL60601-1, EN60601-1, CE, FCC approved

Touchscreen Specifications

- **Type** Analog Resistive
- **Resolution** Continuous
- **Light transmission** 75%
- **Controller** RS-232 interface (use COM4)
- **Durability** 30 million touches

Dimensions

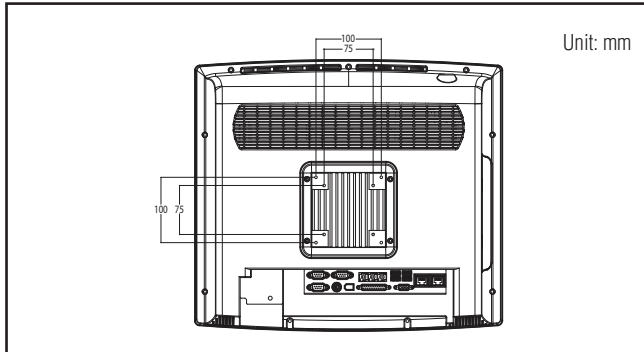


Unit: mm

Mounting

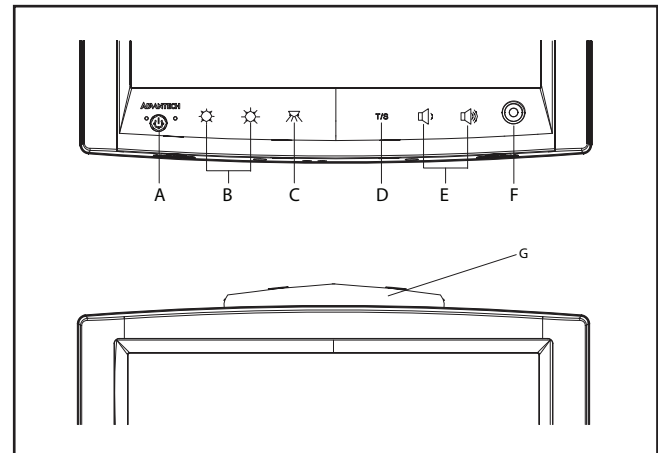
▪ VESA

75 x 75mm ; 100 x 100mm



Unit: mm

Function Keys



- A. Power Button
- B. Brightness Control Button
- C. Book Light
- D. Touch-screen
- E. Audio Control Button
- F. Trim Knob (optional)
- G. Alarm Light (optional)

I/O Drawing



- 1. GND
- 2. Isolated RS-232 COM port (COM1 /COM2/COM3)
- 3. PS/2 Mouse/Keyboard Port
- 4. IEEE-1394a Port
- 5. Parallel Port
- 6. Line-out/Line-in/MIC-in Port (From left to right)
- 7. D-sub VGA port
- 8. USB 2.0 Ports
- 9. RJ-45 Gigabit LAN Port

Ordering Information

- **POC-195CB-AC-AE** POC-195 Bare with COMBO / AC input
- **POC-195CB-AC-ATE** POC-195 Bare with COMBO / AC input /Res.TS
- **POC-195CB-DC-AE** POC-195 Bare with COMBO/DC input
- **POC-195CB-DC-ATE** POC-195 Bare with COMBO/DC input /Res.TS