



Pro-face Operator Interface and Controller Products

2009 Selection Guide

Enterprise-Wide HMI Solutions

Pro-face
Your HMI and Industrial PC Authority

Pro-Face Selection Guide Index

ORDER NUMBER INDEX 4

AGP3000 Series Software

GP-PRO EX HMI DEVELOPMENT SOFTWARE 8

PRO-SERVER-EX DATA MANAGEMENT SOFTWARE 8

LT3000 Touch Screen Controller

3.8" TOUCH SCREEN CONTROLLERS..... 10

5.7" TOUCH SCREEN CONTROLLERS..... 10

EX MODULES & CANOPEN FOR LT AGP3000 LOGIC CONTROLLERS 10

AGP/AST 3000 Operator Interfaces

3.8" OPERATOR INTERFACE 11

5.7" OPERATOR INTERFACE AND LOGIC CONTROLLERS..... 11

7.5" OPERATOR INTERFACE AND LOGIC CONTROLLERS..... 12

10.4" OPERATOR INTERFACE AND LOGIC CONTROLLERS..... 12

12.1" OPERATOR INTERFACE AND LOGIC CONTROLLERS..... 13

15" MULTI-MEDIA OPERATOR INTERFACE 13

AGP3000H HANDHELD OPERATOR INTERFACE..... 14

AGP3000H HANDHELD KITS..... 15

GP-PRO C-Package 03 and Pro-Server Software

GP-PRO C-PACKAGE 03 CONFIGURATION SOFTWARE 17

PRO-SERVER WITH PRO-STUDIO DATA MANAGEMENT 17

ST40x 3.8" Operator Interfaces

ST40X SERIES 3.8" AMBER OPERATOR INTERFACE..... 19

ST40X QUICK START KITS..... 19

GP2000 GLC2000 Factory Gateway, GP37W, and GP477R

FACTORY GATEWAY MULTI-PROTOCOL SERIAL TO ETHERNET CONVERTER 22

5.7" OPERATOR INTERFACE AND LOGIC CONTROLLERS..... 22

7.4" OPERATOR INTERFACE AND LOGIC CONTROLLERS..... 22

9.1" GP477R OPERATOR INTERFACE..... 23

10.4" OPERATOR INTERFACE AND LOGIC CONTROLLERS..... 23

12.1" OPERATOR INTERFACE AND LOGIC CONTROLLERS..... 23

Handheld Operator Interface, Cables and Accessories

GP2000H HANDHELD GRAPHIC TOUCH SCREEN..... 24

GP2000H HANDHELD CABLES & ACCESSORIES 24

LT/GLC150 Series Stand-Alone Graphic Logic Controllers

5.7" LT TYPE A1 & A2 INTEGRATED DISCRETE I/O GRAPHIC LOGIC CONTROLLERS 27

5.7" LT TYPE B & C DISTRIBUTED I/O GRAPHIC CONTROLLERS 27

5.7" LT TYPE B+ (INTEGRATED AND DISTRIBUTED I/O) GRAPHIC CONTROLLERS..... 27

5.7" LT TYPE H1 & H2 ANALOG & DISCRETE I/O GRAPHIC CONTROLLER 27

5.7" LT TYPE H1 & H2 RTD TEMPERATURE GRAPHIC CONTROLLER 27

5.7" LT TYPE H1 & H2 THERMOCOUPLE TEMPERATURE GRAPHIC CONTROLLER 27

Pro-Face Price Guide Index (cont.)

PanelStation Operator Interface And Quickdesigner Software

QUICKDESIGNER 3.7 SOFTWARE	29
5.7" GRAPHIC TOUCH SCREEN	30
7.4" GRAPHIC TOUCH SCREENS	30
9.1" GRAPHIC TOUCH SCREENS	30
10.4" GRAPHIC TOUCH SCREENS	30
12.1" GRAPHIC TOUCH SCREENS	30
PANELSTATION AB HMI KITS	30

COMMUNICATION MODULES

AGP3000 SERIES COMMUNICATION MODULES	31
COMMUNICATION MODULES FOR GP, GLC AND PANELSTATION	31

Flex Network I/O Modules and Accessories

FLEX NETWORK MODULES FOR AGP3000, GLC2000 & LT/GLC150 SERIES	33
FLEX NETWORK CABLES & CONNECTORS	34

Video Mix Unit for 10",12" and 15" AGP3000, GP2000, GLC2000

VIDEO MIX UNITS FOR AGP3000, GP2000, GLC 2000 10", 12" AND 15" TFT	34
--	----

Pro-face Programming Cables, Printer Cables and Serial Port Isolators

PROGRAMMING CABLES & PRINTER CABLES	35
SERIAL PORT ISOLATORS	35
AGP3000 ADAPTERS AND CABLE ACCESSORIES	35

PLC Cables

PLC CABLES FOR AGP3000, ST40X HMI UNITS	36
PLC CABLES FOR GP2000, GLC2000, FG & GP37W2/W3, AND PANELSTATION	37

PRO-FACE ACCESSORIES – MAINTENANCE AND REPLACEMENT COMPONENTS

HMI MISCELLANEOUS ACCESSORIES	40
COMPACT FLASH CARDS & ACCESSORIES	40
CLEAR PROTECTIVE TOUCH SCREEN OVERLAYS	40
BACKLIGHTS FOR PRO-FACE HMI UNITS	41
STAINLESS STEEL BEZELS (SPECIAL ORDER CALL FOR AVAILABILITY)	41
REPLACEMENT INSTALLATION GASKETS	41

Pro-face Panel Cutout Dimensions

PRO-FACE PANEL CUTOUT DIMENSIONS	42
--	----

Notes

NOTES	45
STANDARD WARRANTY AND EXTENDED WARRANTIES	45
CUSTOM OVERLAYS	45
DELIVERY	45
RETURN POLICY	45

ORDER NUMBER INDEX

<u>Order Number</u>	<u>Page</u>	<u>Order Number</u>	<u>Page</u>	<u>Order Number</u>	<u>Page</u>
142055	34	AGP3400-T1-D24-FN1M	12	CA3-ADPCOM-01	35
144766	40	AGP3400-T1-D24-M	12	CA3-ADPSEI-01	35, 36
ABI-CTDE-0000/ABR	30	AGP3450-T1-D24	12	CA3-ADPTRM-01	35
ABK-CTDE-0000/ABD	30	AGP3450-T1-D24-M	12	CA3-ATFALL-01	40
ABK-CTDE-0000/ABR	30	AGP3500-L1-D24	12	CA3-BLU12-01	41
ABK-CTDE-0000/DVN	30	AGP3500-L1-D24-D81C	13	CA3-BLU15-01	41
ABK-CTDE-0000/SER	30	AGP3500-S1-AF	12	CA3-BUSCVR-01	35
ABK-STDN-0000/ABD	30	AGP3500-S1-AF-CA1M	12	CA3-CBL232/5M-01	36
ABK-STDN-0000/ABR	30	AGP3500-S1-AF-D81C	13	CA3-CBL422/5M-01	36
ABK-STDN-0000/DVN	30	AGP3500-S1-AF-D81K	13	CA3-CBL422-01	36
ABK-STDN-0000/SER	30	AGP3500-S1-D24	12	CA3-CBLA-01	36
AGP3000H-ADPCOM-01	14	AGP3500-S1-D24-CA1M	12	CA3-CBLCBT232-01	35
AGP3200-A1-D24	11	AGP3500-S1-D24-D81C	13	CA3-CBLCBT422-01	35
AGP3200-T1-D24	11	AGP3500-S1-D24-D81K	13	CA3-CBLFX/1M-01	36
AGP3200-T1-D24-M	11	AGP3500-S1-D24-M	12	CA3-CBLFX/5M-01	36
AGP3300H-L1-D24	14	AGP3500-T1-AF	12	CA3-CBLLNKM-01	36
AGP3300H-L1-D24-GRY-KEY	14	AGP3500-T1-AF-CA1M	12	CA3-CBLMLT-01	36
AGP3300H-L1-D24-RED	14	AGP3500-T1-AF-D81C	13	CA3-CBLQ-01	36
AGP3300H-L1-D24-RED-KEY	14	AGP3500-T1-AF-D81K	13	CA3-CBLSYS-01	36
AGP3300H-L1-D24-YEL-KEY	14	AGP3500-T1-AF-FN1M	12	CA3-CFCALL/256MB-01	40
AGP3300H-S1-D24	14	AGP3500-T1-AF-M	12	CA3-CFCALL/512MB-01	40
AGP3300H-S1-D24-GRY-KEY	14	AGP3500-T1-D24	12	CA3-DFS12-01	40
AGP3300H-S1-D24-RED	14	AGP3500-T1-D24-CA1M	12	CA3-DFS15-01	40
AGP3300H-S1-D24-RED-KEY	14	AGP3500-T1-D24-D81C	13	CA3-DFS6-01	40
AGP3300H-S1-D24-YEL-KEY	14	AGP3500-T1-D24-D81K	13	CA3-ISO232-01	35
AGP3300-L1-D24	11	AGP3500-T1-D24-FN1M	12	CA3-ISO485-01	35
AGP3300-L1-D24-CA1M	11	AGP3500-T1-D24-M	12	CA3-MBPALL-41	32
AGP3300-L1-D24-D81C	11	AGP3510-T1-AF	12	CA3-MDCB11	36
AGP3300-L1-D24-D81K	11	AGP3510-T1-AF-CA1M	12	CA3-USBCB-01	35
AGP3300-L1-D24-FN1M	11	AGP3550-T1-AF	12	CA3-WPG12-01	41
AGP3300-L1-D24-M	11	AGP3550-T1-AF-M	12	CA3-WPG15-01	41
AGP3300-S1-D24	11	AGP3560-T1-AF	12	CA3-WPG6-01	41
AGP3300-S1-D24-D81C	11	AGP3560-T1-AF-M	12	CA4-ADPONL-01	37
AGP3300-S1-D24-D81K	11	AGP3600-T1-AF	13	CA4-ATM10-01	40
AGP3300-T1-D24	11	AGP3600-T1-AF-CA1M	13	CA4-ATM5-01	40
AGP3300-T1-D24(5PK)	11	AGP3600-T1-AF-D81C	13	CA4-ATMST-01	40
AGP3300-T1-D24-CA1M	11	AGP3600-T1-AF-D81K	13	CA4-DCMDL-01	40
AGP3300-T1-D24-D81C	11	AGP3600-T1-AF-FN1M	13	CA5-AUXCNALL-01	35
AGP3300-T1-D24-D81K	11	AGP3600-T1-AF-M	13	CA5-BLU10T-01	41
AGP3300-T1-D24-FN1M	11	AGP3600-T1-D24	13	CA5-DCCNL-01	35
AGP3300-T1-D24-M	11	AGP3600-T1-D24-CA1M	13	CA5-DCCNM-01	35
AGP3301-L1-D24	11	AGP3600-T1-D24-D81C	13	CA5-DFS10-01	40
AGP3301-L1-D24-M	11	AGP3600-T1-D24-D81K	13	CA5-PFSALL/EX-01	31
AGP3301-S1-D24	11	AGP3600-T1-D24-FN1M	13	CA5-USBATL-01	35
AGP3302-B1-D24	11	AGP3600-T1-D24-M	13	CA5-USBATM-01	35
AGP3310H-T1-D24	14	AGP3650-T1-AF	13	CA5-USBEXT-01	35
AGP3310H-T1-D24-GRY-KEY	14	AGP3650-T1-AF-M	13	CA5-WPG10-01	41
AGP3310H-T1-D24-RED	14	AGP3750-T1-AF	13	CA5-WPG8-01	41
AGP3310H-T1-D24-RED-KEY	14	AGP3750-T1-AF-M	13	CA6-BLU10T-02	41
AGP3310H-T1-D24-YEL-KEY	14	AGP3750-T1-D24	13	CA6-CBLTTY/5M-01	36
AGP3310-T1-D24	11	AGP3750-T1-D24-M	13	CA6-CFCALL/1GB-01	40
AGP3360-T1-D24	11	AST3201-A1-D24	11	CA6-DFS4-01	40
AGP3400-S1-D24	12	AST3211-A1-D24	11	CA6-DIOCNA-01	10
AGP3400-S1-D24-CA1M	12	AST3301-B1-D24	11	CA6-DIOCNA-01	35
AGP3400-S1-D24-D81C	12	AST3301-S1-D24	11	CA6-DNSALL/EX-01	31
AGP3400-S1-D24-D81K	12	CA1-RCVLRG-01	40	CA6-EXMCNHE20P-01	10
AGP3400-T1-D24	12	CA1-STDLRG-01	40	CA6-EXMCNRS10P-01	10
AGP3400-T1-D24-CA1M	12	CA1-WMALRG-01	40	CA6-EXMCNRS11P-01	10
AGP3400-T1-D24-D81C	12	CA2-ISOALL232-01	35		
AGP3400-T1-D24-D81K	12	CA2-ISOALL422-01	35		

Pro-face Operator Interface and Controller Products 2009 Selection Guide

<u>Order Number</u>	<u>Page</u>	<u>Order Number</u>	<u>Page</u>	<u>Order Number</u>	<u>Page</u>
CA6-FNCNALL-01	35	FN-DA02AH41	33	GP2000H-AP232	24
CA6-USB232-01	35, 36	FN-DA04AH11	33	GP2000H-AP422	24
CA7-BLU15-01	41	FN-IFCN01	34	GP2000H-AP70CB-D232-3M	24
CA7-CCLALL/EX-01	31	FN-X32TS41	33	GP2000H-AP70CB-D422-3M	24
CA7-DIOCN5-01	10	FN-XY16SC41	33	GP2000H-C232-10M	24
CA7-FIXEXM-01	10	FN-XY16SK41	33	GP2000H-C232-3M	24
CA7-HTBCNSET-01	10	FN-XY32SKS41	33	GP2000H-C422-10M	24
CA7-TPPEN/ALL-01	14	FN-Y08RL41	33	GP2000H-C422-3M	24
CA7-USBAT6-01	35	FP-US00	35	GP2000H-D232-10M	24
CA8-CANLT-01	10	GLC100-DIOCON01	34	GP2000H-D232-3M	24
CA8-CFCALL/2GB-01	40	GLC150-BG41-ADC-24V	27	GP2000H-D422-10M	24
CA8-ODP10-01	40	GLC150-BG41-ADK-24V	27	GP2000H-D422-3M	24
CA8-USBATALL-01	35	GLC150-BG41-ADPC-24V	27	GP2000H-DF10	24, 40
CA9-CANALL/EX-01	31	GLC150-BG41-ADPK-24V	27	GP2000H-EMGD11	24
CA9-USBAMB/5M-01	35	GLC150-BG41-ADTC-24V	27	GP2000H-STRAP11	24
CA9-USBATR/RGB/MB-01	35	GLC150-BG41-ADTK-24V	27	GP2000-VM41	24
CABIO2M	34	GLC150-BG41-FLEX-24V	27	GP2000-VM41-M	34
CA-CABLE-010M	10	GLC150-BG41-RSFL-24V	27	GP2300-LG41-24V	22
CA-CABLE-050M	10	GLC150-BG41-XY32KF-24V	27	GP2300-LG41-24V-M	22
CA-CABLE-100M	10	GLC150-BG41-XY32SC-24V	27	GP2300-LG41-24V-MBP	22
CA-CN00-TRM	10	GLC150-BG41-XY32SK-24V	27	GP2300-SC41-24V	22
CA-CN90-TRM	10	GLC150-SC41-ADK-24V	27	GP2300-TC41-24V	22
CANOPEN-MS-KIT01	10	GLC150-SC41-ADPC-24V	27	GP2300-TC41-24V-M	22
EX-ED-LICENSE-V25	8	GLC150-SC41-ADPK-24V	27	GP2301H-LG41-24V	24
EX-ED-SITE	8	GLC150-SC41-ADTK-24V	27	GP2301H-SC41-24V	24
EX-ED-SITE-UPGRADE	8	GLC150-SC41-XY32KF-24V	27	GP2301-LG41-24V	22
EX-ED-Upgrade	8	GLC150-SC41-XY32SK-24V	27	GP2301-SC41-24V	22
EX-ED-V25	8	GLC2300-FNCN01	34	GP2301-TC41-24V	22
EX-LADM-MIT-A01	8	GLC2300-LG41-24V	22	GP230-IS11-O	36, 37
EX-LADM-MIT-Q02	8	GLC2300-TC41-24V	22	GP230-IS12-O	37
EX-LADM-OMR-CJ01	8	GLC2300-TC41-24V-M	22	GP2400-TC41-24V	22
EXM-ALM3LT	10	GLC2400-TC41-24V	22	GP2400-TC41-24V-M	22
EXM-AMI2HT	10	GLC2400-TC41-24V-M	22	GP2401H-TC41-24V	24
EXM-AMM3HT	10	GLC2500-TC41-200V	23	GP2401H-TC41-24V-M	24
EXM-AMO1HT	10	GLC2500-TC41-200V-M	23	GP2401-TC41-24V	22
EXM-DDI16DT	10	GLC2500-TC41-24V	23	GP2500-LG41-24V	23
EXM-DDI8DT	10	GLC2600-TC41-200V	23	GP2500-SC41-24V	23
EXM-DDO16TK	10	GLC2600-TC41-200V-M	23	GP2500-TC11	23
EXM-DDO16UK	10	GLC2600-TC41-24V	23	GP2500-TC11-M	23
EXM-DDO8TT	10	GLC-AIOCN01	34	GP2500-TC41-24V	23
EXM-DDO8UT	10	GLC-DIOCN02	34	GP2500-TC41-24V-M	23
EXM-DMM8DRT	10	GLC-DIOCN03	34	GP2501-LG41-24V	23
EXM-DRA16RT	10	GLC-DIOCN04	34	GP2501-SC11	23
EXM-DRA8RT	10	GLC-TMCN01	34	GP2501-SC11-M	23
EX-MES-LICENSE-V10	8	GP000-IS02-MS	38	GP2501-TC11	23
EX-MOVCON-LICENSE	8	GP000-IS03-MS	38	GP2600-TC11	23
EX-RPA	8	GP070-AT01	40	GP2600-TC11-M	23
EX-RPA-10	8	GP070-CN10-O	37	GP2600-TC41-24V	25
EX-RPA-30	8	GP070-DN41	31	GP2600-TC41-24V-M	23
EX-SDV-V12	8	GP070-MD11	36, 38	GP2600-TC41-24V-MBP	23
EX-SED-LICENSE	8	GP070-MDCB11	38	GP2601-TC11	23
EX-SRT-LICENSE	8	GP070-MPI-41	38	GP270-BL00-MS	41
EX-VIEWER-LICENSE	8	GP077-CFAD10	40	GP270-DF10-O	40
EX-VIEWER-LICENSE-10	8	GP077-CFFM10	40	GP3000-DVI01	34
EX-VIEWER-LICENSE-30	8	GP077-MLTE41	31	GP3000-EXDM01	40
FGW-SE41-24V	22	GP077-SDAD10	40	GP3000H-CBLH-10M	14
FN-AD02AH41	33	GP2000-CBLA/5M-01	38	GP3000H-CBLHD-10M	14
FN-AD04AH11	33	GP2000-CBLFX/1M-01	38	GP3000H-CBLS-10M	14
FN-CABLE-2010-31-MS	34	GP2000-CBLFX/5M-01	38		
FN-CABLE-2050-31-MS	34	GP2000-CBLQ/5M-01	38		
FN-CABLE-2200-31-MS	34	GP2000-CBLSYS/5M-01	38		

Pro-face Operator Interface and Controller Products 2009 Selection Guide

<u>Order Number</u>	<u>Page</u>	<u>Order Number</u>	<u>Page</u>	<u>Order Number</u>	<u>Page</u>
GP3000H-CBLS-3M	14	HMI-CAB-C114	39	LT3301-L1-D24-K	10
GP3000H-CBLS-5M	14	HMI-CAB-C116	39	PS300-BU00	41
GP3000H-CBLSD-10M	14	HMI-CAB-C117A	37	PS300-DF00	40
GP3000H-CBLSD-3M	14	HMI-CAB-C232	37	PS400-BU00-MS	41
GP3000H-CBLSD-5M	14	HMI-CAB-C422	37	PS400-DF00	40
GP3000H-DFS6-01	14	HMI-CAB-C52	37	PS500S-BU00	41
GP3000H-DUPS-01	14	HMI-CAB-C52-30X	37	PS501S-BU00	41
GP3000H-EMGD-01	14	HMI-CAB-C53	37, 38, 39	PS600-BU00-MS	41
GP3000H-HS-01	14	HMI-CAB-C58	38	PSL-CONV00	32
GP3000H-WMA-01	14	HMI-CAB-C67	38	PSL-DF00	40
GP3000H-WPGADP-01	14	HMI-CAB-C76	38	PSM-CONV00	32
GP3000-MPI121-PFE	36	HMI-CAB-C82	37	PSM-PRCB00	35
GP3000-RGB201	34	HMI-CAB-C83	37	PSW-ED01-V45	17
GP3000-VM01	34	HMI-CAB-C83-20x	37	PSW-GV01-V11	17
GP370-DF10-O	40	HMI-CAB-C84	37	QDA-EDT-001	29
GP37W2-BG41-24V	22	HMI-CAB-C84-20X	37	QDA-EDT-001/L	29
GP37W2-DF00	40	HMI-CAB-C86	38	QPG-CTDE-0000	30
GP37W2-WP00-MS	41	HMI-CAB-C90	37	QPI-31200-E2P	30
GP410-IS00-O	36, 37	HMI-CAB-C91	38	QPI-3D200-E2P	30
GP410-IS01-O	37	HMI-CAB-C92	39	QPI-ABD-201	31, 32
GP430-IP10-O	38	HMI-CAB-C93	37	QPI-ABR-201	31, 32
GP430-IP11-O	38	HMI-CAB-C94	39	QPI-CTAE-0000	30
GP470/477-COVER-10P	40	HMI-CAB-C99	35	QPI-CTDE-0000	30
GP470/477-DF10	40	HMI-CAB-ETH	35	QPI-DVN-202	31, 32
GP477R-EG11	23	HMI-CAB-ST001	36	QPI-MBP-XA1	31
GP477R-EG41-24VP	23	HMI-CAB-ST106	36	QPI-PBS-202	31, 32
GP570/577-DF10-O	40	HMI-CAB-ST52	36	QPJ-ABD-201	31, 32
GP570-BL00-MS	41	HMI-CAB-ST52-30X	36	QPJ-ABR-201	31, 32
GP577RS-BL00-MS	41	HMI-CAB-ST52-50X	36	QPJ-DVN-202	31
GP577RT-BL00-MS	41	HMI-CCT-203	41	QPJ-MBP-XA1	31
GP675-DF10-0	40	HMI-CCT-303	41	QPJ-PBS-201	31
GPH70-C232-O	24	HMI-COV-202	40	QPK-CTDE-0000	30
GPH70-C422-O	24	HMI-COV-203	40	QPK-STDN-0000	30
GPH70-DF10-O	24, 40	HMI-COV-204	40	QPL-CTAE-0000	30
GPL-AXCN01	34	HMI-ENC-3.8	19	QPL-CTDE-0000	30
GPM-AXCN01	34	HTB1CODM9LP	10	QPM-3D200-B2P	30
GPPRO-CNT01W-P03	17	KIT3300H-LCD-RED-10MS-ADP-KEY	15	QS400-AG41-24V-CB02	19
GPW-CB02	35	KIT3300H-LCD-RED-10MS-KEY	15	QS400-AG41-24V-CB03	19
GPW-CB03	35	KIT3300H-STN-RED-10MS	15	QS401-AG41-24V-CB02	19
HMI-BEZ-201	41	KIT3300H-STN-RED-10MS-ADP	15	QS401-AG41-24V-CB03	19
HMI-BEZ-202	41	KIT3300H-STN-RED-10MS-ADP-KEY	15	QS401-AG41-24V-CB03-ST106	19
HMI-BEZ-204	41	KIT3300H-STN-RED-10MS-KEY	15	QS401-AG41-24V-CB03-ST52	19
HMI-BEZ-403	41	KIT3310H-TFT-RED-10MS	15	QS402-AG41-24V-CB02	19
HMI-BEZ-406	41	KIT3310H-TFT-RED-10MS-ADP	15	QS402-AG41-24V-CB03	19
HMI-BEZ-407	41	KIT3310H-TFT-RED-10MS-ADP-KEY	15	QS403-AG41-24V-CB03-ETH	19
HMI-CAB-C101	39	KIT3310H-TFT-RED-10MS-KEY	15	ST400-AG41-24V	19
HMI-CAB-C102	38	LT3201-A1-D24-C	10	ST400-DF01	40
HMI-CAB-C105	35	LT3201-A1-D24-K	10	ST401-AG41-24V	19
HMI-CAB-C106	37	LT3300-L1-D24-C	10	ST402-AG41-24V	19
HMI-CAB-C109	37	LT3300-L1-D24-K	10	ST403-A2B-MPI21-PFE	36
HMI-CAB-C110	38	LT3300-S1-D24-C	10	ST403-AG41-24V	19
HMI-CAB-C110-20x	38	LT3300-S1-D24-K	10	TermBLK40	34
HMI-CAB-C111	37	LT3301-L1-D24-C	10	XBTZ-GUMP	31

Screen Editor



GP-PRO EX Friendly, Self-Guiding HMI Development Software

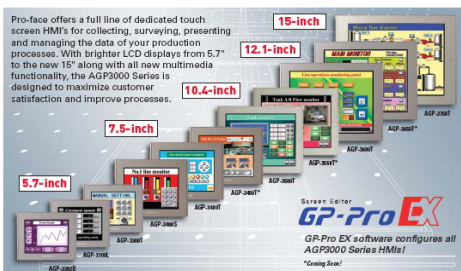
- Compatible with:
 - All AGP3000 Series
 - All LT3000 Series
 - All AST3000 Series
 - PS3000 Series PCs with WinGP
 - APL3000 Series PCs with WinGP
- Imports Applications from GP-PRO C-Package 03
- Premier HMI Software for Introducing New Users to Pro-face



Pro-Server EX Data Management Software



- Compatible with all Ethernet AGP3000 units
- Collect, Log, Share Data over Ethernet
- Cost effective solution to bring HMI data in Microsoft Windows environment



AGP3000 Series Best-In-Class Operator Interfaces

- Standard HMI, Multi-Media HMI and Integrated Control HMI
- Multi-Port, Simultaneous Protocol
- Ideal for companies looking to Standardize on one HMI Supplier with expandability options

Pro-face Operator Interface and Controller Products 2009 Selection Guide

Screen Editor



HMI Touch Screens

Available in 3.8", 5.7", 7.4", 10.4" 12.1" and 15" Screen sizes
 Simultaneous protocol support
 USB, Ethernet, Serial, CF, Video, Sound Interfaces

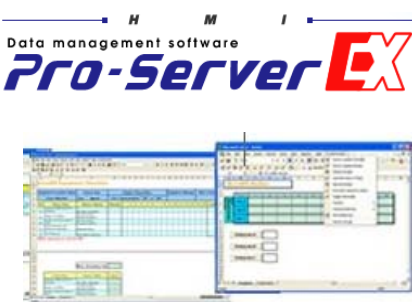
GP-PRO EX HMI DEVELOPMENT SOFTWARE



Windows-based HMI development software for AGP3000, LT3000, AST3000 Series dedicated operator interface products. GP-Pro EX also supports windows-based Operator Interface PS3000 and APL3000 PCs with WinGP pre-installed. GP-PRO EX is the most versatile HMI development software available.

Order Number	Description
EX-ED-V25	GP-PRO EX HMI Development software (download cable not included)
EX-ED-Upgrade	Upgrade to latest version of GP-PRO EX – Requires serial number of Customer’s current GP PRO EX software
EX-ED-LICENSE-V25	One additional user license for GP PRO EX
EX-ED-SITE	GP-Pro EX HMI Development Site Software
EX-ED-SITE-UPGRADE	Site software upgrade to next major revision level Example: Version 2.xx to Version 3.xx
EX-VIEWER-LICENSE	GP-Viewer EX License remote monitoring software,. 1 needed for each GP3000 Series with Ethernet port
EX-VIEWER-LICENSE-10	10 GP-Viewer EX Licenses.
EX-VIEWER-LICENSE-30	30 GP-Viewer EX Licenses.
EX-RPA	Remote PC Access (RPA) runtime license
EX-RPA-10	RPA License Qty 10
EX-RPA-30	RPA License Qty 30
EX-LADM-MIT-A01	Mitsubishi A ladder monitor for AGP3000
EX-LADM-MIT-Q02	Mitsubishi Q ladder monitor for AGP3000
EX-LADM-OMR-CJ01	Omron CS/CJ ladder monitor for AGP3000
EX-MOVCON-LICENSE	AGP3000 Movie Converter software, required to convert videos into AGP3000 series format. Use with EX-ED-V11 or better

PRO-SERVER EX DATA MANAGEMENT SOFTWARE



Windows-based data management software for AGP3000 Series operator interface. Pro-Server EX offers a cost effective solution to collect, store and share data from all Pro-face Ethernet-enabled operator interfaces into today’s ERP, MRP, MES business systems.

Key Features include:

- Collect, store and share Data from factory floor to corporate offices
- Multiple file formats supported:
 - CSV, Excel, Access, Oracle, SQL Server, OPC Server
- Data Logging and Recipes transfer
- Email Alerts

Order Number	Description
EX-SDV-V12	Pro-Server EX Ver 1.2 with Pro-Studio. Development software and one Server runtime license
EX-SED-LICENSE	Pro-Server EX Ver 1.x Additional Pro-Studio Developer license (requires EX-SDV-V12 or better)
EX-SRT-LICENSE	Pro-Server EX Ver 1.x Additional Server Runtime license (requires EX-SDV-V12 or better)
EX-MES-LICENSE-V10	MES action License, no CD allows 1 installation from Pro-Server EX CD (EX-SDV-V12)



AGP/LT3000 Operator Interfaces



Selection Guide	AST32x1 AGP3302	AGP3200	AGP3301	AGP3300 AGP3400	AGP3500/10 AGP3600
Ethernet 10/100 Base-T		√		√	√
Com 1: 9pin D-sub plug RS232	√				
Com 1: RS-232/RS-422/RS-485 9pin D-sub plug		√	√	√	√
Com 2: 9pin D-sub RS422/RS485	√ (AST3211 RS485 only)		√ socket	√ socket	√ socket
USB 1.1 Type A	1 port	1 port	1 port	1 port	2 port
Video input module Support					AGP3500T AGP3600T
Supports AGP3000 Communication Modules			√	√	√
Compact Flash Socket			√	√	√
Sound Output				AGP3400	√
Certifications : CE, UL/cUL CL I Div 2	UL508 only	Listed	Listed	Listed	Listed
Software Compatibility	GP-PRO EX	GP-PRO EX	GP-PRO EX	GP-PRO EX	GP-PRO EX



Selection Guide	LT3000	AGP3450 AGP3550/60 AGP3650 AGP3750	AGP3300-x-x-FN1M AGP3400-x-x-FN1M AGP3500-x-x-FN1M AGP3600-x-x-FN1M	AGP3300-x-x-D81x AGP3400-x-x-D81x AGP3500-x-x-D81x AGP3600-x-x-D81x
Ethernet 10/100 Base-T	LT3300 models only	√	√	√
Com 1: RS-232/RS-422/RS-485 9pin D-sub plug	LT330x models	√	√	√
Com 2: RS-422/RS485 9pin D-sub socket		√	√	√
USB 1.1 Type A 1 port (AGP3200, 3300, 3400, 3450) 2 port (AGP3500, 3550, 3650, 3750)	√	√	√	√
Built-in Discrete I/O	√			Sink(-D81K) Source (-D81C)
Supports additional I/O modules	Supports EX modules		Supports Flex Network Modules	
Supports AGP3000 Communication Modules		√	√	√
Compact Flash Socket		√	√	√
Direct Video and Microphone Input		√		
Sound Output		√	√ (except 3300)	√ (except 3300)
Video input module Support		AGP3550 AGP3650	AGP3500 AGP3600	AGP3500 AGP3600
Certifications : CE,UL/cUL CL I Div 2	√	√	√	√
Software Compatibility	GP-PRO EX	GP-PRO EX	GP-PRO EX	GP-PRO EX

Pro-face Operator Interface and Controller Products 2009 Selection Guide



Compact Stand-Alone Controller

- Lower Your Machine Costs
- Increase Flexibility
- Increase Durability

3.8" LT3000 TOUCH SCREEN CONTROLLERS

Order Number	Description
LT3201-A1-D24-K	3.8" Mono Amber/Red LCD 12-in/6-sink-out 24V
LT3201-A1-D24-C	3.8" Mono Amber/Red LCD 12-in/6-source-out 24V

5.7" LT3000 TOUCH SCREEN CONTROLLERS

Order Number	Description
LT3301-L1-D24-K	5.7" Monochrome LCD 16-in/16-sink-out 24V, Serial
LT3301-L1-D24-C	5.7" Monochrome LCD 16-in/16-source-out 24V, Serial
LT3300-L1-D24-K	5.7" Monochrome LCD 16-in/16-sink-out 24V, Serial, Ethernet
LT3300-L1-D24-C	5.7" Monochrome LCD 16-in/16-source-out 24V, Serial, Ethernet
LT3300-S1-D24-K	5.7" STN Color LCD 16-in/16-sink-out 24V, Serial, Ethernet
LT3300-S1-D24-C	5.7" STN Color LCD 16-in/16-source-out 24V, Serial, Ethernet

EXM Modules & CANopen for LT3000 and AGP3000 Logic Controllers

Order Number	Description
CA8-CANLT-01	CANopen Master module for LT3000 Series
HTB1CODM9LP	CANopen Slave Module for up to 7 EXM Modules (with built in 12pt discrete input / 8pt discrete output)
CANOPEN-MS-KIT01	CANopen Starter Kit for LT3000, Includes: 1 each CA8-CANLT-01 & HTB1CODM9LP
CA-CABLE-010M	CANopen Cable, No connectors, 10 Meters
CA-CABLE-050M	CANopen Cable, No connectors, 50 Meters
CA-CABLE-100M	CANopen Cable, No connectors, 100 Meters
CA-CN00-TRM	CANopen, 9Pin DSub, straight conn with Term. Switch
CA-CN90-TRM	CANopen, 9Pin DSub, 90° with Term. Switch
EXM-DDI8DT	Ex Module (8 Points Input)
EXM-DDI16DT	Ex Module (16 Points Input)
EXM-DRA8RT	Ex Module (8 Points Relay Output)
EXM-DRA16RT	Ex Module (16 Points Relay Output)
EXM-DDO8UT	Ex Module (8 Points Sink Output)
EXM-DDO8TT	Ex Module (8 Points Source Output)
EXM-DDO16UK	Ex Module (16 Points Sink Output)
EXM-DDO16TK	Ex Module (16 Points Source Output)
EXM-DMM8DRT	Ex Module (4 Points Input/4 Points Relay Out)
EXM-AMI2HT	Ex Module (2ch Analog Input)
EXM-ALM3LT	Ex Module (2ch Temp. Input/1ch Analog Out)
EXM-AMM3HT	Ex Module (2ch Analog Input/1ch Analog Out)
EXM-AMO1HT	Ex Module (1ch Analog Output)
CA6-DIOCN4-01	Replacement 22 pin Discrete I/O Connector for LT3201 (5pcs)
CA6-EXMCNHE20P-01	20 Pin connector for EXM-DDO16UK and EXM-DDO16TK units (Qty 5)
CA6-EXMCNRS11P-01	11 Pin connector for EXM-DRA8RT, DMM8DRT, AMI2HT, (Qty 5) AMO1HT, AMM3HT and ALM3LT units.
CA6-EXMCNRS10P-01	10 Pin connector for EXM-DDI8DT, DDI16DT, DO8UT DDO8TT, DRA16RT,(Qty 5)
CA7-DIOCN5-01	DIO Connector for LT3300 series (Qty 5)
CA7-FIXEXM-01	Clamp to secure 3 EXM Modules to LT330x, 1 year warranty
CA7-HTBCNSET-01	Replacement Connector Kit for HTB1CODM9LP (1 each 13pin & 16pin)

* Requires CA6-EXMCNHE20P-01, not supplied with unit. **Connectors are included with units.

Pro-face Operator Interface and Controller Products 2009 Selection Guide

Screen Editor



Bright, Crisp, Clear HMI Touch Screens

Available in 3.8", 5.7", 7.4", 10.4" 12.1" and 15" Screen sizes

Simultaneous protocol support

USB, Ethernet, Serial, CF, Video, Sound Interfaces

3.8" OPERATOR INTERFACE AND LOGIC CONTROLLERS

STANDARD OPERATOR INTERFACE

Order Number	Description
AST3201-A1-D24	3.8" Mono Amber/Red LCD, RS-232, RS-422 Serial 24V
AST3211-A1-D24	3.8" Mono Amber/Red LCD RS-232, RS485 Siemens MPI, 24V
AGP3200-A1-D24	3.8" Mono Amber/Red LCD RS-232/RS-422 Serial, Ethernet 24V
AGP3200-T1-D24	3.8" Color TFT LCD, RS-232/RS-422 Serial, Ethernet 24V
AGP3200-T1-D24-M	3.8" Color TFT LCD, RS-232/RS-422 Serial, Ethernet 24V, Conformal Coated

5.7" OPERATOR INTERFACE AND LOGIC CONTROLLERS

STANDARD OPERATOR INTERFACE

Order Number	Description
AST3301-B1-D24(5PK)	5.7" 8 shades Blue/White LCD, 2 Serial, 1 USB, 24VDC (qty 5 @\$530 ea)
AGP3302-B1-D24	5.7" 16 shades Blue/White LCD, 2 Serial, 1 USB, 24VDC
AGP3301-L1-D24	5.7" Mono, 2 Serial, 1 USB 24VDC
AGP3300-L1-D24	5.7" Monochrome, 2 Serial, 1 USB, Ethernet, 24VDC
AGP3300-L1-D24-M	5.7" Monochrome, 2 Serial, 1 USB, Ethernet, 24VDC, Conformal Coating
AGP3301-L1-D24-M,	5.7" Mono, 2 Serial, 1 USB 24VDC, Conformal Coating,
AST3301-S1-D24(5PK)	5.7" Color STN 2 Serial, 1 USB, No CF, 24VDC (qty 5 @ \$805 ea)
AGP3301-S1-D24	5.7" Color STN 2 Serial, 1 USB, 24VDC
AGP3300-S1-D24	5.7" STN, 2 Serial, 1 USB, Ethernet, 24VDC
AGP3300-T1-D24	5.7" TFT, 2 Serial, 1 USB, Ethernet, , 24VDC
AGP3300-T1-D24-M,	5.7" TFT, 2 Serial, 1 USB, Ethernet, 24VDC, Conformal Coating,
AGP3300-T1-D24(5PK)	5.7" TFT, 2 Serial, 1 USB, Ethernet, , 24VDC (Qty 5 @ \$1285 each)
AGP3310-T1-D24	5.7" 640x480 Hi-Res TFT, 2 Serial, 2 USB, Sound In, Ethernet, 24VDC
AGP3360-T1-D24	5.7" 640x480 Hi-Res TFT, 2 Serial, 2 USB, Sound, Video, Ethernet, 24VDC

OPERATOR INTERFACE LOGIC CONTROLLERS (CANopen & Flex Network Interface)

Order Number	Description
AGP3300-L1-D24-FN1M	5.7" Mono, 2 Serial, 1 USB, Ethernet, Flex Network, 24VDC
AGP3300-T1-D24-FN1M	5.7" TFT, 2 Serial, 1 USB, Ethernet, Flex Network, 24V
AGP3300-L1-D24-CA1M	5.7" Mono, 2 Serial, 1 USB, Ethernet, CANopen Master, 24VDC
AGP3300-T1-D24-CA1M	5.7" TFT, 2 Serial, 1 USB, Ethernet, CANopen Master, 24V

OPERATOR INTERFACE LOGIC CONTROLLERS (Built-in Discrete I/O)

Order Number	Description
AGP3300-L1-D24-D81K	5.7" Mono, 2 Serial, 1 USB, Ethernet, Discrete 6 In 2 Out (Sink), 24V
AGP3300-L1-D24-D81C	5.7" Mono, 2 Serial, 1 USB, Ethernet, Discrete 6 In 2 Out (Source), 24V
AGP3300-S1-D24-D81K	5.7" STN, 2 Serial, 1 USB, Ethernet, Discrete 6 In 2 Out (Sink), 24V
AGP3300-S1-D24-D81C	5.7" STN, 2 Serial, 1 USB, Ethernet, Discrete 6 In 2 Out (Source), 24V
AGP3300-T1-D24-D81K	5.7" TFT, 2 Serial, 1 USB, Ethernet, Discrete 6 In 2 Out (Sink), 24V
AGP3300-T1-D24-D81C	5.7" TFT, 2 Serial, 1 USB, Ethernet, Discrete 6 In 2 Out (Source), 24V

Pro-face Operator Interface and Controller Products 2009 Selection Guide

Screen Editor



Bright, Crisp, Clear HMI Touch Screens

Available in 3.8", 5.7", 7.4", 10.4" 12.1" and 15" Screen sizes

Simultaneous protocol support

USB, Ethernet, Serial, CF, Video, Sound Interfaces

7.5" OPERATOR INTERFACE AND LOGIC CONTROLLERS

STANDARD AND MULTI-MEDIA OPERATOR INTERFACE

Order Number	Description
AGP3400-T1-D24	7.5" TFT, 2 Serial, 1 USB, Ethernet, 24VDC
AGP3400-T1-D24-M	7.5" TFT, 2 Serial, 1 USB, Ethernet, 24VDC, Conformal Coating
AGP3400-S1-D24	7.5" STN, 2 Serial, 1 USB, Ethernet, 24VDC
AGP3450-T1-D24	7.5" TFT, 2 Serial, 1 USB, Sound, Video, Ethernet, 24VDC
AGP3450-T1-D24-M	7.5" TFT, 2 Serial, 1 USB, Sound, Video, Ethernet, 24VDC, Conformal Coating

OPERATOR INTERFACE LOGIC CONTROLLERS

Order Number	Description
AGP3400-T1-D24-FN1M	7.5" TFT, 2 Serial, 1 USB, Ethernet, Flex Network, 24VDC
AGP3400-T1-D24-CA1M	7.5" TFT, 2 Serial, 1 USB, Ethernet, CANopen Master, 24VDC
AGP3400-S1-D24-CA1M	7.5" STN, 2 Serial, 1 USB, Ethernet, CANopen Master, 24VDC
AGP3400-S1-D24-D81K	7.5" STN, 2 Serial, 1 USB, Ethernet, Discrete 6 In 2 Out (Sink), 24VDC
AGP3400-S1-D24-D81C	7.5" STN, 2 Serial, 1 USB, Ethernet, Discrete 6 In 2 Out (Source), 24VDC
AGP3400-T1-D24-D81K	7.5" TFT, 2 Serial, 1 USB, Ethernet, Discrete 6 In 2 Out (Sink), 24VDC
AGP3400-T1-D24-D81C	7.5" TFT, 2 Serial, 1 USB, Ethernet, Discrete 6 In 2 Out (Source), 24VDC

10.4" OPERATOR INTERFACE AND LOGIC CONTROLLERS

STANDARD AND MULTI-MEDIA OPERATOR INTERFACE

Order Number	Description
AGP3500-L1-D24	10.4" Mono, 2 Serial, 2 USB, Ethernet, 24VDC
AGP3500-S1-AF	10.4" STN, 2 Serial, 2 USB, Ethernet, 100-240VAC
AGP3500-S1-D24	10.4" STN, 2 Serial, 2 USB, Ethernet, 24VDC
AGP3500-S1-D24-M	10.4" STN, 2 Serial, 2 USB, Ethernet, 24VDC, Conformal Coating
AGP3500-T1-D24	10.4" TFT, 2 Serial, 2 USB, Ethernet, 24VDC
AGP3500-T1-D24-M	10.4" TFT, 2 Serial, 2 USB, Ethernet, 24VDC, Conformal Coating
AGP3500-T1-AF	10.4" TFT, 2 Serial, 2 USB, Ethernet, 100-240AC
AGP3500-T1-AF-M	10.4" TFT, 2 Serial, 2 USB, Ethernet, 100-240AC, Conformal Coating
AGP3510-T1-AF	10.4" 800x600 Hi-Res TFT LCD Standard AC100-240V
AGP3550-T1-AF	10.4" TFT, 2 Serial, 2 USB, Sound, Video, Ethernet, 100-240AC
AGP3550-T1-AF-M	10.4" TFT, 2 Serial, 2 USB, Sound, Video, Ethernet, 100-240AC Conformal Coating
AGP3560-T1-AF	10.4" 800x600 Hi-Res TFT LCD Sound, Video, AC100-240V
AGP3560-T1-AF-M	10.4" 800x600 Hi-Res TFT LCD Sound, Video, AC100-240V Conformal Coating

OPERATOR INTERFACE LOGIC CONTROLLERS (CANopen & Flex Network Interface)

Order Number	Description
AGP3500-T1-D24-FN1M	10.4" TFT, 2 Serial, 2 USB, Ethernet, Flex Network, 24V
AGP3500-T1-AF-FN1M	10.4" TFT, 2 Serial, 2 USB, Ethernet, Flex Network, 100-240AC
AGP3500-S1-D24-CA1M	10.4" STN, 2 Serial, 2 USB, Ethernet, CANopen Master, 24VDC
AGP3500-S1-AF-CA1M	10.4" STN, 2 Serial, 2 USB, Ethernet, CANopen Master, 100-240VAC
AGP3500-T1-D24-CA1M	10.4" TFT, 2 Serial, 2 USB, Ethernet, CANopen Master, 24V
AGP3500-T1-AF-CA1M	10.4" TFT, 2 Serial, 2 USB, Ethernet, CANopen Master, 100-240AC
AGP3510-T1-AF-CA1M	10.4" TFT (SVGA), 2 Serial, 2 USB, Ethernet, CANopen Master, 100-240AC

*Special Note: For customers replacing a GP2500T TFT screen with an AGP3500T TFT unit, an adapter plate is needed, part number: HMI-ADP-001 –see *HMI Miscellaneous accessories*

The recommended alternative is to use the AGP3600T unit which is cutout compatible with GP2500T unit.

Pro-face Operator Interface and Controller Products 2009 Selection Guide

Screen Editor



Bright, Crisp, Clear HMI Touch Screens

Available in 3.8", 5.7", 7.4", 10.4" 12.1" and 15" Screen sizes

Simultaneous protocol support

USB, Ethernet, Serial, CF, Video, Sound Interfaces

10.4" OPERATOR INTERFACE AND LOGIC CONTROLLERS (cont)

OPERATOR INTERFACE LOGIC CONTROLLERS (Built-in Discrete I/O)

Order Number	Description
AGP3500-L1-D24-D81C	10.4" Mono, 2 Serial, 2 USB, Ethernet, 6 In 2 Out (Source), 24V
AGP3500-S1-D24-D81K	10.4" STN, 2 Serial, 2 USB, Ethernet, 6 In 2 Out (Sink), 24V
AGP3500-S1-D24-D81C	10.4" STN, 2 Serial, 2 USB, Ethernet, 6 In 2 Out (Source), 24V
AGP3500-S1-AF-D81K	10.4" STN, 2 Serial, 2 USB, Ethernet, 6 In 2 Out (Sink), 100-240AC
AGP3500-S1-AF-D81C	10.4" STN, 2 Serial, 2 USB, Ethernet, 6 In 2 Out (Source)100-240AC
AGP3500-T1-D24-D81K	10.4" TFT, 2 Serial, 2 USB, Ethernet, 6 In 2 Out (Sink), 24V
AGP3500-T1-D24-D81C	10.4" TFT, 2 Serial, 2 USB, Ethernet, 6 In 2 Out (Source), 24V
AGP3500-T1-AF-D81K	10.4" TFT, 2 Serial, 2 USB, Ethernet, 6 In 2 Out (Sink), 100-240AC
AGP3500-T1-AF-D81C	10.4" TFT, 2 Serial, 2 USB, Ethernet, 6 In 2 Out (Source), 100-240AC

12.1" OPERATOR INTERFACE AND LOGIC CONTROLLERS

STANDARD AND MULTI-MEDIA OPERATOR INTERFACE

Order Number	Description
AGP3600-T1-D24	12.1"TFT, 2 Serial, 2 USB, Ethernet, 24VDC
AGP3600-T1-D24-M	12.1"TFT, 2 Serial, 2 USB, Ethernet, 24VDC, Conformal Coating
AGP3600-T1-AF	12.1"TFT, 2 Serial, 2 USB, Ethernet, 100-240AC
AGP3600-T1-AF-M	12.1"TFT, 2 Serial, 2 USB, Ethernet, 100-240AC, Conformal Coating
AGP3650-T1-AF	12.1"TFT, 2 Serial, 2 USB, Sound, Video, Ethernet, 100-240AC
AGP3650-T1-AF-M	12.1"TFT, 2 Serial, 2 USB, Sound, Video, Ethernet, 100-240AC Conformal Coating

OPERATOR INTERFACE LOGIC CONTROLLERS (CANopen & Flex Network Interface)

Order Number	Description
AGP3600-T1-D24-FN1M	12.1" TFT, 2 Serial, 2 USB, Ethernet, Flex Network, 24VDC
AGP3600-T1-AF-FN1M	12.1" TFT, 2 Serial, 2 USB, Ethernet, Flex Network, 100-240AC
AGP3600-T1-D24-CA1M	12.1" TFT, 2 Serial, 2 USB, Ethernet, CANopen Master, 24VDC
AGP3600-T1-AF-CA1M	12.1" TFT, 2 Serial, 2 USB, Ethernet, CANopen Master, 100-240AC

OPERATOR INTERFACE LOGIC CONTROLLERS (Built-in Discrete I/O)

Order Number	Description
AGP3600-T1-D24-D81K	12.1" TFT, 2 Serial, 2 USB, Ethernet, 6 In 2 Out (Sink), 24VDC
AGP3600-T1-D24-D81C	12.1" TFT, 2 Serial, 2 USB, Ethernet, 6 In 2 Out (Source), 24VDC
AGP3600-T1-AF-D81K	12.1" TFT, 2 Serial, 2 USB, Ethernet, 6 In 2 Out (Sink), 100-240AC
AGP3600-T1-AF-D81C	12.1" TFT, 2 Serial, 2 USB, Ethernet, 6 In 2 Out (Source), 100-240AC

15" MULTI-MEDIA OPERATOR INTERFACE

Order Number	Description
AGP3750-T1-D24	15"TFT, 2 Serial, 2 USB, Sound, Video, Ethernet, 24VDC
AGP3750-T1-D24-M	15"TFT, 2 Serial, 2 USB, Sound, Video, Ethernet, 24VDC, Conformal Coating
AGP3750-T1-AF	15"TFT, 2 Serial, 2 USB, Sound, Video, Ethernet, 100-240AC
AGP3750-T1-AF-M	15"TFT, 2 Serial, 2 USB, Sound, Video, Ethernet, 100-240AC, Conformal Coating

Pro-face Operator Interface and Controller Products 2009 Selection Guide

Screen Editor



Bright, Crisp, Clear HMI Touch Screens

Available in 3.8", 5.7", 7.4", 10.4" 12.1" and 15" Screen sizes
 Simultaneous protocol support
 USB, Ethernet, Serial, CF, Video, Sound Interfaces

AGP3000H HANDHELD OPERATOR INTERFACE



Summary:

Works with GP-Pro EX V2.2 or greater
 Use breakout adapter for quick disconnect
 Choose color of stop switch and/or if application requires a key switch for extra safety.
 See AGP3000H accessories for necessary cables

Order Number	Description
AGP3310H-T1-D24	Hand Held, 5.7" TFT Color LCD (VGA), 24VDC, No E-Stop, No Key
AGP3300H-S1-D24	Hand Held, 5.7" STN Color LCD (QVGA), 24VDC, No E-Stop, No Key
AGP3300H-L1-D24	Hand Held, 5.7" Mono LCD (QVGA), 24VDC, No E-Stop, No Key
AGP3310H-T1-D24-RED	Hand Held, 5.7" TFT Color LCD (VGA), 24VDC, Red E-Stop, No Key
AGP3300H-S1-D24-RED	Hand Held, 5.7" STN Color LCD (QVGA), 24VDC, Red E-Stop, No Key
AGP3300H-L1-D24-RED	Hand Held, 5.7" Mono LCD (QVGA), 24VDC, Red E-Stop, No Key
AGP3310H-T1-D24-RED-KEY	Hand Held, 5.7" TFT Color LCD (VGA), 24VDC, Red E-Stop, with Key
AGP3300H-S1-D24-RED-KEY	Hand Held, 5.7" STN Color LCD (QVGA), 24VDC, Red E-Stop, with Key
AGP3300H-L1-D24-RED-KEY	Hand Held, 5.7" Mono LCD (QVGA), 24VDC, Red E-Stop, with Key
AGP3310H-T1-D24-YEL-KEY	Hand Held, 5.7" TFT Color LCD (VGA), 24VDC, Yellow E-Stop, with Key
AGP3300H-S1-D24-YEL-KEY	Hand Held, 5.7" STN Color LCD (QVGA), 24VDC, Yellow E-Stop, with Key
AGP3300H-L1-D24-YEL-KEY	Hand Held, 5.7" Mono LCD (QVGA), 24VDC, Yellow E-Stop, with Key
AGP3310H-T1-D24-GRY-KEY	Hand Held, 5.7" TFT Color LCD (VGA), 24VDC, Gray E-Stop, with Key
AGP3300H-S1-D24-GRY-KEY	Hand Held, 5.7" STN Color LCD (QVGA), 24VDC, Gray E-Stop, with Key
AGP3300H-L1-D24-GRY-KEY	Hand Held, 5.7" Mono LCD (QVGA), 24VDC, Gray E-Stop, with Key

AGP3000H HANDHELD CABLES & ACCESSORIES

Order Number	Description
AGP3000H-ADPCOM-01	Breakout Adapter for AGP3000H (requires GP3000H-CBLxD-xM cables)
GP3000H-CBLS-3M	Cable, 3m Soft, AGP3000H connector to Open Leads (direct connection)
GP3000H-CBLS-5M	Cable, 5m Soft, AGP3000H connector to Open Leads (direct connection)
GP3000H-CBLS-10M	Cable, 10m Soft, AGP3000H connector to Open Leads (direct connection)
GP3000H-CBLS-3M	Cable, 3m Soft, connects AGP3000H-ADPCOM-01 to AGP3000H
GP3000H-CBLS-5M	Cable, 5m Soft, connects AGP3000H-ADPCOM-01 to AGP3000H
GP3000H-CBLS-10M	Cable, 10m Soft, connects AGP3000H-ADPCOM-01 to AGP3000H
GP3000H-CBLS-3M	Cable, 3m Soft, connects AGP3000H-ADPCOM-01 to AGP3000H
GP3000H-CBLS-5M	Cable, 5m Soft, connects AGP3000H-ADPCOM-01 to AGP3000H
GP3000H-CBLS-10M	Cable, 10m Soft, connects AGP3000H-ADPCOM-01 to AGP3000H
GP3000H-CBLS-3M	Cable, 3m Soft, connects AGP3000H-ADPCOM-01 to AGP3000H
GP3000H-CBLS-5M	Cable, 5m Soft, connects AGP3000H-ADPCOM-01 to AGP3000H
GP3000H-CBLS-10M	Cable, 10m Soft, connects AGP3000H-ADPCOM-01 to AGP3000H
GP3000H-CBLS-3M	Cable, 3m Soft, connects AGP3000H-ADPCOM-01 to AGP3000H
GP3000H-CBLS-5M	Cable, 5m Soft, connects AGP3000H-ADPCOM-01 to AGP3000H
GP3000H-CBLS-10M	Cable, 10m Soft, connects AGP3000H-ADPCOM-01 to AGP3000H
GP3000H-CBLS-3M	Cable, 3m Soft, connects AGP3000H-ADPCOM-01 to AGP3000H
GP3000H-CBLS-5M	Cable, 5m Soft, connects AGP3000H-ADPCOM-01 to AGP3000H
GP3000H-CBLS-10M	Cable, 10m Soft, connects AGP3000H-ADPCOM-01 to AGP3000H
GP3000H-WMA-01	Wallmount Adapter for AGP3000H
GP3000H-HS-01	Replacement Hand strap for GP3000H
GP3000H-EMGD-01	Replacement Emergency Switch Guard for AGP3000H
CA7-TPPEN/ALL-01	Replacement Stylus for AGP3000H
GP3000H-DUPS-01	Replacement Function Switch Labels for AGP3000H (Qty 5)
GP3000H-DFS6-01	Touch Screen Protection Sheet (Hard) for AGP3000H (Qty 5)
GP3000H-WPGADP-01	Replacement Installation Gasket for AGP3000H

Screen Editor



Bright, Crisp, Clear HMI Touch Screens

Available in 3.8", 5.7", 7.4", 10.4" 12.1" and 15" Screen sizes
 Simultaneous protocol support
 USB, Ethernet, Serial, CF, Video, Sound Interfaces

AGP3000H HANDHELD KITS



Handheld Kits:

Choose open ended cables or cables to the breakout adapter

Choose With or without breakout adapter

Choose With or without key switch

Kits do not include GP-Pro EX or programming cable

Order Number	Description
KIT3310H-TFT-RED-10MS-ADP-KEY	AGP3310H TFT w/ Red E-Stop & key, plus AGP3000H-ADPCOM-01Adapter, and GP3000H-CBLSD-10M 10M Soft connection cable
KIT3310H-TFT-RED-10MS-KEY	AGP3310H TFT w/ Red E-Stop & Key plus GP3000H-CBLS-10M 10M Soft open ended connection cable
KIT3310H-TFT-RED-10MS-ADP	AGP3310H TFT w/ Red E-Stop no key, plus AGP3000H-ADPCOM-01Adapter, and GP3000H-CBLSD-10M 10M Soft connection cable
KIT3310H-TFT-RED-10MS	AGP3310H TFT w/ Red E-Stop no Key plus GP3000H-CBLS-10M 10M Soft open ended connection cable
KIT3300H-STN-RED-10MS-ADP-KEY	AGP3300H STN w/ Red E-Stop & key, plus AGP3000H-ADPCOM-01Adapter, and GP3000H-CBLSD-10M 10M Soft connection cable
KIT3300H-STN-RED-10MS-KEY	AGP3300H STN w/ Red E-Stop & Key plus GP3000H-CBLS-10M 10M Soft open ended connection cable
KIT3300H-STN-RED-10MS-ADP	AGP3300H STN w/ Red E-Stop no key, plus AGP3000H-ADPCOM-01Adapter, and GP3000H-CBLSD-10M 10M Soft connection cable
KIT3300H-STN-RED-10MS	AGP3300H STN w/ Red E-Stop no Key plus, GP3000H-CBLS-10M 10M Soft open ended connection cable
KIT3300H-LCD-RED-10MS-ADP-KEY	AGP3300H Mono w/ Red E-Stop & key, plus AGP3000H-ADPCOM-01Adapter, and GP3000H-CBLSD-10M 10M Soft connection cable
KIT3300H-LCD-RED-10MS-KEY	AGP3300H Mono w/ Red E-Stop & Key plus, GP3000H-CBLS-10M 10M Soft open ended connection cable



GP-PRO C-Package 03 Full-Featured HMI Development Software

**Compatible with GP2000, GLC2000, LT/GLC150,
ST400, ST401-24V, ST402, ST403**



Pro-Server Data Management Software

Compatible with GP2000, GLC2000, ST403 models

GP-PRO C-PACKAGE 03 CONFIGURATION SOFTWARE



Windows-based software with graphical editor for configuration of all GP, ST, LT, GLC Series HMIs. GP-PRO/PBIII C-Package03 offers a comprehensive set of panel operators, including: push buttons, selector switches, pilot lights, text and numeric data display, bar-graph displays, static and dynamic bit-mapped or object oriented images.

Key Features include:

- Multi-language tables activated via touch of a screen button
- CSV data transfer to compact flash and Recipe modification
- Extended SIO communication scripting for communication to serial field devices

Order Number	Description
GPPRO-CNT01W-P03	GP-PRO/PBIII C-Package 03 Config. Software - no download cable

PRO-SERVER with PRO-STUDIO DATA MANAGEMENT

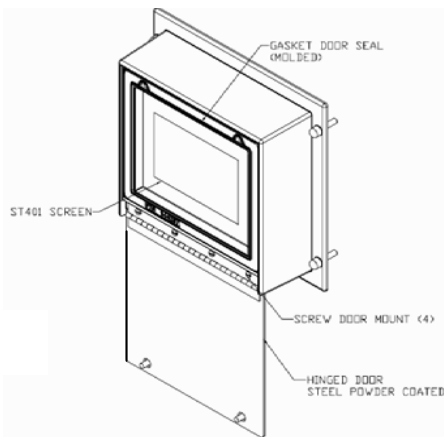


Pro-Server with Pro-Studio is a data management software package that allows production site data to be collected and sent to information management PCs in real-time. Pro-Server automatically records and accumulates production data, for immediate playback of either past or present line operating conditions.

Key Features Include:

- Importing /Exporting directly into Excel without programming or thru DDE
- User's defined triggers to generate reports and print reports
- Share PLC/Field I/O device data with MES systems
- Remote Screen capturing
- Alert multiple departments of critical events for fast information sharing

Order Number	Description
PSW-ED01-V45	Pro-Server with Pro-Studio Version 4.5, CD-Rom with PDF manual Note: Must be used with GP-PRO/PBIII C-Package01 or later.
PSW-GV01-V11	GP Viewer Version 1.1 add-on pack to Pro Server for Data Playback



ST SERIES

ST40x 3.8" Series Units

- Low Cost Amber LED Operator Interface
- Ethernet, Serial, Siemens MPI Interface
- Select Unit based on Communication Interface
- GP-PRO C-Package 03 Compatible
- ST403 Pro-Designer Compatible

Selection Guide	ST400-AG41-24V	ST401-AG41-24V	ST402-AG41-24V	ST403-AG41-24V
3.8" 320 x 240 Resolution	√	√	√	√
Dual Color LED Backlit Amber/Red				√
Ethernet 10-BaseT				√
RS-422/RS-485 Com Port 9 pin D-sub	√			
RS-232 Port 9 pin D-sub		√		
RS-232/RS-485 Secondary 9 pin D-sub software configurable for PLC interfacing				√
Siemens dedicated MPI 485 Interface			√	
RS-422 Secondary Port for Scripting or Bar Code Reader Input			√	
Certifications: CE, UL/cUL CL I Div 2	√	√	√	√
Software Compatibility	GPro-03	GPro-03	GPro-03	GPro-03 Pro-Designer V4.2.10

Powerful Data Sharing HMI Graphical Touch Screens



Amber Touch Screens with Six configurable functions buttons
 Lowest Cost HMIs
 Select unit based on your Serial or Ethernet communication requirements

ST40X SERIES 3.8" AMBER OPERATOR INTERFACE

STANDARD OPERATOR INTERFACE

Order Number	Description
ST400-AG41-24V	3.8" Amber, 1 RS-422/485 Serial Port, 24VDC, UL, CE
ST401-AG41-24V	3.8" Amber, 1 RS-232 Serial Port, 24VDC, UL, CE
ST402-AG41-24V	3.8" Amber, 1 Siemens MPI Port, Bar code port, 24V, UL, CE
ST403-AG41-24V	3.8" Dual Color Amber/Red LED, Ethernet, RS-232/422 Port, 24V, UL, CE

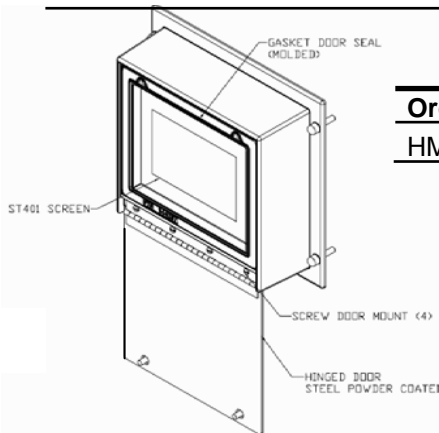
ST40x QUICK START KITS

ST40x Quick Start Kits



- Includes:
- ST40x unit
 - GP-Pro 03 HMI Development Software (Latest Release)
 - GPW-CB02 RS-232 or GPW-CB03 USB Download Cable
 - Generic or PLC specific communication Cable

Order Number	Description
QS400-AG41-24V-CB02	ST400 w/ GP PRO-03, RS-232 Download Cable and HMI-CAB-ST001
QS400-AG41-24V-CB03	ST400 w/ GP PRO-03, USB Download Cable and HMI-CAB-ST001
QS401-AG41-24V-CB02	ST401 w/ GP PRO-03, RS-232 Download Cable and HMI-CAB-ST001
QS401-AG41-24V-CB03	ST401 w/ GP PRO-03, USB Download Cable and HMI-CAB-ST001
QS401-AG41-24V-CB03-ST106	ST401 w/ GP PRO-03, USB Cable and HMI-CAB-ST106
QS401-AG41-24V-CB03-ST52	ST401 w/ GP PRO-03, USB Cable and HMI-CAB-ST52
QS402-AG41-24V-CB02	ST402 w/ GP PRO-03, RS-232 Download Cable and HMI-CAB-ST001
QS402-AG41-24V-CB03	ST402 w/ GP PRO-03, USB Download Cable and HMI-CAB-ST001
QS403-AG41-24V-CB03-ETH	ST403 w/ GP PRO-03, CB03 USB Download Cable and HMI-CAB-ETH



Order Number	Description
HMI-ENC-3.8	Enclosure w/door, Open Back for ST40x models



**GP2000 Series
Full-Featured Operator Interface**



**GLC2000 Series
Operator Interface Logic
Controllers**

Monochrome, STN, TFT Operator Interfaces

5.7, 7.4, 10.4, 12.1 Display Sizes

Ethernet, RS-232/RS-422 Ports, Compact Flash

Supports Optional Communication Modules

Distributed I/O FN module Compatible

- (compatible with GLC2000 products)

GP-PRO C-Package03 Software

- (compatible with GP2000 and GLC2000 products)



GP2000 Operator Interface and GLC2000 Logic Controllers plus Factory Gateway, GP37W, and GP477R



Selection Guide	FGW	GP37W2 Blue Mode	GP2300 GP2400 GP2500 GP2600	GP2301 GP2401 GP2501 GP2601	GP2301H GP2401H HandHelds
Ethernet 10-BaseT	√		√		
RS-232/RS-422 Com Port 25pin D-sub	√	√	√	√	√
Secondary RS-232 Port 9 pin D-sub			√		
Supports Communication Modules			√	√	
GP2000-VM41 Video Mix Support			√ GP2500T, GP2600T only		
Enable Switch & Vibration Alert w/ Emergency Shutdown					√
Buzzer and Open Collector Discrete Output					√
Compact Flash Socket			√	√	√
Certifications: CE, UL/cUL	CE,UL/cUL CL I Div 2	CE, UL/cUL non-hazardous	CE, UL/cUL CL I Div 2	CE,UL/cUL CL I Div 2	CE,UL/cUL non-hazardous
Software Compatibility	GPPro-03	GPPro-03	GPPro-03 Pro-Designer	GPPro-03 Pro-Designer	GPPro-03 Pro-Designer



Selection Guide	GLC2300	GLC2400	GLC2500	GLC2600	GP477R
Ethernet 10-BaseT	√	√	√	√	
RS-232/RS-422 Com Port 25pin D-sub	√	√	√	√	√
Secondary RS-232 Port 9 pin D-sub	√	√	√	√	
Supports Communication Modules	√	√	√	√	√
Compact Flash Socket	√	√	√	√	
GP2000-VM41 Video Mix Support			√	√	
Supports Flex Network I/O Modules	√	√	√	√	
Certifications: CE, UL/cUL CL I Div 2	√	√	√	√	24VDC only
Software Compatibility	GPPro-03	GPPro-03	GPPro-03	GPPro-03	GPPro-03



Powerful Data Sharing & Control Operator Interfaces

Monochrome, Amber, STN and TFT Full Featured HMI Solutions

Available in 5.7", 7.4", 9.1", 10.4" and 12.1" Screen sizes

Largest Selection of Protocols available!

GLC Series includes built-in Control Features (Use with FN modules)

GLC Series is ideal for Distributed I/O Control Applications

FACTORY GATEWAY MULTI-PROTOCOL SERIAL TO ETHERNET CONVERTER

Order Number	Description
FGW-SE41-24V	Ethernet w/ RS-232/RS-422 Serial Port, 24VDC, UL/cUL, CE

5.7" OPERATOR INTERFACE AND LOGIC CONTROLLERS

STANDARD OPERATOR INTERFACE

Order Number	Description
GP37W2-BG41-24V	5.7" Blue/White LCD, 1 Serial port, 24VDC, UL, CE
GP2300-TC41-24V	5.7" TFT Color, Ethernet, CF, 2 Serial, 24VDC, UL CL I Div 2, CE
GP2300-TC41-24V-M	5.7" TFT, Eth, CF, 2 Serial, 24VDC, UL CL I Div 2, CE, Conformal Coating
GP2300-SC41-24V	5.7" STN Color, Ethernet, CF, 2 Serial, 24VDC, UL CL I Div 2, CE
GP2300-LG41-24V	5.7" Mono, Ethernet, CF, 2 Serial, 24VDC, UL CL I Div 2, CE
GP2300-LG41-24V-MBP	5.7" mono, 2 serial, Eth, CF, 24VDC, UL CL I Div 2, CE, w/ CA3-MBPALL-41
GP2300-LG41-24V-M	5.7" Mono, Eth, CF, 2 Serial, 24VDC, UL CL I Div 2, CE, Conformal Coating
GP2301-TC41-24V	5.7" TFT Color, CF, 1 Serial, 24VDC, UL CL I Div 2, CE
GP2301-SC41-24V	5.7" STN Color, CF, 1 serial, 24VDC, UL CL I Div 2, CE
GP2301-LG41-24V	5.7" Mono, CF, 1 Serial, 24VDC, UL CL I Div 2, CE

OPERATOR INTERFACE LOGIC CONTROLLERS (supports Flex Network Modules)

Order Number	Description
GLC2300-TC41-24V	5.7" TFT Color, Integrated Control, Ethernet, CF, 2 Serial, 24VDC, UL, CE
GLC2300-TC41-24V-M	5.7" TFT, Control, Ethernet, CF, 2 Serial, 24VDC, UL, CE, Conformal Coating
GLC2300-LG41-24V	5.7" Mono, Integrated Control, Ethernet, CF, 2 Serial, 24VDC, UL, CE

7.4" OPERATOR INTERFACE AND LOGIC CONTROLLERS

STANDARD OPERATOR INTERFACE

Order Number	Description
GP2400-TC41-24V	7.4" TFT Color, Ethernet, CF, 2 Serial, 24VDC, UL CL I Div 2, CE
GP2400-TC41-24V-M	7.4" TFT Color, Ethernet, CF, 2 Serial, 24VDC, UL CL I Div 2, CE, Conformal Coating
GP2401-TC41-24V	7.4" TFT Color, 1 serial, CF, 24VDC, UL CL I Div 2, CE

OPERATOR INTERFACE LOGIC CONTROLLERS (supports Flex Network Modules)

Order Number	Description
GLC2400-TC41-24V	7.4" TFT Color, Integrated Control, Ethernet, CF, 2 Serial, 24VDC, UL, CE
GLC2400-TC41-24V-M	7.4" TFT Color, Control, Ethernet, CF, 2 Serial, 24VDC, UL, CE, Conformal Coating



Powerful Data Sharing & Control Operator Interfaces

Monochrome, Amber, STN and TFT Full Featured HMI Solutions
 Available in 5.7", 7.4", 9.1", 10.4" and 12.1" Screen sizes
 Largest Selection of Protocols available!
 GLC Series includes built-in Control Features
 GLC Series is ideal for Distributed I/O Control Applications

9.1" GP477R OPERATOR INTERFACE

STANDARD OPERATOR INTERFACE

Order Number	Description
GP477R-EG41-24VP	9.1" Amber EL, Discontinued Nov 1, 2009
GP477R-EG11	9.1" Amber EL, Discontinued Nov 1, 2009

10.4" OPERATOR INTERFACE AND LOGIC CONTROLLERS

STANDARD OPERATOR INTERFACE

Order Number	Description
GP2500-TC41-24V	10.4" TFT Color, Ethernet, CF, 2 Serial, 24VDC, UL CL I Div 2, CE
GP2500-TC41-24V-M	10.4" TFT Color, Ethernet, CF, 2 Serial, 24VDC, CE, Conformal Coating
GP2500-TC11	10.4" TFT Color, Ethernet, CF, 2 Serial, 120VAC UL CL I Div 2, CE
GP2500-TC11-M	10.4" TFT Color, Ethernet, CF, 2 Serial, 120VAC, CE, Conformal Coating
GP2500-SC41-24V	10.4" STN Color, Ethernet, CF, 2 Serial, 24VDC UL CL I Div 2, CE
GP2500-LG41-24V	10.4" Mono, Ethernet, CF, 2 Serial, 24VDC, UL CL I Div 2, CE
GP2501-TC11	10.4" TFT Color, 1 Serial, CF, 120VAC, UL CL I Div 2, CE
GP2501-SC11	10.4" STN Color, 1 Serial, CF, 120VAC, UL CL I Div 2, CE
GP2501-SC11-M	10.4" STN Color, 1 Serial, CF, 120VAC, CE, Conformal Coating
GP2501-LG41-24V	10.4" Mono, 1 Serial, CF, 24VDC, UL CL I Div 2, CE

OPERATOR INTERFACE LOGIC CONTROLLERS (supports Flex Network Modules)

Order Number	Description
GLC2500-TC41-24V	10.4" TFT Color, Integrated Control, Ethernet, CF, 2 Serial, 24VDC, UL
GLC2500-TC41-200V	10.4" TFT Color, Integrated Control, Ethernet, CF, 2 Serial, 120VAC UL
GLC2500-TC41-200V-M	10.4" TFT Control, Ethernet, CF, 2 Serial, 120VAC UL, Conformal Coating

12.1" OPERATOR INTERFACE AND LOGIC CONTROLLERS

STANDARD OPERATOR INTERFACE

Order Number	Description
GP2600-TC41-24V	12.1" TFT, 2 serial, Ethernet, CF, 24VDC, UL CL I Div 2, CE
GP2600-TC41-24V-M	12.1" TFT, 2 serial, Ethernet, CF, 24VDC, UL CL I Div 2, CE, Conformal Coating
GP2600-TC11	12.1" TFT, 2 serial, Ethernet, CF, 120VAC, UL CL I Div 2, CE
GP2600-TC11-M	12.1" TFT, 2 serial, Ethernet, CF, 120VAC, CE, Conformal Coating
GP2601-TC11	12.1" TFT, 1 serial, CF, 120VAC, UL CL I Div 2, CE
GP2600-TC41-24V-MBP	12.1" TFT, 2 serial, Ethernet, CF, 24VDC, UL CL I Div 2, CE, w/ CA3-MBPALL-41

OPERATOR INTERFACE LOGIC CONTROLLERS (supports Flex Network Modules)

Order Number	Description
GLC2600-TC41-24V	12.1" TFT Color, Integrated Control, Ethernet, CF, 2 Serial, 24VDC, UL
GLC2600-TC41-200V	12.1" TFT Color, Integrated Control, Ethernet, CF, 2 Serial, 120VAC UL
GLC2600-TC41-200V-M	12.1" TFT, Control, Ethernet, CF, 2 Serial, 120VAC UL, Conformal Coating



Powerful Data Sharing HMI Graphical Touch Screens

Monochrome, Amber, STN and TFT Full Featured HMI Solutions
 Available in 5.7", 7.4", 9.1", 10.4" and 12.1" Screen sizes
 Largest Selection of Protocols available!

GP2000H HANDHELD GRAPHIC TOUCH SCREEN



GP2301H Mono or STN Color



GP2401H TFT

Don't forget each unit needs (see accessories):

- Handheld RS-232 or RS-422 serial cable
- Use cable to breakout adapter for quick disconnect
- Breakout adapter to match serial cable
- PLC Cable wiring
- Customer supplied to breakout adapter screw terminals typically

Order Number	Description
GP2301H-LG41-24V	5.7" Mono LCD, CF, 1MB Memory, 320x240 res, 24VDC, UL, CE
GP2301H-SC41-24V	5.7" STN Color LCD CF, 1MB Memory, 320x240 res., 24VDC, UL, CE
GP2401H-TC41-24V	6.5" TFT Color LCD, CF, 2MB Memory, 640x480 res., 24VDC, UL, CE
GP2401H-TC41-24V-M	6.5" TFT LCD, CF, 2MB Memory, 640x480 res., 24VDC, UL, CE, Conformal Coating

GP2000H HANDHELD CABLES & ACCESSORIES

Order Number	Description
GP2000H-EMGD11	Replacement emergency switch guard for GP2000H
GP2000H-STRAP11	Neck Strap for GP2000H
GP2000H-C232-3M	RS-232 cable, 3m, connects to handheld, other end is open wires
GP2000H-C232-10M	RS-232 cable, 10m, connects to handheld, other end is open wires
GP2000H-D232-3M	RS-232 cable, 3m, D-Sub connector, connects handheld to GP2000H-AP232
GP2000H-D232-10M	RS-232 cable, 10m, D-Sub connector, connects handheld to GP2000H-AP232
GP2000H-AP232	RS-232 Breakout adaptor for use GP2000H-D232-xxx cables
GP2000H-C422-3M	RS-422 cable, 3m, connects to handheld, other end is open wires
GP2000H-C422-10M	RS-422 cable, 10m, connects to handheld, other end is open wires
GP2000H-D422-3M	RS-422 cable, 3m, D-Sub connector, connects handheld to GP2000H-AP232
GP2000H-D422-10M	RS-422 cable, 10m, D-Sub connector, connects handheld to GP2000H-AP232
GP2000H-AP422	RS-422 Breakout adaptor for use GP2000H-D422-xxx cables
GP2000H-DF10	GP2000H Handheld Touch Screen Protection Sheet (Qty 5)
GPH70-DF10-O	GPH70, QPH70 Handheld Touch Screen Protection Sheet (Qty 10)
GP2000H-AP70CB-D232-3M	RS-232 cable, 3m, connects GP2000H to GPH70 AP232-O Adapter
GP2000H-AP70CB-D422-3M	RS-422 cable, 3m, connects GP2000H to GPH70 AP422-O Adapter
GPH70-C232-O	RS-232C Cable, 3m, Connects to GP-H70 Handhelds other end is open wires
GPH70-C422-O	RS-422 Cable, 3m, Connects to GP-H70 Handhelds other end is open wires



LT/GLC150 Series Stand-Alone Graphic Logic Controllers

Discontinued Jan 1, 2010

IDEAL FOR LOW COST STAND-ALONE MACHINE CONTROL AND MONITORING

Various Models Supporting:

Built-in Discrete I/O for Integrated Control

Flex Network Interface for Distributed I/O applications

RTD and Thermocouple inputs for temperature monitoring

Analog inputs and outputs for Process Monitoring applications

Compatible with GP-PRO C-Package 03 software

Not intended for applications requiring:

Data Logging

Data Sharing

Networking over Ethernet or Industrial Networks

Compact Flash Data Storage/Backup

Multi-media features

(Use GLC2000 series for these applications)



LT/GLC150 Series Stand-Alone Graphic Logic Controllers

Discontinued Jan 1, 2010

Monochrome
or STN Color



Selection Guide	TYPE A1 -XY32SK- Models	TYPE A2 -XY32SC- Models	TYPE B+ -XY32KF- Models	TYPE B -FLEX- Models	TYPE C -RSFL- Models
16 24V Rated Discrete Inputs	√	√	√	None	None
16 24V Rated Discrete Outputs	√ Sink	√ Source	√ Sink	None	None
RS-232/RS-422 Com Port 25pin D-sub					√
Programming Download / Barcode input	via Tool Port Only	via Tool Port Only	via Tool Port Only	via Tool Port Only	via Tool Port Only
Supports Flex Network Modules			√	√	√
Supports Communication Modules	No	No	No	No	No
Compact Flash Socket	No	No	No	No	No
Certifications : CE, UL/cUL, CL I Div 2	√	√	√	√	√
Software Compatibility	GPPro-03	GPPro-03	GPPro-03	GPPro-03	GPPro-03

Monochrome
or STN Color



Selection Guide	Type H1 ADK Models	Type H2 ADC Models	Type H1 ADPK Models	Type H2 ADPC Models	Type H1 ADTK Models	Type H2 ADTC Models
16 Rated Discrete Inputs Supports up to four 10Kpps Inputs	√	√	√	√	√	√
16 Rated Discrete Outputs Supports up to four 5KHz pulse or 2.5KHz PWM outputs	√ Sink	√ Source	√ Sink	√ Source	√ Sink	√ Source
Analog Inputs & Output 0-20mA / 0-10VDC Configurable	√(2I,1O)	√(2I,1O)	√ (2I,2O)	√ (2I, 2O)	√ (2I, 2O)	√ (2I, 2O)
2pt RTD PT100 3-wire input			√	√		
3pt Type J/K Thermocouple Input					√	√
Programming Download / Barcode input	via Tool Port Only	via Tool Port Only	via Tool Port Only	via Tool Port Only	via Tool Port Only	via Tool Port Only
Supports Flex Network Modules	No	No	No	No	No	No
Compact Flash Socket	No	No	No	No	No	No
Certifications : CE, UL/cUL, CL I Div 2	√	√	√	√	√	√
Software Compatibility	GPPro-03	GPPro-03	GPPro-03	GPPro-03	GPPro-03	GPPro-03



LT/GLC150 Series Low Cost Graphic Logic Controllers

Blue/White displays and STN Color displays
 All-In-One Box HMI/PLC Solution, Ideal for small OEM machines
 Various Models for Integrated and Distributed I/O Applications
 Select Model based on I/O requirements and communication requirements

5.7" LT Type A1 & A2 INTEGRATED DISCRETE I/O GRAPHIC LOGIC CONTROLLERS

Order Number	Description
GLC150-BG41-XY32SK-24V	6" Blue/White, Type A1, 16 in, 16 out (sink), 24VDC, UL, CE
GLC150-BG41-XY32SC-24V	6" Blue/White, Type A2, 16 in, 16 out (source), 24VDC, UL, CE
GLC150-SC41-XY32SK-24V	6" STN Color, Type A1, 16 in, 16 out (sink), 24VDC, UL, CE

5.7" LT TYPE B & C DISTRIBUTED I/O GRAPHIC CONTROLLERS

Order Number	Description
GLC150-BG41-FLEX-24V	6" Blue/White, Type B, FN port, 24VDC, UL, CE
GLC150-BG41-RSFL-24V	6" Blue/White, Type C, FN port, RS-232/422, 24VDC, UL, CE

5.7" LT TYPE B+ (INTEGRATED AND DISTRIBUTED I/O) GRAPHIC CONTROLLERS

Order Number	Description
GLC150-BG41-XY32KF-24V	6" Blue/White, Type B+, FN port, 16 in, 16 out (sink), 24VDC
GLC150-SC41-XY32KF-24V	6" STN Color, Type B+, FN port, 16 in, 16 out (sink), 24VDC

5.7" LT TYPE H1 & H2 ANALOG & DISCRETE I/O GRAPHIC CONTROLLER

Order Number	Description
GLC150-BG41-ADC-24V	6" Blue/White, Type H2, 2Ain/1out, 16 in, 16 out (source), 24VDC
GLC150-BG41-ADK-24V	6" Blue/White, Type H1, 2Ain/1out, 16 in, 16 out (sink), 24VDC
GLC150-SC41-ADK-24V	6" STN 64 Color, Type H1, 2Ain/1out, 16 in, 16 out (sink), 24VDC

5.7" LT TYPE H1 & H2 RTD TEMPERATURE GRAPHIC CONTROLLER

Order Number	Description
GLC150-BG41-ADPC-24V	6" Blue/White, Type H2, 2Ain/2out, PT100 32DIO (source), 24VDC
GLC150-BG41-ADPK-24V	6" Blue/White, Type H1, 2Ain/2out, PT100, 32 DIO (sink), 24VDC
GLC150-SC41-ADPC-24V	6" STN 64 Color, Type H2, 2Ain/2out, PT100, 32 DIO (source), 24V
GLC150-SC41-ADPK-24V	6" STN 64 Color, Type H1, 2Ain/2out, PT100, 32 DIO (sink), 24VDC

5.7" LT TYPE H1 & H2 THERMOCOUPLE TEMPERATURE GRAPHIC CONTROLLER

Order Number	Description
GLC150-BG41-ADTC-24V	6" Blue/White, Type H2, 2Ain/2out, TC, 16 in, 16 out (source), 24V
GLC150-BG41-ADTK-24V	6" Blue/White, Type H1, 2Ain/2out, TC, 16 in, 16 out (sink), 24V
GLC150-SC41-ADTK-24V	6" STN 64 Color, Type H1, 2Ain/2out, TC, 16 in, 16 out (sink), 24V



**100% QuickPanel
Compatible
It's Our Product!**

PanelStation Operator Interface (Equivalent to GE Fanuc QuickPanel)



Selection Guide	QPM-3D200-B2P
Screen Size	5.7"
One RS-232/RS-422 Com Port 25pin D-sub	√
Supports Communication Modules	
Certifications	CE, UL/cUL
Software Compatibility	QuickDesigner 3.7 and service Packs



Selection Guide	QPK-CTDE-0000	QPK-STDN-0000	QPG-CTDE-0000
Screen Size	5.7"	5.7"	7.4"
Ethernet 10-BaseT	√		√
RS-232/RS-422 Com Port 25pin D-sub	√	√	√
Secondary RS-232 Port 9 pin D-sub	√		√
Supports Communication Modules	√	√	√
Compact Flash Socket	√	√	√
Certifications : CE, UL/cUL CL I Div 2	√	√	√
Software Compatibility	QuickDesigner 3.7 and service Packs	QuickDesigner 3.7 and service Packs	QuickDesigner 3.7 and service Packs



Selection Guide	QPI-31200-E2P QPI-3D200-E2P	QPI-CTAE-0000 QPI-CTDE-0000	QPL-CTAE-0000 QPL-CTDE-0000
Screen Size	9.1"	10.4"	12.1"
Ethernet 10-BaseT		√	√
RS-232/RS-422 Com Port 25pin D-sub	√	√	√
Secondary RS-232 Port 9 pin D-sub		√	√
Supports Communication Modules	√	√	√
Compact Flash Socket		√	√
Certifications : CE, UL/cUL CL I Div 2	DC Powered unit	√	√
Software Compatibility	QuickDesigner 3.7 & service packs	QuickDesigner 3.7 & service packs	QuickDesigner 3.7 & service packs



**100% QuickPanel
Compatible
It's Our Product!**

Legacy HMI Graphical Touch Screens

Monochrome, Amber, STN and TFT Full Featured HMI Solutions
Available in 5.7", 7.4", 9.1", 10.4" and 12.1" Screen sizes
QuickDesigner Compatible

QUICKDESIGNER 3.7 SOFTWARE *



Pro-face America's version of QuickDesigner is functionally equivalent to the GE Fanuc version however we do not provide GE drivers. Software service packs for our version of QuickDesigner are not compatible with GE version and vice versa.

Order Number	Description
QDA-EDT-001	QuickDesigner 3.7 software w/ GPW-CB02 RS232 program cable Not Supported on Windows XP operating System
QDA-EDT-001/L	QuickDesigner 3.7 software -no download cable Not Supported on Windows XP operating System

Quick Designer 3.7 and available service packs are **strongly** recommended for all installations. Quick Designer 3.7 latest service packs can be found at www.profaceamerica.com.

Migration Recommendations

Pro-face America recommends PanelStation users migrate to Pro-face AGP3000 product line. In most cases products are cutout compatible. To move QuickDesigner software HMI applications into the AGP3000 platform, contact your local Pro-face Area Manager for help on availability of QuickDesigner conversion tools. In any event, it is highly recommended your customer download the PanelStation Product Life Cycle and Migration Guide from our corporate web site at www.profaceamerica.com.

PanelStation Product Notes:

- 1) To guarantee and maintain compatibility with PanelStation HMI products, QuickDesigner 3.7 is required along with all available service packs.
- 2) QuickDesigner is designed for Windows 2000, 95, 98. **It is not supported for Windows XP or Vista operating systems.**
- 3) GP-Pro EX does not directly import a QuickDesigner application in GP-Pro EX. See your Area Manager for support. The advantage of GP-Pro EX is its ease of use and intuitiveness.



**100% QuickPanel
Compatible
It's Our Product!**

Legacy HMI Graphical Touch Screens

Monochrome, Amber, STN and TFT Full Featured HMI Solutions
Available in 5.7", 7.4", 9.1", 10.4" and 12.1" Screen sizes
QuickDesigner Compatible

5.7" GRAPHIC TOUCH SCREEN

Order Number	Description
QPM-3D200-B2P	6" Blue/White LCD, 1 Serial port, 24VDC, UL, CE
QPK-STDN-0000	6" STN Color, Serial, CF, 24VDC, UL CI 1Div 2, CE
QPK-CTDE-0000	6" TFT Color, Ethernet port, CF, 24VDC, UL CI 1Div 2, CE

7.4" & 9.1" GRAPHIC TOUCH SCREENS

Order Number	Description
QPG-CTDE-0000	7.4" TFT Color, Ethernet, CF, 2 Serial, 24VDC, UL CL I Div 2, CE
QPI-3D200-E2P	9.1" Amber EL, 1 Serial port, 24VDC, Discontinued Nov 1, 2009
QPI-31200-E2P	9.1" Amber EL, 1 Serial port, 120VAC Discontinued Nov 1, 2009

10.4" & 12.1" GRAPHIC TOUCH SCREENS

Order Number	Description
QPI-CTDE-0000	10.4" TFT Color, Ethernet, CF, 2 Serial, 24VDC, UL CL I Div 2, CE
QPI-CTAE-0000	10.4" TFT Color, Ethernet, CF, 2 Serial, 120VAC UL CL I Div 2, CE
QPL-CTDE-0000	12.1" TFT, 2 serial, Ethernet, CF, 24VDC, UL CL I Div 2, CE
QPL-CTAE-0000	12.1" TFT, 2 serial, Ethernet, CF, 120VAC, UL CL I Div 2, CE

PANELSTATION AB HMI KITS

Order Number	Description
ABK-STDN-0000/SER	6" STN Serial 24VDC
ABK-STDN-0000/ABD	6" STN w/AB DH+, 24VDC
ABK-STDN-0000/ABR	6" STN w/AB RIO, 24VDC
ABK-STDN-0000/DVN	6" STN w/AB DeviceNet, 24VDC
ABK-CTDE-0000/SER	6" TFT Serial 24VDC
ABK-CTDE-0000/ABD	6" TFT w/AB DH+, 24VDC
ABK-CTDE-0000/ABR	6" TFT w/AB RIO, 24VDC
ABK-CTDE-0000/DVN	6" TFT w/AB DeviceNet, 24VDC
ABI-CTDE-0000/ABR	10.5" TFT Ethernet w/AB RIO, 24VDC

AGP3000 SERIES COMMUNICATION MODULES



Communication modules interface AGP3000 Series to various industrial networks. The communication module mounts directly to the backside of the AGP3000 unit via supplied mounting screws.

It is necessary to check UL certifications for hazardous locations when combining communication modules with an HMI unit.

Order Number	Description
CA5-PFSALL/EX-01	Profibus DP Slave comm module
CA6-DNSALL/EX-01	DeviceNet Comm Module
CA7-CCLALL/EX-01	CC-Link unit for the AGP3000 Series (Intelligent Device Station)
CA9-CANALL/EX-01	CANopen Slave Comm Module for AGP3000
XBTZ-GUMP	Modbus Plus module

COMMUNICATION MODULES FOR GP, GLC and PanelStation



Communication modules interface GP270, GP477R, GP2000/01, GLC2000 and PanelStation Series to various popular industrial networks. These communication modules mount directly to the backside of the GP or GLC Series unit via supplied mounting screws.

It is necessary to check UL approval ratings for hazardous locations when combining communication modules with an HMI or Graphic Logic Controller unit.

GP270, GP377, QPJ-2D100-x2P and QPK-3D200-x2P COMMUNICATION MODULES

Order Number	Description
QPJ-ABD-201	AB Data Highway Plus comm module, UL1604, CE
QPJ-ABR-201	AB 1771 Remote I/O comm module, UL1604, CE
QPJ-MBP-XA1	Modicon Modbus Plus comm module, UL1604, CE (See Note 1)
QPJ-PBS-201	Profibus DP Slave comm module (QuickDesigner Only)
QPJ-DVN-202	DeviceNet Slave Interface module

Note:

- 1) QPJ-MBP-XA1 is a direct drop-in replacement for QPJ-MBP-201 communication modules.
- 2) For QPK-CTDE-0000 and QPK-STDN-0000 see section below

GP477R, GP577R, QPI-3x200-E2P, QPI-3x200-x2P COMMUNICATION MODULES

Order Number	Description
QPI-ABD-201	AB Data Highway Plus comm module, UL1604, CE
QPI-ABR-201	AB 1771 Remote I/O comm module, UL1604, CE
QPI-MBP-XA1	Modicon Modbus Plus comm module, UL1604, CE (See Note 1)
QPI-PBS-201	Profibus DP Slave comm module (QuickDesigner Only)
QPI-DVN-202	DeviceNet Slave comm Module
GP070-DN41	DeviceNet Slave comm module, UL, CE
GP077-MLTE41	GP477R Multi Unit E with Ethernet, sound, Compact Flash

Note:

- 1) QPI-MBP-XA1 is a direct drop-in replacement for QPI-MBP-201 communication modules.

GP2300, GP2301, GLC2300, QPK-CTDE-0000, QPK-STDN-0000 Communication Modules



PSM-CONV00 Adapter
(See Note 2 Below)

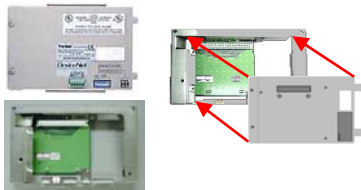
Communication modules for 6” Ethernet-based HMI units. Models Supported include: GP2300, GP2301, GLC2300 and PanelStation QPK-CTDE-0000, QPK-STDN-0000. These communication modules mount directly to the backside of the HMI unit via supplied mounting screws. The PSM-CONV00 is required when using the QPJ communication modules.

Order Number	Description
QPJ-ABD-201	AB Data Highway Plus comm module , UL1604, CE (See Note 2)
QPJ-ABR-201	AB 1771 Remote I/O comm module, UL1604, CE (See Note 2)
CA3-MBPALL-41	Modbus Plus comm. Module, UL, CE (See Note 1)
PSM-CONV00	Required adapter when using QPJ comm. Modules (See Note 2)

Notes:

- 1) The CA3-MBPALL-41 will connect directly to a QPK-CTDE-0000 or QPK-STDN-0000 without the use of the PSM-CONV00 adapter module.
- 2) The PSM-CONV00 is required for GP2300, GLC2300, GP2301, QPK-CTDE-0000 and QPK-STDN-0000 when using the QPJ-ABD-201, QPJ-ABR-201, QPJ-GEG-201, QPJ-PBS-201, and QPJ-DVN-202 modules.

GP/GLC 2400, 2500, 2600 Series, QPG/QPI/QPL-CTxE-0000 Communication Modules



PSL-CONV00

Communication modules for GP2000, GP2001, GLC2000 and Ethernet-based PanelStation Products 7.4” and larger HMI units. These communication modules mount directly to the backside of the HMI unit via supplied mounting screws. It is necessary to check UL approval ratings for hazardous locations when combining communication modules with an HMI or Graphic Logic Controller unit.

GP2400, GP2401, GLC2400, QPG-CTDE-0000	Compatible HMI units
GP2500, GP2501, GLC2500, QPI-CTxE-0000	
GP2600, GP2601, GLC2600, QPL-CTx0-0000	

Order Number	Description
QPI-ABD-201	AB Data Highway Plus comm module, UL1604, CE (See Note 1)
QPI-ABR-201	AB 1771 Remote I/O comm module, UL1604, CE (See Note 1)
QPI-PBS-201	Profibus DP Slave comm. module (See Note 1, 2)
QPI-DVN-202	DeviceNet Slave comm. Module (See Note 1)
CA3-MBPALL-41	Modbus Plus comm module, UL, CE (no adapter required)
PSL-CONV00	Required adapter when using QPI communication modules

- 1) The PSL-CONV00 is required when using the QPI-ABD-201, QPI-ABR-201, QPI-GEG-201, QPI-PBS-201, and QPI-DVN-202 modules.
- 2) QPI-PBS-201 for QuickDesigner applications only

FLEX NETWORK I/O MODULES for DISTRIBUTED I/O APPLICATIONS



Supported by GP-PRO 03 and GP-PRO EX Version 1.1 HMI configuration software
 Compatible with any AGP3000, GLC2000 or GLC150 that supports a Flex Network Interface

Up to 63 FN nodes can be connected to one GLC unit or AGP3000 units
 Support up to 1008 Flex network I/O points per GLC or 512 I/O points per AGP3000

Supported by GP-PRO 03 and GP-PRO EX Version 1.1 HMI configuration software

Requires the use of at least one of the following cables

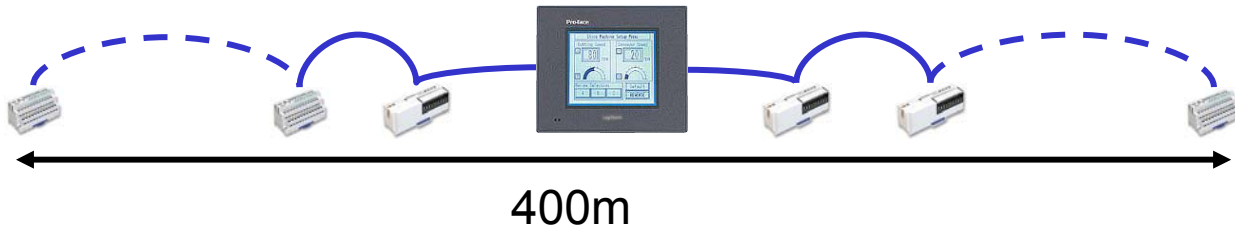
- FN-CABLE-2010-31-MS 10 Meter Flex Network Cable
- FN-CABLE-2050-31-MS 50 Meter Flex Network Cable
- FN-CABLE-2200-31-MS 200 Meter Flex Network Cable

Note: These cables do not use connectors and can be cut to length

FLEX NETWORK MODULES for AGP3000, GLC2000 & LT/GLC150 SERIES

Distributed I/O Modules – Mix & Match

Analog – Discrete – High Speed Counter – Single Axis Positioning



Order Number	Description
Discrete I/O Modules	
FN-X32TS41	32 point Discrete Input (CE/UL/cUL)
FN-Y08RL41	8 Relay Discrete Output, 1 Common (CE/UL/cUL)
FN-XY16SK41	16 point Discrete Input, 16 point Sink Transistor Output (CE/UL/cUL)
FN-XY16SC41	16 point Discrete Input, 16 point Source Transistor Output (CE/UL/cUL)
FN-XY32SKS41	32 point Discrete Input, 32 point Sink Transistor Output (CE/UL/cUL)
Analog I/O Modules	
FN-AD02AH41	2-Channel Analog Input: 0-10VDC 0-20ma, 4-20ma (CE/UL/cUL)
FN-AD04AH11	4-Channel Analog Input: 0-10VDC, +/-10VDC, 0-20ma, 4-20ma
FN-DA02AH41	2-Channel Analog Output: 0-10VDC 0-20ma, 4-20ma (CE/UL/cUL)
FN-DA04AH11	4-Channel Analog Output 0-10VDC, +/-10VDC, 0-20ma, 4-20ma

FLEX NETWORK CABLES & CONNECTORS

Order Number	Description
142055	Replacement DeviceNet Master Connector for GLC150 Type D or CA2-DNMALL-41
TermBLK40	Terminal Block, 40 terminal, 32 point I/O, for GLC150 TYPE A1, A2 & B+
CABIO2M	CABLE, I/O, 2M, connects TERMBLK40 to GLC150 TYPE A1, A2 AND B+
GLC-TMCN01	Replacement Temperature Input Connector for GLC150(LT) Type H (5/Pack)
GLC-DIOCN02	Replacement DIO Connector (Crimp) for GLC150(LT) Type A1, A2 and B+
GLC-DIOCN03	Replacement DIO Connector (Spring Clamp) for GLC150(LT)Type B, B+ & C
GLC-DIOCN04	DIO CONNECTOR FOR LT TYPE H (2/PACK)
GLC-AIOCN01	ANALOG I/O CONNECTOR FOR LT TYPE H (5/PACK)
GLC100-DIOCON01	DIO Connector/cover for GLC150 Type A1 and A2 (qty 5)
FN-IFCN01	Flex Network Connector for GLC150 Type B, B+ and C (5 sets)
GLC2300-FNCN01	Flex Network Connector for GLC2300 (5 sets)
GPL-AXCN01	Flex Network AUX Connector for GLC2500, GLC2600 (Qty 1)
GPM-AXCN01	Flex Network AUX Connector for GLC2400 (Qty 1)
FN-CABLE-2010-31-MS	10 Meter Flex Network Cable
FN-CABLE-2050-31-MS	50 Meter Flex Network Cable
FN-CABLE-2200-31-MS	200 Meter Flex Network Cable

VIDEO MIX UNIT FOR AGP3000, GP2000, GLC 2000 10", 12" and 15" TFT



Optional video mix modules support up to 4 NTSC/PAL Video Camera Inputs, for use on select 10", 12" and 15" TFT AGP3000, GP2000, and GLC2000 Operator Interfaces.

Order Number	Description
GP3000-VM01	Video Module (4x BNC IN, 1x DVI IN, 1x DVI OUT) for AGP35x0T/36x0T/3750T
GP3000-DVI01	Video Module (1x DVI IN) for AGP35x0T/36x0T/3750T
GP3000-RGB201	Video Module (2x RGB IN) for AGP35x0T/36x0T/3750T
GP2000-VM41	Video Mix unit for select AGP, GP/GLC Operator Interfaces (includes RGB out)
GP2000-VM41-M	Video Mix unit for select AGP, GP/GLC Operator Interfaces (includes RGB out) Conformal Coating

Pro-face Programming Cables, Printer Cables and Serial Port Isolators

PROGRAMMING CABLES & PRINTER CABLES

Order Number	Description
CA3-USBCB-01	AGP3000 Programming Cable: Connects AGP3000 USB Port to PC USB Port
CA5-USBEXT-01	USB Extension Cable: 1M, Front Panel adapter cable allows USB
CA9-USBAMB/5M-01	Mouse Emulation cable USB (A - mini-B, 5m) for GP3000-RGB201 video module
CA9-USBATRGB/MB-01	USB Cable clamp for GP3000-RGB201 video module (Qty 2)
FP-US00	AGP3000 Printer Cable 5M: AGP3000 USB port to USB printer
GPW-CB02	GP/GLC/ST/LT/PanelStation RS-232 HMI Programming Cable: Connects HMI to PC Port 9 pin D-Sub (not for use with AGP3000)
GPW-CB03	USB HMI Programming Cable: Connect HMI to PC USB port (not for use with AGP3000 products)
HMI-CAB-ETH	Ethernet crossover cable 6 ft: HMI to PLC Ethernet port Can be used to program any HMI unit with an Ethernet port
PSM-PRCB00	Serial Printer Cable for GP/GLC 2400, 2500, 2600 series units
HMI-CAB-C99	Parallel Printer Cable for GPx77series and PanelStation units
HMI-CAB-C105	Printer cable, PanelStation tool port to 9 pin female connector RS-232, 10ft

SERIAL PORT ISOLATORS

Order Number	Description
CA2-ISOALL232-01	RS-232 Port Isolator for GP/GLC2000, PanelStation 25Pin D-sub serial ports
CA2-ISOALL422-01	RS-422 Port Isolator for GP/GLC2000, PanelStation 25Pin D-sub serial ports
CA3-ISO232-01	RS-232 Port Isolator for AGP3000 serial port
CA3-ISO485-01	RS-485 Port Isolator for AGP3000 Com 2 serial port

AGP3000 and LT3000 ADAPTERS AND CABLE ACCESSORIES

Order Number	Description
CA4-ADPONL-01	Online adapter 9 pin Dsub plug to 9 pin Dsub socket. Polarization adapter for RS422/RS485 communications
CA3-ADPCOM-01	Port adapter 9 pin Dsub socket to 9 pin Dsub socket. Connects optional RS422 communication items to AGP3000 Com Port 1
CA3-CBLCBT232-01	Adapter cable: RS232 9 to 25 pin Dsub socket 0.2m length for use with HMI-CAB-Cxxx cables
CA3-CBLCBT422-01	Adapter cable: RS422 9 to 25 pin Dsub socket 0.2m length for use with HMI-CAB-Cxxx cables
CA3-ADPSEI-01	Connects Siemens PLC to AGP3000 RS485 COM 2 port. 9 pin Dsub plug to 9pin Dsub socket
CA3-ADPTRM-01	RS422 Adapter: 9 pin Dsub plug to screw terminals.
CA3-BUSCVR-01	Replacement Bus Connector Cover for AGP3000
CA5-USBATL-01	USB Cable clamp for HMIs with 2 USB ports to prevent disconnection
CA5-USBATM-01	USB Cable clamp for HMIs with 1 USB port to prevent disconnection
CA5-AUXCNALL-01	The Aux connector for AGP3000 series for sound, buzzer, reset I/O
CA5-DCCNL-01	Power Connector for AGP36xx/35xx DC Units.(5pcs)
CA5-DCCNM-01	Power Connector for AGP34xx/33xx DCUnits. (5pcs)
CA6-USB232-01	USB-SIO (RS232C) Convert Cable
CA6-DIOCNALL-01	Replacement 12 pin Discrete I/O Connector for AGP3000 unit (5pcs)
CA6-FNCNALL-01	Replacement Flex Network Connector for AGP3000 unit (5pcs)
CA7-USBAT6-01	USB Cable clamp for LT330x to prevent cable disconnection
CA8-USBATALL-01	USB Cable clamp for AGP3310/3360 to prevent cable disconnection (Qty 5)

**PLC CABLES FOR AGP3000, ST40x HMI Units
FOR USE WITH RS-232 and RS-422 9 PIN D-Sub SERIAL PORTS**

Extended length cables identified by “-20x, -30x, -50x” where number denotes length in feet

PLC Manu.	Description	Order Number
AGP3000 & ST40x Generic PLC Cables & Adapters		
	Connects to AGP3000/ST40x Serial Port with 9 conductor open ended wires for connecting to 3 rd party screw terminal devices.	HMI-CAB-ST001
	RS-232C cable, 5M connects to AGP3000 COM 1/ ST401 other end is 25pin D-sub male	CA3-CBL232/5M-01
	RS-232C cable, 5M Cross Type 25 pin D-sub connector On both ends. Requires CA3-CBLCBT232-01	GP410-IS00-O
	RS-422 cable, 5M connects to AGP3000 COM 1 ST400/403, other end is 6 wire spade lug	CA3-CBL422/5M-01
	RS-422 cable, for AGP3000 Com Port 2 with open ended wires at other end for connecting to 3 rd party screw terminal devices.	CA3-CBL422-01
	RS-422/485 Multi-link PLC Cable, 5M: Connects AGP3000 Com Ports via Online adapter or port adapter. Other end is open wires.	CA3-CBLMLT-01
	RS-422 Serial 25 pin D-sub connector to 9 pin D-sub (5M) Requires CA3-CBLCBT422-01	GP230-IS11-O
	AGP3000 USB to Serial Port Converter Cable (Use with Modems)	CA6-USB232-01
Allen Bradley		
SLC 5/03, 5/04	Connects AGP3000/ST401 and ST403 to AB PLC via RS-232 9 pin D-sub	HMI-CAB-ST52 HMI-CAB-ST52-30X HMI-CAB-ST52-50X
Micrologix	Connects AGP3000/ST401 to PLC RS-232 8 pin circular DIN port	HMI-CAB-ST106
ASCII Drop		
	Connects AGP3000 to 3 rd party RS-232 screw terminals	HMI-CAB-ST001
	Connects AGP3000 Com 1 to 3 rd party RS-422 screw terminals	CA3-CBL422/5M-01
	Connects AGP3000 Com 2 to 3 rd party RS-422 screw terminals	CA3-CBL422-01
Mitsubishi		
2 Port Adapter II Adapter cable	A/QnA/FX series for AGP3000, GP/GLC2000 PanelStation AGP3000 RS-422, 5m cable for 2 Port Adapter II (GP070-MD11)	GP070-MD11 CA3-MDCB11
A Series	RS-422, 5M, connects AGP3000/ST400 to MITSUBISHI A PLC	CA3-CBLA-01
FX, FXO	Connects AGP to PLC program port FX, FXO via RS-422 9 pin D-sub (note: FXO requires Adapter)	CA3-CBLFX/1M-01 CA3-CBLFX/5M-01
Q Series Q/QnA	RS-232, 5M, connects AGP3000/ST401 to Q series PLC RS-232 Link Cable, 5M, connects AGP3000 to Q/QnA PLC	CA3-CBLQ-01 CA3-CBLLNKMQ-01
Omron		
SYSMAC	RS-232C cable, 5M, connects AGP3000/ST401 to PLC	CA3-CBLSYS-01
Siemens		
S7-200,300,400 MPI	Siemens S7 MPI for AGP3302B and AST3201 (com 2) to PLC -OR- For S7-200 on ST400, ST403 and AGP3000 units (com 1)	ST03-A2B-MPI21-PFE
S7-200,300,400 MPI	Siemens S7 MPI communications cable for all AGP3000 models, com2 port (except AGP3200 and AGP3302B)	GP3000-MPI121-PFE
S5 Family (TTY)	Siemens S5 TTY Converter Cable for use with AGP3000 (com1) and ST401/403 units.	CA6-CBLTTY/5M-01
Adapter	Connects Siemens S7 MPI via Profibus cabling to AGP3000 RS485 COM 2 port (except AGP3200 and AGP3302B)	CA3-ADPSEI-01

PLC CABLES FOR GP2000, GLC2000, FG & GP37W2/W3, and PANELSTATION FOR USE WITH RS-232/RS-422 25 PIN D-Sub SERIAL PORTS

All Cables 10 Feet in length unless noted otherwise.

Extended length cables identified by "-20x, -30x, -50x" where number denotes length in feet

PLC Manu.	Description	Order Number
Generic PLC Cables & Adapters		
RS-232	Connects GP/GLC to PLC RS-232 port via open wires	HMI-CAB-C232
RS-232C	Cross Type 25 pin D-sub connector both ends (5M)	GP410-IS00-O
RS-232	RS-232 Straight Cable with 25 pin D-sub both ends (5M)	GP410-IS01-O
RS-422	Connects GP/GLC to PLC RS-422 port via open wires	HMI-CAB-C422
RS-422	Serial 25 pin D-sub connector to 9 pin D-sub (5M)	GP230-IS11-O
RS-422	Multi-link 25 pin D-sub connector to 9 pin D-sub (5M)	GP230-IS12-O
Adapter	RS-422 25 Pin D-sub to screw terminal adapter	GP070-CN10-O
Allen Bradley		
SLC 500, 5/01 5/02, 5/03	Connects GP/GLC to SLC DH485 Program Port via 8 pin RJ45 modular phone connector	HMI-CAB-C83 HMI-CAB-C83-20x
SLC 500, 5/01 5/02, 5/03	Connects GP/GLC to SLC DH485 Program Port via 8 pin RJ45 modular phone connector plus includes 8 pin Socket modular phone, 6 foot	HMI-CAB-C84 HMI-CAB-C84-20X
SLC 5/03, 5/04	Connects GP/GLC to SLC RS-232 9 pin D-sub port	HMI-CAB-C52 HMI-CAB-C52-30X
PLC-5	Connects GP/GLC to PLC-5 RS-232 25 pin D-sub port	HMI-CAB-C53
PLC-2	Connects GP/GLC to PLC-2 RS-422 15 pin D-sub Program port	HMI-CAB-C90
Micrologix	Connects GP/GLC to Micrologix RS-232 8 pin circular DIN port	HMI-CAB-C106
Remote I/O Data Highway Plus		See Communication Modules See Communication Modules
AIC+ Port 3	Connects GP/GLC to AIC Port 3 via open end wires	HMI-CAB-C117A
ASCII Single Drop		
	Connects GP/GLC to 3 rd party RS-232 screw terminal serial port	HMI-CAB-C232
	Connects GP/GLC to 3 rd party RS-422 screw terminal serial port	HMI-CAB-C422
Aromat (Panasonic/Matsushita)		
FP1 (MEWNET)	Connects GP/GLC to Aromat PLC via RS-232 9 pin D-sub	HMI-CAB-C111
GE Fanuc		
90/30, 90/70	Connects GP/GLC to PLC RS-422 Program port via 15 pin D-sub	HMI-CAB-C82
SNP protocol	Connects GP/GLC to PLC CMM Module via RS-232 25 pin D-sub	HMI-CAB-C53
	Connects GP/GLC to PLC CMM Module via RS-422 25 pin D-sub	HMI-CAB-C93
IDEC		
Micro-1, FA	Connects GP/GLC to PLC RS-232 25 pin D-sub port via link Adapter	HMI-CAB-C53
Micro 3	GP/GLC to Micro 3 PLC RS-232 9 pin D-sub port	HMI-CAB-C109
Keyence		
KV-L2 Port 1	Connects GP/GLC to PLC Port 1 via RS-232 25 pin D-sub	HMI-CAB-C53

PLC CABLES FOR GP2000, GLC2000, FG & GP37W2/W3, and PANELSTATION FOR USE WITH RS-232/RS-422 25 PIN D-Sub SERIAL PORTS

All Cables 10 Feet in length unless noted otherwise.

Extended length cables identified by “-20x, -30x, -50x” where number denotes length in feet

PLC Manu.	Description	Order Number
Koyo/PLC Direct		
DL430, 440 P2	Connects GP/GLC to PLC RS-232 25 pin D-sub port	HMI-CAB-C53
D4-DCM	Connects GP/GLC to PLC RS-232 25 pin D-sub port	HMI-CAB-C53
DL330	Connects GP/GLC to PLC RS-232 25 pin D-sub port	HMI-CAB-C53
DL330P	Connects GP/GLC to PLC RS-232 25 pin D-sub port with use of D3-232-DCU	HMI-CAB-C53
DL350 Port 2	Connects GP/GLC to PLC RS-232 port via 25 pin D-sub	HMI-CAB-C53
DL450P Port A	Connects GP/GLC to PLC RS-232 port via 25 pin D-sub	HMI-CAB-C53
DL250 Port 1	Connects GP/GLC to PLC RS-232 via 6-pin Modular Phone	HMI-CAB-C86
DL350 Port 1	Connects GP/GLC to PLC RS-232 via 6-pin Modular Phone	HMI-CAB-C86
DL240 Port 2	Connects GP/GLC to PLC RS-232 via 6-pin Modular Phone	HMI-CAB-C86
Mitsubishi		
2 Port Adapter II Adapter cable	A/QnA/FX series for AGP3000, GP/GLC2000 PanelStation GP/GLC2000 RS-422, 5m, for 2 Port Adapter II (GP070-MD11)	GP070-MD11 GP070-MDCB11
Series A1S	Connects GP/GLC to PLC A1SJ71C24-R2 via RS-232 9 pin D-sub	GP000-IS02-MS
Series A	Connects GP/GLC to PLC computer interface RS-232 25 pin D-sub	HMI-CAB-C53
Series A	Connects GP2000 to Mitsubishi A Series PLC Programming Port (5m)	GP2000-CBLA/5M-01
FX, FXO	Connects GP/GLC to PLC program port FX, FXO via RS-422 25 pin D-sub (note: FXO requires Adapter)	GP2000-CBLFX/1M-01 GP2000-CBLFX/5M-01
	Connects GP/GLC to Mitsubishi Programming Port	HMI-CAB-C91
	Connects GP/GLC to Mitsubishi FX Programming Port	GP430-IP10-O GP430-IP11-O
Series Q	Connects GP2000 to Mitsubishi Q Series PLC Programming Port (5m)	GP2000-CBLQ/5M-01
Modicon		
984 A, B, X	Connects GP/GLC to PLC RS-232 port via 25 pin D-sub	HMI-CAB-C53
984 Slot /compact	Connects GP/GLC to PLC RS-232 port via 9 pin D-sub	HMI-CAB-C58
984 Micro	Connects GP/GLC to PLC RS-232 port via RJ45	HMI-CAB-C102
Omron		
CS1	Omron CS1 Cable, Connects to GP/GLC via 25 pin D-sub	GP000-IS03-MS
C200H	Connects GP/GLC to PLC RS-232 port via 25 pin D-sub	HMI-CAB-C53
C20H, CQM1	Connects GP/GLC to PLC RS-232 port via 9 pin D-sub	HMI-CAB-C67
Sysmac	Connects GP2000 to Omron Sysmac PLC Program Port (5m)	GP2000-CBLSYS/5M-01
Reliance		
Automate program	Connects GP/GLC to PLC RS-232 port via 25 pin D-sub port, R-net gateway	HMI-CAB-C53
Siemens		
MPI Cable	Connects GP/GLC to Siemens PLC via MPI connection	GP070-MPI-41
S5 family	HMI to PLC program port via 15 pin current loop For PanelStation/QuickDesigners users only. For GP/GLC GP-PRO/ GP PRO EX Software	HMI-CAB-C76 Contact Pro-face for Support
3964R 928B	Connects GP/GLC to PLC RS-232 port via 25 pin D-sub	Contact Pro-face for Support
S7-200 PPI	Connects GP/GLC to PLC RS-422 port via 9 pin D-sub	HMI-CAB-C110 HMI-CAB-C110-20x
S7-300 MPI	Connects GP/GLC to PLC RS-232 port via 9 pin D-sub	Contact Pro-face for Support

PLC CABLES FOR GP2000, GLC2000, FG & GP37W2/W3, and PANELSTATION FOR USE WITH RS-232/RS-422 25 PIN D-Sub SERIAL PORTS

All Cables 10 Feet in length unless noted otherwise.

Extended length cables identified by “-20x, -30x, -50x” where number denotes length in feet

PLC Manu.	Description	Order Number
Simatic TI		
305 w/RS-232DCU	Connects GP/GLC to PLC Port 1 via RS-232 25 pin D-sub	HMI-CAB-C53
405 series	Connects GP/GLC to PLC Port 1 via RS-232 25 pin D-sub	HMI-CAB-C53
500 series	Connects GP/GLC to PLC Program Port via RS-232 25 pin D-sub	HMI-CAB-C53
500 series	Connects GP/GLC to PLC RS-422 port via 9 pin D-sub	HMI-CAB-C92
505 series	Connects GP/GLC to PLC Program Port via RS-232 9 pin D-sub	HMI-CAB-C101
TI545-1102	Connects GP/GLC to PLC Program Port via RS-422 9 pin D-sub	Contact Pro-face for Support
Square D		
Symax 50 via link adapter	Connects GP/GLC to PLC Port 1 via RS-232 25 pin D-sub	HMI-CAB-C53
Symax 100	Connects GP/GLC to PLC RS-422 port via 9 pin D-sub and greater	HMI-CAB-C94
Toyopuc		
Toyopuc PC2F	GP/GLC to PLC RS-422 port via half duplex 4 spade lug wires	HMI-CAB-C114
Uni-Telway		
TSX37 Series	Connects GP/GLC to PLC via 8 pin Mini DIN connector	HMI-CAB-C116

Pro-face Accessories – Maintenance and Replacement Components

HMI MISCELLANEOUS ACCESSORIES

Order Number	Description
GP070-AT01	Mounting Fasteners, 1 set of 4 fasteners for GP/GLC, ST, PanelStation
CA3-ATFALL-01	Mounting Fasteners, 1 set of 4 fasteners for AGP3000 units
CA4-ATM5-01	AGP3300 Panel Adapter: Mounts AGP3300 in GP37W2 or GP37W3 cutout
CA4-ATM10-01	AGP3500T Panel Adapter: Mounts AGP3500 in GP2500 cutout
CA4-ATMST-01	Panel Adapter: Mounts AGP3200/ST40x in GP270 or QPJ-2Dx cutout
CA1-STDLRG-01	Desktop Stand for GP250x and GP260x units
CA1-RCVLRG-01	Rear cover for GP250*/GP2600/GLC2600
CA1-WMALRG-01	Wall Mount Adapter for GP2000H handhelds, GP250x and GP260x units
GP077-SDAD10	Multi Unit Pin Jack Adapter for GP/GLC with sound output
GP3000-EXDM01	8MB Expansion Memory for AGP34x0/35x0/36x0/3750

COMPACT FLASH CARDS & ACCESSORIES

Order Number	Description
CA3-CFCALL/256MB-01	256MB Compact Flash card for Pro-face products
CA3-CFCALL/512MB-01	512MB Compact Flash card for Pro-face products
CA6-CFCALL/1GB-01	1GB Compact Flash card for Pro-face products
CA8-CFCALL/2GB-01	2GB CompactFlash Card
144766	8GB Compact Flash card for Pro-face products
GP077-CFAD10	Adapter: Compact Flash card PCMCIA adapter
GP077-CFFM10	Front Access Panel Mount CF Card Maintenance Unit for GP/GLC2500/2600

CLEAR PROTECTIVE TOUCH SCREEN OVERLAYS

Order Number	Description
CA3-DFS6-01	5.7" Touch Screen Protection Sheet (Qty 5) AGP3300/3302 units
CA3-DFS12-01	12.1" Touch Screen Protection Sheet (Qty 5) AGP3600/3650 units
CA3-DFS15-01	15" Touch Screen Protection Sheet (Qty 5) AGP3700/AGP3750
CA4-DCMDL-01	5.7" Environmental Protection Sheet (Hard, Qty 5) for 5.7" HMI
CA5-DFS10-01	10.4" Protection Sheet (Qty 5) AGP3500/3550 TFT units and PS3650 PC
CA6-DFS4-01	3.8" Hard Type Screen Protection Sheet, for GP32xx/LT32xx (5 PCS)
CA8-ODP10-01	10.4" Touch Screen Protection Sheet (Hard, Qty 5) for AGP35x0 TFT
GP270-DF10-O	GP270 Touch Screen Protection Sheet (Qty 10)
GP370-COVER-20P	GP370 Touch Screen Protection Sheet (Qty 10)
GP470/477-COVER-10P	GP470/477R, QPI-2x100-E2P Screen Soft Protection Sheet (Qty 10)
GP470/477-DF10	GP470/477R Touch Screen Hard Protection Sheet (Qty 5)
GP570/577-DF10-O	GP570/577R Touch Screen Protection Sheet (Qty 5)
GP37W2-DF00	GP37W2, GP37W3, QPM-3D200-B2P, GLC150 Protection Sheet (Qty 5)
GP2000H-DF10	GP2000H Handheld Touch Screen Protection Sheet (Qty 5)
GPH70-DF10-O	GPH70, QPH70 Handheld Touch Screen Protection Sheet (Qty 10)
HMI-COV-202	QPI-3x200-S2P, QPI-3x200-C2P, QPI-2x100-L2P, 10.5" STN, TFT, Mono Touch Screen Protection Sheet (Qty 10)
HMI-COV-203	QPJ-2x200-x2P Front Protective Sheet for 5" STN or Mono (Qty 20)
HMI-COV-204	QPK-3x200-x2P Front Protective Sheet for 6" STN or Mono (Qty 20)
GP675-DF10-O	QPL-2x200-C2P Front Protective Sheet 12.1' TFT (Hard, Qty 5)
PS300-DF00	GP2300, GP2301, GLC2300, QPK-CTDE-0000, QPK-STDN-0000 Touch Screen Protection Sheet (Qty 5)
PS400-DF00	AGP3400, AGP3450, GP2400/01, GLC2400, QPG-CTDE-0000 Touch Screen Protection Sheet (Qty 5)
PSL-DF00	GP2500/01, GLC2500/2600 QPI/QPL-CTDE-0000, QPI/QPL-CTAE-0000 Touch Screen Protection Sheet (Qty 5)
ST400-DF01	ST40x Touch Screen Protection Sheet (Qty 5)

BACKLIGHTS FOR PRO-FACE HMI UNITS

Number	Description
CA5-BLU10T-01	AGP3500T, AGP3550T Replacement backlight TFT Color
CA6-BLU10T-02	10.4" TFT Replacement Backlight, for AGP3510T & AGP3560T
CA3-BLU12-01	AGP3600T, AGP3650T Replacement backlight TFT Color
CA3-BLU15-01	AGP3750T Replacement backlight TFT Color
CA7-BLU15-01	15" TFT Replacement Backlight
GP270-BL00-MS	GP270, QPJ-2xxxx-xxx STN Color or Mono Replacement backlight tube
GP570-BL00-MS	GP570, QPI-2x100-S2P or TFT QPI-2x100-C2P 10.5 STN and TFT Color Replacement backlight tube
GP577RS-BL00-MS	GP577R-S and QPI-3x200-S2P STN Replacement backlight tube
GP577RT-BL00-MS	GP2500T, GP2501T, GLC2500, GP577R TFT QPI-CTxE-0000 and QPI-3x200-C2P Replacement backlight TFT Color
HMI-CCT-203	6" Color or Mono QPK-2x100-x2P Replacement backlight tube
HMI-CCT-303	6" GP377R, QPK-3x200-xxx STN or Mono Replacement backlight tube
PS300-BU00	GP2300/GP2301/GLC2300, QPK-STDN-0000 Replacement backlight Mono or STN Color
PS400-BU00-MS	GP2400/01, GLC2400, QPG-CTDE-0000 Replacement backlight TFT Color
PS501S-BU00	GP2501S, AGP3500S (Requires two) Replacement backlight STN Color
PS500S-BU00	GP2500S, Replacement backlight STN Color
PS600-BU00-MS	GP2600/01, GLC2600, QPL-CTxE-0000 Replacement backlight TFT Color

Backlights cannot be replaced in the field for the following models:
 GP2300T, GP2301T, GLC2300T, GP2500L, GP37W, GP37W2, GP37W3, GLC150, GP377RT, GP47x,
 AGP3300, AGP3400, and AGP3500L. QPK-CTDE-0000, QPI-2x100-L2P, QPM-3D200-B2P, GP570L
 ST40x: LED Backlit; no Backlight offered

STAINLESS STEEL BEZELS (Special Order Call for Availability)

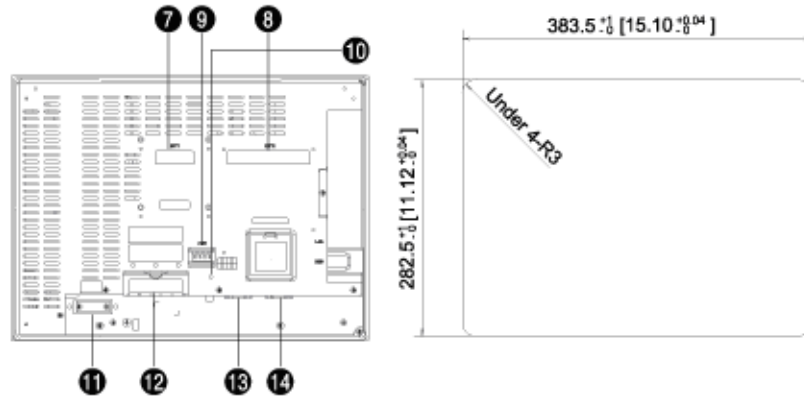
Order Number	Description
HMI-BEZ-201	Stainless Steel NEMA 4X Bezel for GP270 or QPJ 5" units
HMI-BEZ-202	Stainless Steel NEMA 4X Bezel for GP477R, QPI-3x200-E2P 9" EL units
HMI-BEZ-204	Stainless Steel NEMA 4X Bezel for GP377, AGP3300, QPK 6" units
HMI-BEZ-403	Stainless Steel NEMA 4X Bezel for GP2500, GLC2500, AGP3600, QPI-3x200-x2P 10.4" units
HMI-BEZ-406	Stainless Steel NEMA 4X Bezel for GP/GLC2400, AGP3400, QPG 7.4"
HMI-BEZ-407	Stainless Steel NEMA 4X Bezel for AGP3750 15"

Replacement Installation Gaskets

Order Number	Description
GP37W2-WP00-MS	6" Replacement Gasket, for GP37W2/W3
CA3-WPG6-01	6" Replacement Gasket, for AGP3300
CA5-WPG8-01	8" Replacement Gasket, for AGP3400
CA5-WPG10-01	10" Replacement Gasket, for AGP3500T
CA3-WPG12-01	12" Replacement Gasket for 12" AGP3600 units, 10" AGP3500S/L
CA3-WPG15-01	15" Replacement Gasket for 15" AGP3750 units

Pro-face Panel Cutout Dimensions

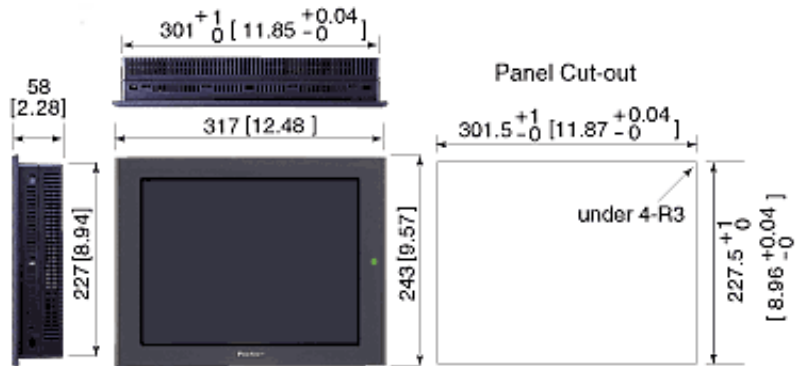
AGP3750 Models
Units: mm [in]



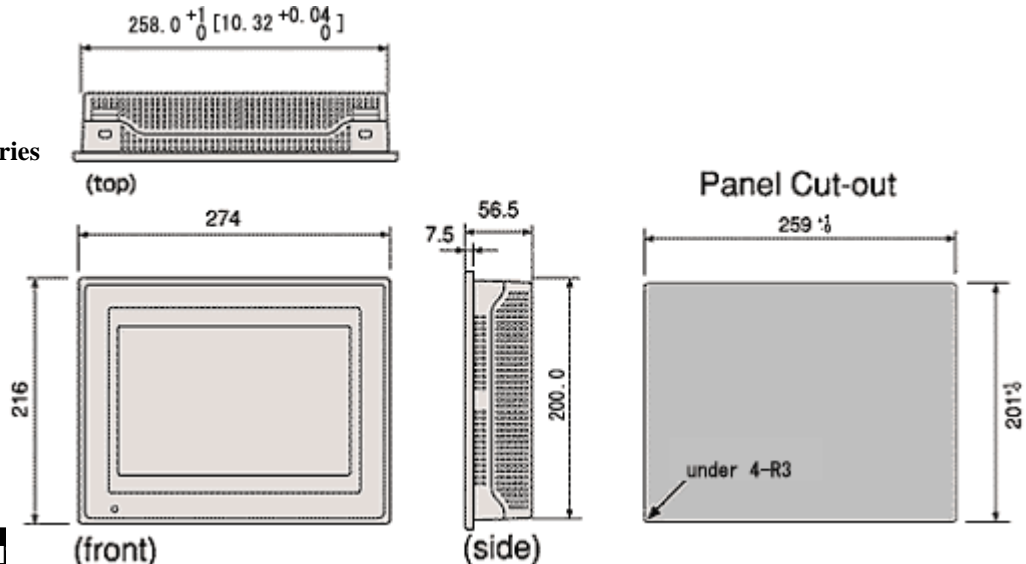
AGP-3750T(AC type) unit.

Unit: mm [in.]

GP2500 Series
GP2600 Series
GLC2600 Series
GLC2500 Series;
AGP3500L
AGP3500S
AGP3600T
QPI-CTxE-0000 Series
QPL-CTxE-0000 Series
Units: mm (inches)



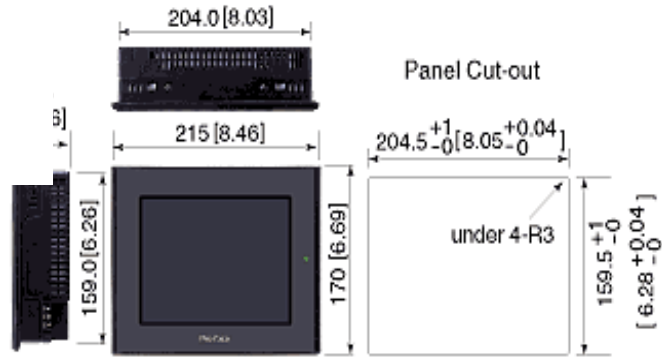
AGP3500T
AGP3550T
GP477R Series
QPI-3x200-E2P Series
Units: mm



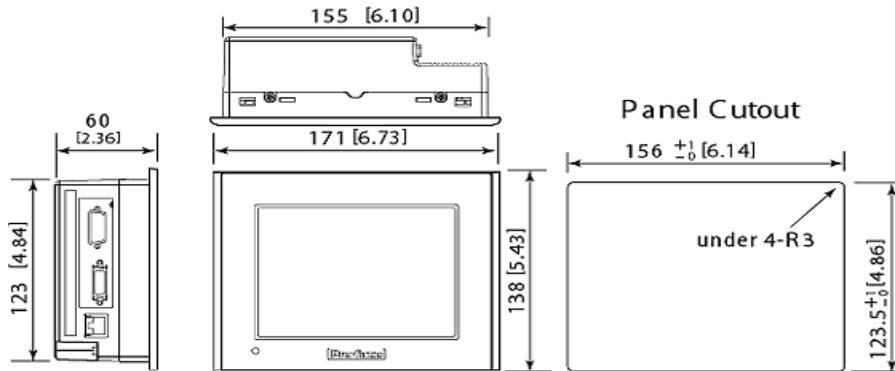
Pro-face Panel Cu

Pro-face Operator Interface and Controller Products 2009 Selection Guide

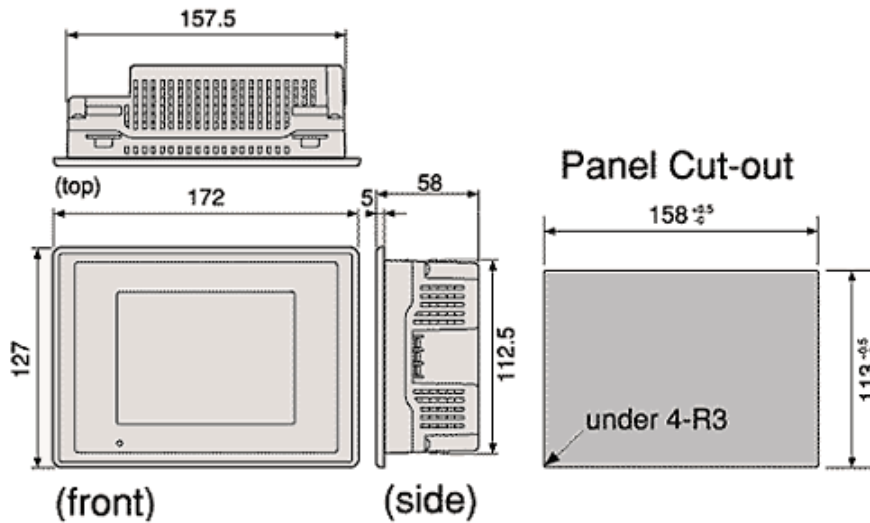
**GP2400 Series
GLC 2400 Series;
AGP3400 Series
QPG Series
Units: mm (inches)**



**GP2300 Series
GLC2300 Series;
AGP3302B,
AGP3300 Series
QPK Series
Units: mm (inches)**

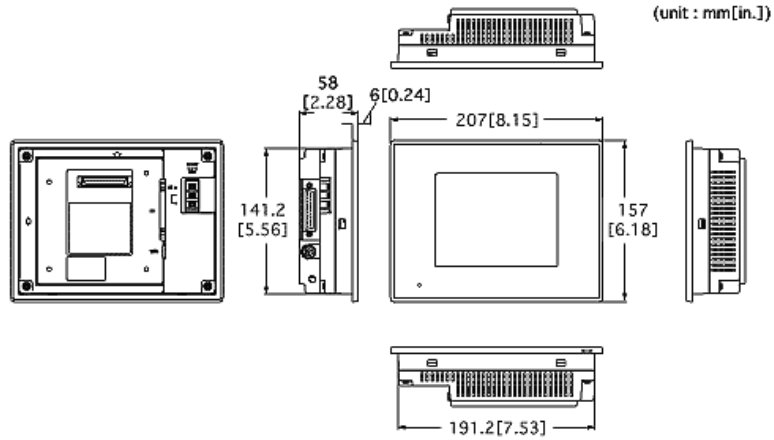


**GP270 Series
QPJ Series
Units: mm**



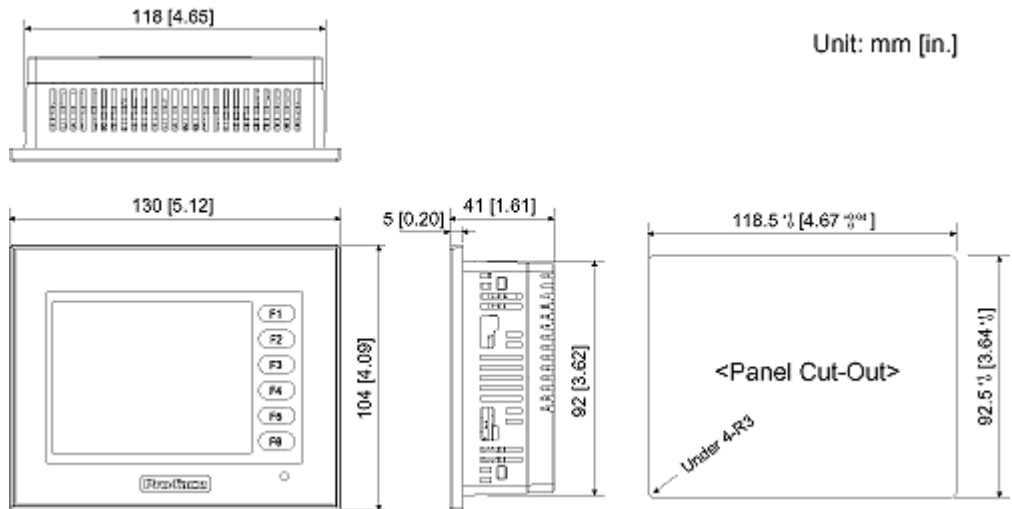
Pro-face Panel Cutout Dimensions

GP37W2
 GP37W3
 GLC150 Series;
 QPM Series
 Unite: mm (inches)



AST, ST40x Series

Unit: mm [in.]



Notes

Specifications subject to change without notice.

Manuals are available for download free of charge from www.profaceamerica.com web site.

Shipments are FOB Saline, Michigan.

Standard Warranty and Extended Warranties

All GP2000, ST40x, AGP3000, AST3000, LT3000 and PanelStation Series HMI units are warranted by Pro-face America to be free from defects in material and workmanship under normal use and service for a period of two years from date of shipment.

GLC2000, LT(GLC150), FlexNetwork I/O, and Pro-face accessory products are warranted for 1 year from date of shipment. Extended warranties are available at time of product purchase based list price. Contact Pro-face America for latest details or visit website when placing orders.

Custom Overlays

Custom overlays are available per request. Please consult your local Pro-face area manager for help in quoting these applications.

Delivery

Need Units ASAP? Same day shipment possible; contact Pro-face America when placing order. Stock Shipments: 24 hour shipments after receipt of order.

HMI Products Return Policy

Returns made within thirty (30) days of Pro-face America's shipment date will be accepted back, less shipping charges incurred by Pro-face. Product must be in the original shipping package and unopened or additional charges will apply.

Returns made after thirty (30) days of Pro-face America's shipment date will be subject to 25% restocking and handling fee. Product must be in the original shipping package.

No request for returns will be considered after sixty (60) days have elapsed from Pro-face America's shipment date.

All returns subject to the General Return Policy guidelines written below.

General Return Policy

All requests for returns must be made in writing and such actions must be approved in writing by an authorized individual of Pro-face America's corporate office. Returns made without authorization will be returned at the buyer's expense.

Pro-face America will not issue credit for software packages, spare parts, custom products and products built under Pro-face America's "product modification process."

All requests for returns are subject to Pro-face America's sole discretion. Pro-face has the right to accept or reject any customer request to return a product for credit.

Credit will only be issued against product returned with an RMA number only after inspection, testing and confirmation by Pro-face America that all product is in its original and unaltered condition.

Product must be returned unaltered in its new/original condition and in its original packaging with all associated components of the original shipment, including documentation kits, manuals, cables, brackets and all other miscellaneous and loose items. Missing or damaged components will void the RMA and no credit will be issued.

pl-proface-0907Aguide

Pro-face America
750 North Maple Rd.
Saline, MI 48176-1292
Phone: 734-944-0482
Fax: 734-429-1010
www.profaceamerica.com

Customer Support Hotline:
734-944-0482

Pro-face
Your HMI and Industrial PC Authority

© 2009 Pro-face America. Specifications may change without notice.

Pro-face is a registered trademark of Digital Corporation. Other brand or product names are the property of their respective owners.