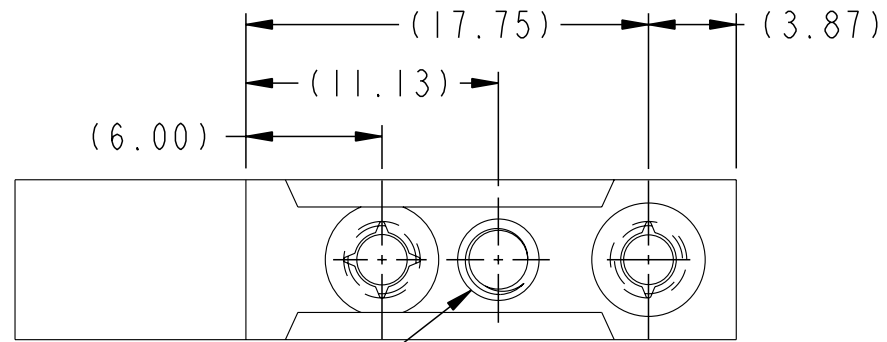
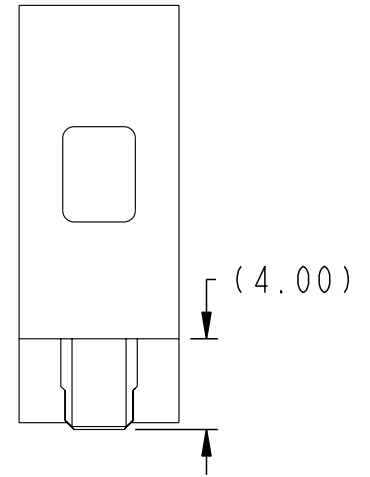
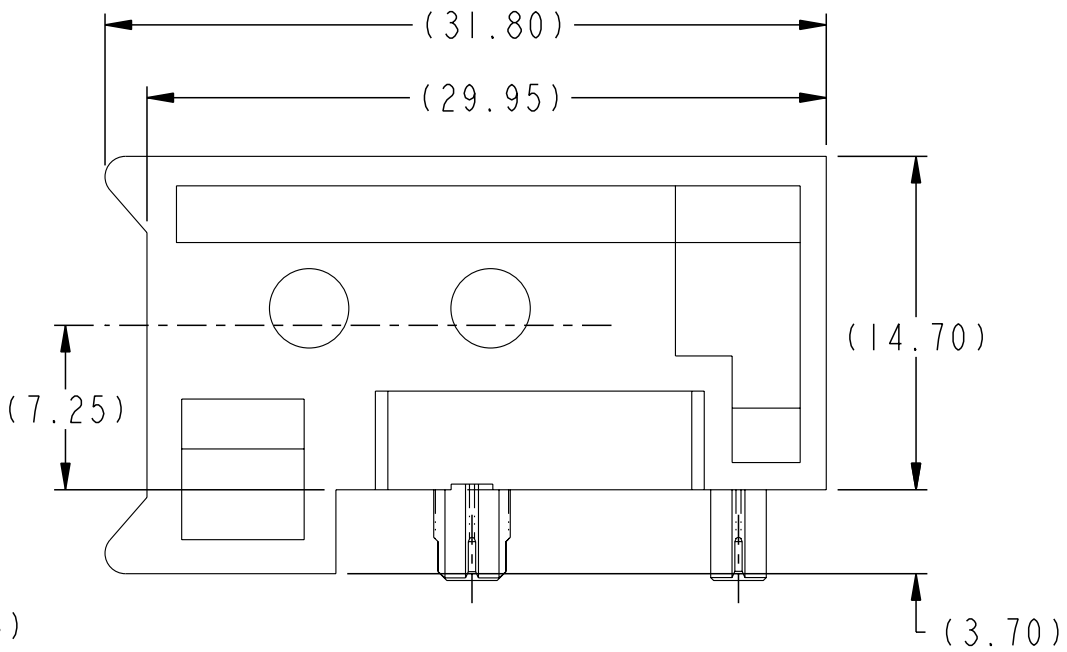
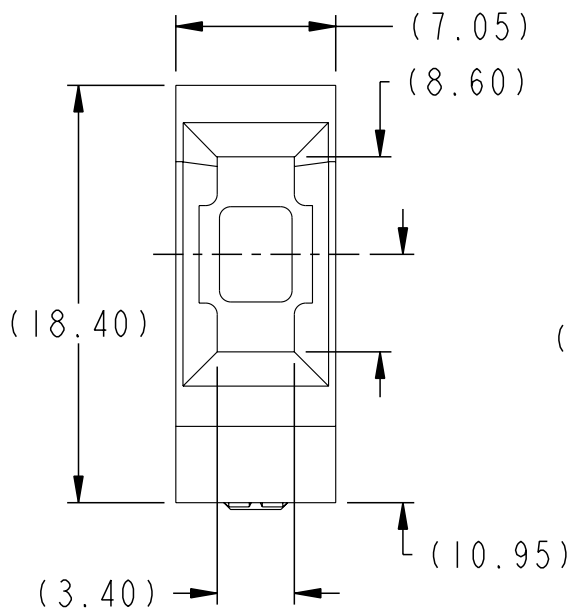


Tous droits strictement réservés. Reproduction ou communication à des tiers interdite sous quelque forme que ce soit sans autorisation écrite du propriétaire. Propriété de FCI. Droits de reproduction FCI.



All rights strictly reserved. Reproduction or issue to third parties in any form whatever is not permitted without written authority from the proprietor. Property of FCI. Copyright FCI.

PRODUCT NUMBER
SEE TABLE, SHT 2



M3 X 0.5-6H
X 3.0 DEEP

TOLERANCES UNLESS OTHERWISE SPECIFIED		rev	ecn no	dr	date
LINEAR	0.X ±.3	A	V05-0103	AR	01/27/05
	0.XX ±.10	B	V05-0262	AR	03/29/05
	0.XXX ±.050	C	S05-0238	MC	08/25/05
ANGULAR	0° ±2°	-	-	-	-

www.fciconnect.com		surface 3.2 / ASME Y14.5	tolerance ASME Y14.5	projection 	MM 			
Dr	A. RAISTRICK	08/03/04	Product	AmiMax Accessories	size	A4	Scale	3:1
Eng	B. MARSHALL	08/03/04	Spec ref		ECN		NEW	
Chr	CH TAN	08/25/05	Material	SEE NOTES				
Appr	JOEY NG	08/25/05						
title 7.2mm GUIDE MODULE, RIGHT ANGLE					dwg no 10037909	Rev. C		
catalog no					CUSTOMER	sheet 1 of 2		

1

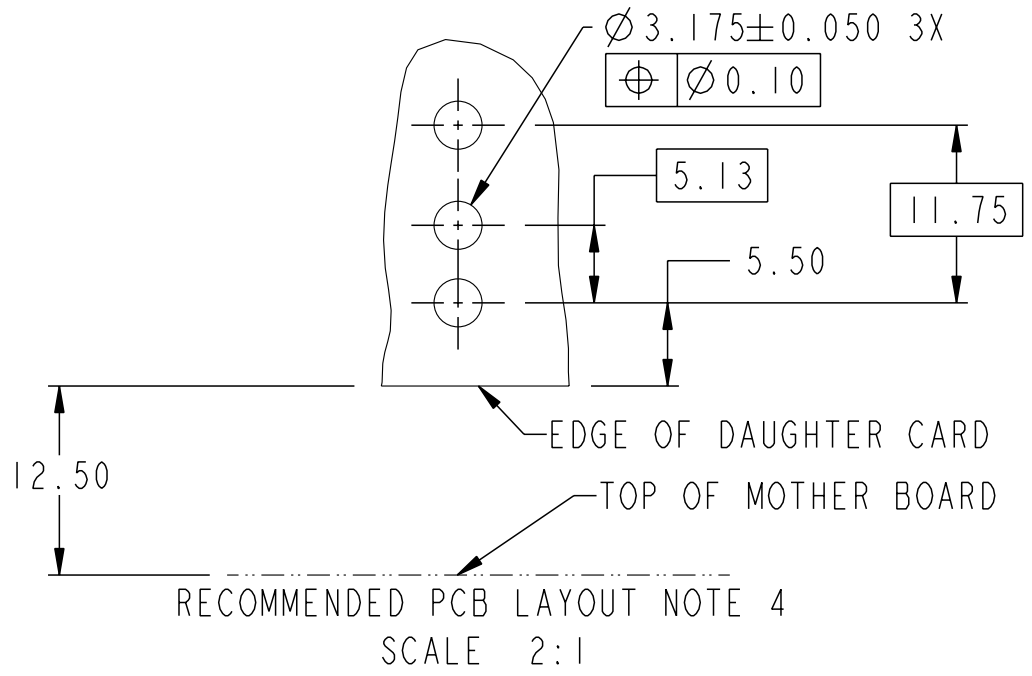
2

3

4

PRODUCT NUMBER
10037909-101LF

Tous droits strictement reserves. Reproduction ou communication a des tiers interdite sous quelque forme que ce soit sans autorisation écrite du propriétaire. Propriete de FCI. Droits de reproduction FCI.



All rights strictly reserved. Reproduction or issue to third parties in any form whatever is not permitted without written authority from the proprietor. Property of FCI. Copyright FCI.

1. MATERIAL: ZINC ALLOY
2. FINISH: ZINC YELLOW CHROMATE
3. APPLICATION SPECIFICATION: GS-20-045
- ④ REFER TO CUSTOMER DRAWING 10035911 FOR INFORMATION REGARDING PBC LAYOUT OF POWER AND GUIDE MODULES RELATIVE TO SIGNAL MODULES
5. THIS PRODUCT MEETS EUROPEAN UNION DIRECTIVES AND OTHER COUNTRY REGULATIONS AS DESCRIBED IN GS-22-008.
6. PACKAGING MEETS GS-14-920 LEAD FREE LABELING SPECIFICATION.

title	7.2mm GUIDE MODULE, RIGHT ANGLE	dwg no	10037909	Rev.	C
catalog no	-	CUSTOMER	sheet 2 of 2		

A
B
C
D