

# MSC38A Series Eight Channel Master Speed Control

A reliable, economical master speed control unit for operating multiple variable speed drives from a single 5K master potentiometer or field selectable DC voltage range of 0-5 through 0-25 VDC OR 0-25 through 0-200 VDC input (grounded or ungrounded).

Drives may be controlled to maintain identical speeds or individually pre-set proportional speeds with respect to the MSC speed setting.

## STANDARD FEATURES

- 120 VAC ±10%, 50/60 Hz. line source
- Eight (3-wire) output channels - each optically isolated
- MSC38A may be cascaded to operate more than 8 drives
- Master command input circuit electrically isolated from AC
- Rapid response time
- European style terminal block connectors
- Supply voltage of driven unit is 5-25 VDC maximum
- 5K ohm speedpot with leads, dial, and knob for remote mounting included
- Interfaces with Dart 125, 250, or 500 series controls or most other manufacturer's drives
- Outputs are controlled via a 5K ohm master speedpot or a field selectable DC voltage signal (0-5 through 0-25 VDC OR 0-25 through 0-200 VDC)
- Each output is capable of driving input impedances as low as 500 ohm

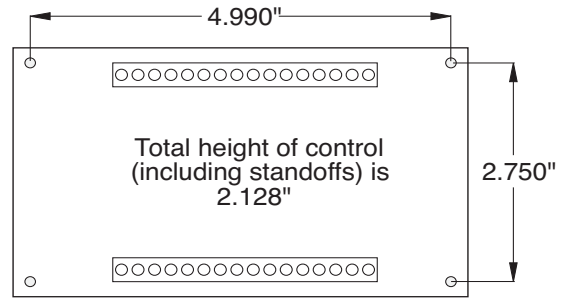
## DIMENSIONAL SPECIFICATIONS

| WIDTH                       | HEIGHT | LENGTH | WEIGHT   |
|-----------------------------|--------|--------|----------|
| <i>English (inches)</i>     |        |        |          |
| 3.13                        | 2.13   | 5.40   | 7.4 oz   |
| <i>Metric (centimeters)</i> |        |        |          |
| 7.95                        | 5.41   | 13.73  | 208.3 gm |

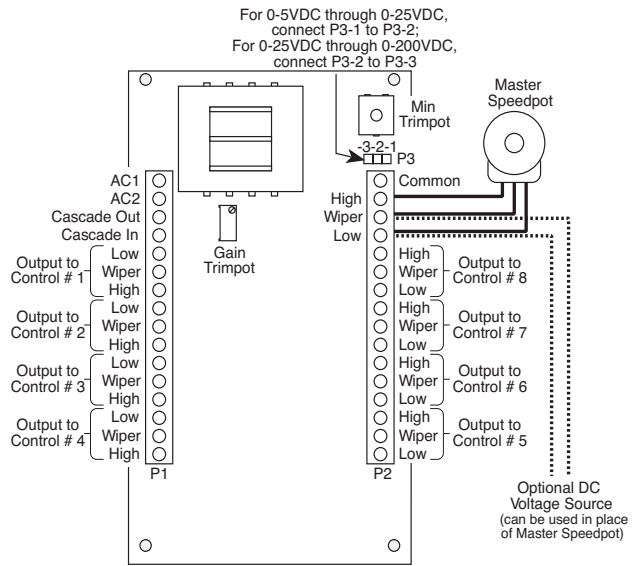
## OPERATING CONDITIONS

Temperature.....-10° to +45° C. (15° to 113° F.)  
 AC Input Voltage..... ±10% Rated Line Voltage  
 Input Frequency.....50/60 Hertz  
 Output Voltage..... 0-5 through 0-25 VDC each channel  
 Output Current..... 10 mA per channel

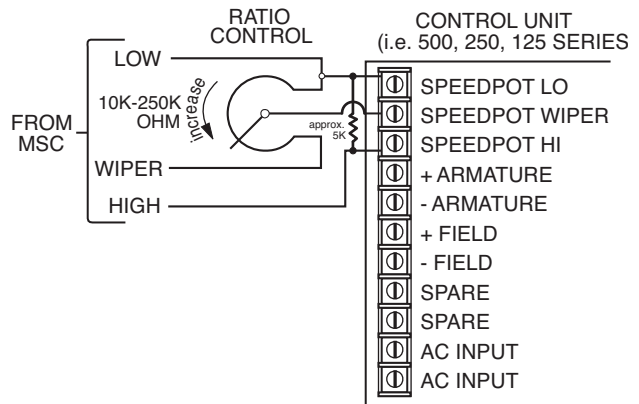
## MSC38A MOUNTING DIMENSIONS



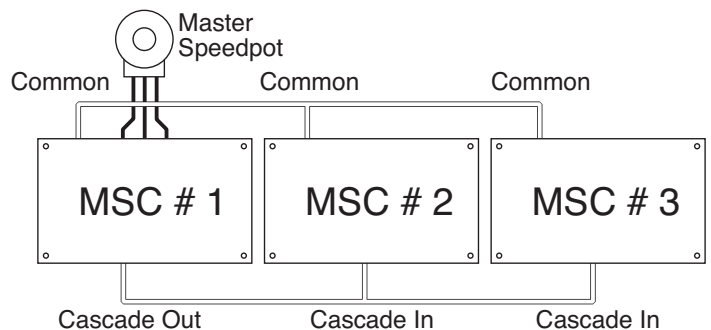
## MSC38A HOOK-UP FOR DIRECT OPERATION



## INPUT HOOK-UP FOR RATIO OPERATION



## CASCADE HOOK-UP FOR BASIC CONTROLS



For more than 8 outputs using a single Master speedpot, controls can be cascaded together via the cascade and common terminals shown above.