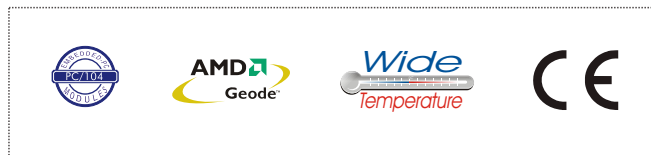
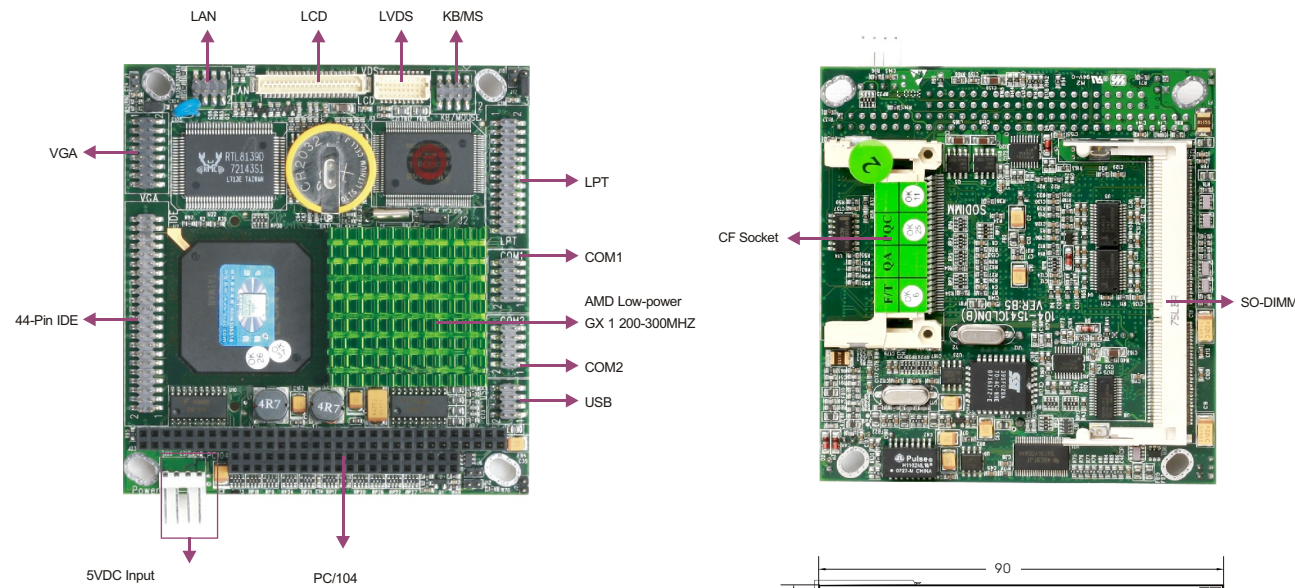


# 104-1541CLDN (B)

PC/104 SBC with GX CPU/Memory/LCD/VGA/SSD/LAN



## Features

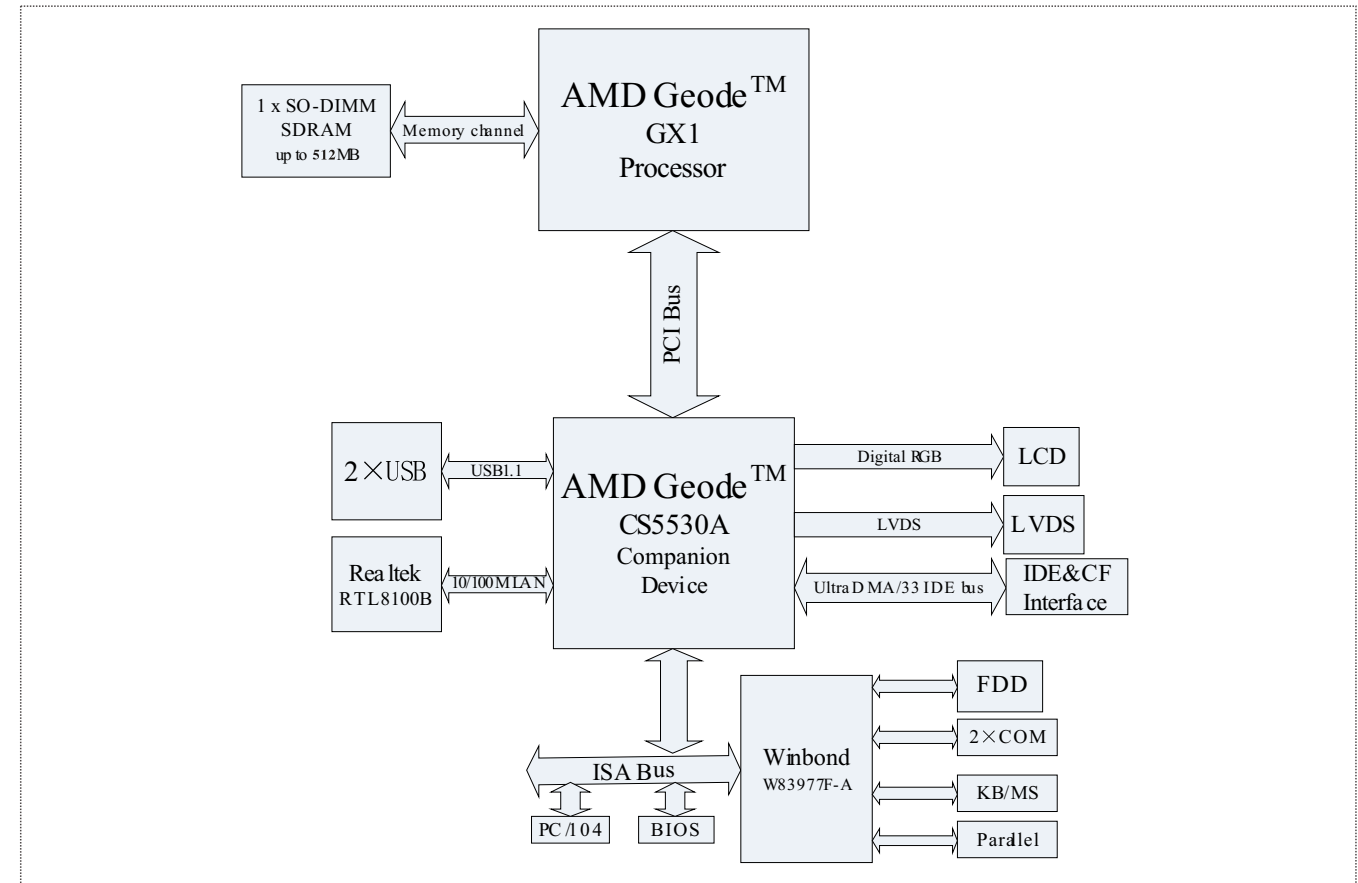
- Onboard NS GX1 low power processor
- Supports 144-pin SO-DIMM socket, memory up to 512MB SDRAM
- Supports 10/100Mbps Ethernet interface
- Supports 2 x USB1.1, 2 x COM, 1 x LPT, 1 x IDE, 1 x CF
- Supports LCD/CRT display controller and 18-bit TFT

## Specifications

System	
Processor	Onboard AMD Geode™ GX1 200-300MHz CPU, fanless design
Chipset	NS CS5530A
Memory	144-pin SO-DIMM socket, up to 512MB SDRAM
Watchdog Timer	1~255 sec./min. timer system reset or interrupt, setup by software
Expansion Interface	PC/104 Bus
Storage	
IDE	1 x Ultra ATA33 interface
Serial ATA	N/A
CF	1 x CompactFlash Socket Type I/II
DOC/DOM	N/A
I/O Interface	
USB	2 x USB1.1 port, available interface of 9-Pin header onboard
Serial Port	2 x RS-232, available interface of 9-Pin header onboard
Parallel Port	1 x LPT
IrDA	N/A
Audio	N/A

Display	
Chipset	NS chipset integrates graphics acceleration controller
Memory	4MB shared system memory
Resolution	VGA mode up to 1280 x 1024@85Hz LCD mode up to 1280 x 1024@85Hz LVDS mode up to 1024x768@18bpp
Dual Display	Supports CRT+ LCD, CRT +LVDS independent dual display
Ethernet	
Chipset	Realtek RTL8100B
Speed	10/100Mbps
Connector	1 x LAN port, available interface of 9-Pin header onboard
Mechanical and Environmental	
Dimensions	96mm x 90mm
Operating Temperature	-40°C ~ 85°C
Storage Temperature	N/A
Operating Humidity	5%-90%, non-condensing
Power	
Power Supply	Single +5V. Supports AT power supply
Power Consumption	Typical 4.85W (GX1300Mhz, 128MB memory)
Operating System	
Windows OS	Windows NT 4.0/Windows 98SE
Embedded OS	Linux/VxWorks

## Board Diagram



## Available Accessories

Part Number	Name	Description	Qty.
2330-000011	Jumper/RoHS	2.0mm pitch	5
2331-002251	Pin header/RoHS	2x20-pin, 2.54mm pitch, two sides of equal length: 6+6mm	1
2331-002261	Pin header/RoHS	2x32-pin, 2.54mm pitch, two sides of equal length: 6+6mm	1
2331-002421	Socket/RoHS	PC104 2x32-pin long socket, plastics height: 8.5mm, pin height: 5.65mm	1
2331-002561	Socket/RoHS	PC104 2x20-pin long socket, plastics height: 8.5mm, pin height: 5.65mm	1
2360-000341	Dual USB ports with bracket/RoHS	Two USB ports to one 8-pin, connector (2.0mm pitch), length: 210mm/RoHS	1
2360-000351	Y-cable for keyboard and mouse/RoHS	PS/2 port connector to 8-pin connector (2.0mm pitch), length: 245mm/RoHS	1
2360-000441	LAN cable/RoHS	RJ-45 connector to 8-pin connector (2.0mm pitch), length: 190mm/RoHS	1
2360-000671	VGA cable/RoHS	VGA connector to 16-pin connector (2.0mm pitch), length: 300mm/RoHS	1
2360-008781	HDD cable/RoHS	40-pin to 44-pin (2.0mm pitch), length: 550mm/RoHS	1
2360-011221	Parallel port cable/RoHS	DB25 connector to 26-pin connector (2.0mm pitch), length: 300mm/RoHS	1
2360-011231	Serial port cable/RoHS	DB9 connector to 10-pin connector (2.0mm pitch), length: 300mm/RoHS	2
2391-002141	Nut/RoHS	M3/GB-T6170-1986/nickel plating	4
2391-004631	Copper hex bolts/RoHS	M3x25-4/CH-M3-25-4-Ni	4
—	Driver CD/Protective film/RoHS	104-1541CLDN(B)	1
—	User's Manual/RoHS	104-1541CLDN(B)	1

## Related Product

Item	Typical Recommendation
PC/104 Expansion card	104-1541CLDN(B)+104-32ADT

## Ordering Information

Part Number	Model Number	Description
0030-000541	104-1541CLDN(B)	Motherboard/RoHS
0030-000540	104-1541CLDN(B)	Motherboard
0030-000570	104-1541CLDN(B) Long pin	Motherboard/long pin
0030-010521	104-1541CLDN(B)/TA/Conformal coating	Motherboard/RoHS/TA/Conformal coating