

d<sup>1</sup>

design.

d<sup>2</sup>

develop.

d<sup>3</sup>

deploy.

## Embedded Planet EP405EZC



Representative Photo

### Features:

- **Processor:** AMCC PowerPC 405EZ at 400MHz
- **RAM:** 64MB of Cellular RAM (CRAM)
- **FLASH:** 32MB of NAND Flash and 256MB of NOR flash
- **Ethernet:** Single 10/100
- **USB:** 2 USB 1.1 Host ports, 1 USB 1.1 Device port
- **Can:** 2 CAN ports
- **IO:** PWM header interface, ADC and DAC header interfaces
- **Serial Ports:** RS-232 serial ports
- **Expansion:** Dual EBC expansion bus headers for custom add-on boards, I2C/SPI header
- **I2C Devices:** EEPROM and Temperature monitor
- **Power:** Single 5V supply via barrel connector and wall cube
- **Form Factor:** 5" x 7"
- **Debug:** JTAG header and Mictor Connector Trace Port
- **Software:** U-Boot and Linux, VxWorks, and INTEGRITY BSPs

design.

The next generation of connected devices.

develop.

Your products based on our platform.

deploy.

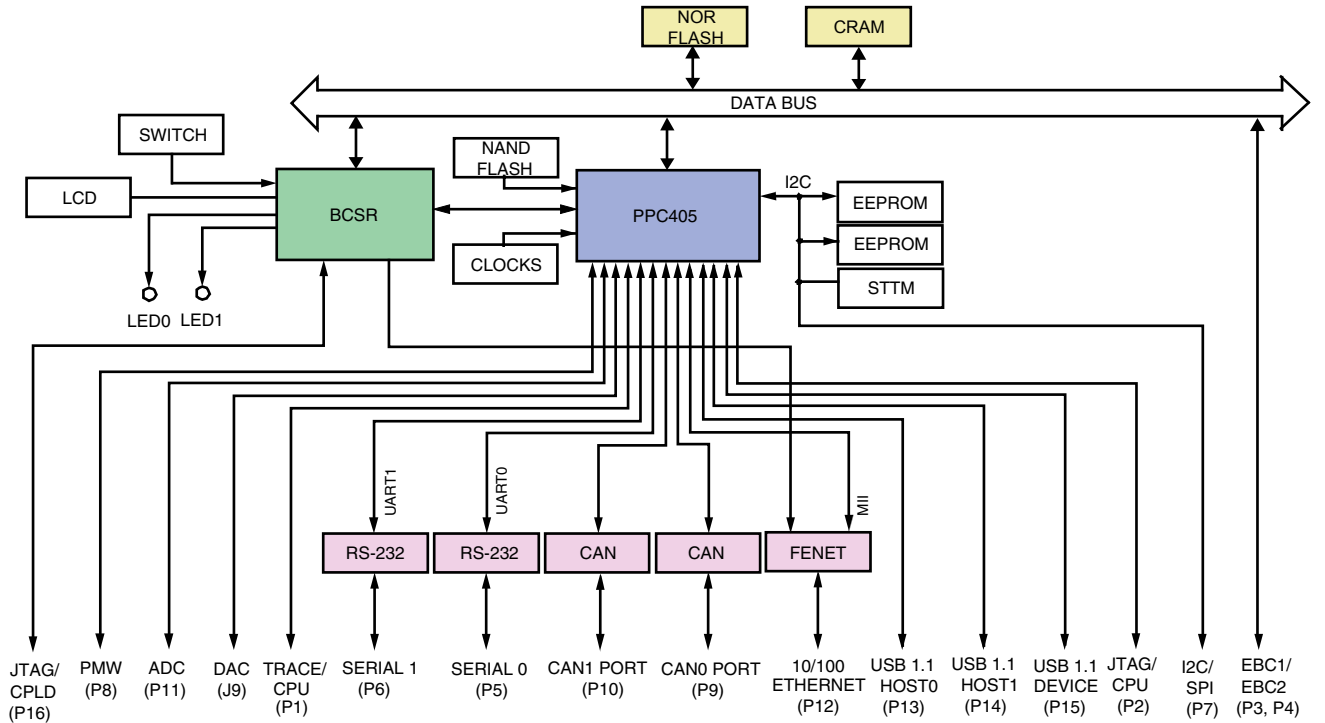
Your solution faster.

### Flexible Single Board Computer

The EP405EZC single board computer is a flexible and capable development system for the AMCC PowerPC 405EZ processor. The EP405EZC board enables rapid prototyping and development of vertical solutions by combining the power of the AMCC PowerPC 405EZ processor with numerous expansion and I/O options. It includes CAN, serial, USB, AD/DA, PWM, and Ethernet interfaces for rapid prototyping of systems using standard peripheral components. In addition a full suite of software including a bootloader, flash programmer, and several operating systems ensures that building a system will be greatly simplified.

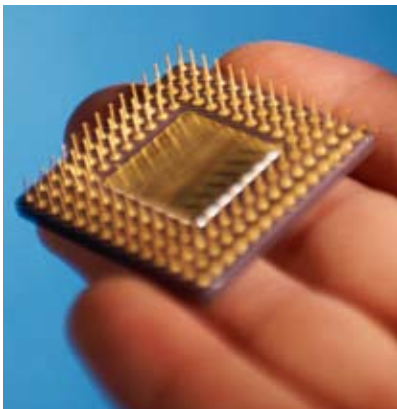
The AMCC 405EZ processor is a highly integrated, powerful, and low power PowerPC based SoC. The 405EZ runs at speeds up to 400MHz and includes integrated NAND FLASH, A/D and D/A converters, Pulse Width Modulator (PWM), Ethernet, USB, UART, I2C, SPI, and CAN interfaces. The combination of high performance, integrated peripherals, and low power consumption make the AMCC 405EZ ideal for embedded industrial, medical, and networking applications.

## Block Diagram



T00284A

## Let Us Do The Heavy Lifting



- Embedded Planet offers a complete set of software and hardware training and customization services to go along with our Off-the-Shelf solutions.
- Our training classes in Linux, VxWorks, and Eclipse can help your engineering team shrink their time-to-productivity and help ensure higher quality products.
- Our custom diagnostics tools, Eclipse applications, U-Boot porting, Linux, Green Hills INTEGRITY, and VxWorks BSPs and applications can extend your engineering team and shrink your time to market.
- Contact Embedded Planet to find out how our Professional Services Division can accelerate your project.

This material is the copyright of Embedded Planet 1997-2006. Embedded Planet is a registered Trademark. Other company and product names may be trademarks of their respective owners. Product specifications subject to change without notice.

Contact Embedded Planet sales:  
[www.embeddedplanet.com](http://www.embeddedplanet.com) or  
 email [info@embeddedplanet.com](mailto:info@embeddedplanet.com)  
 phone (216) 245-4180