

ACCESSORIES

Accessories	Page
Mounting Rails	58-60
End Brackets	61
End Plates	62
Cross-Connection-Systems	63-65
Test Plugs/Test Sockets	66
Covers	67
Modular Test Plugs	68
Marking Material	69-73
Assortment boxes	74
Ferrules	75-78
Ring Lugs	79-80
Cable Markers	81-83
Cable Cutter/Stripping Pliers	84-85
Crimping Tools	86-91

Mounting Rails

The mounting rails are designed in conformity with the latest level of European standards DIN EN 50045, 50022 and 50035.

The mounting rails are galvanized with a minimum thickness of 10 µm and yellow chromated. We have paid particular attention to high dimensional accuracy.

According to DIN VDE 0611 part 3, mounting rails made of steel are permissible as ground busbars.

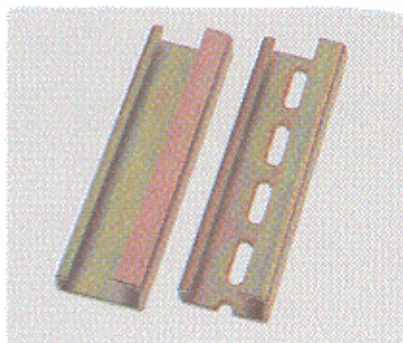
If terminals for PEN function are required, the following facts must be observed:

- only one rail made of E-Cu is permitted to be employed
- the short circuit currents and the thermal rated currents have to be considered.

The mounting rails are delivered in a length of 2 meters, however they are also available cut to length.

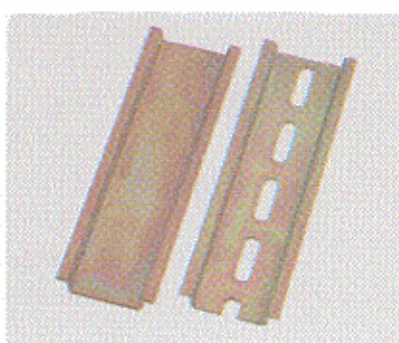
Type	Material	Cat.-No.	Short-circuit resistance E-Cu conductor (mm ²)	Max. short circuit current (kA)	Max. perm. rated current with PEN function (A)
TS 32	Steel	2025.0	35	4.2	*
TS 32 slotted	Steel	2093.0	35	4.2	*
TS 32	Copper	2371.0	120	14.4	292
TS 35 x 7.5	Steel	2026.0	16	1.92	*
TS 35 x 7.5 slotted	Steel	2094.0	16	1.92	*
TS 35 x 15	Steel	2027.0	25	3	*
TS 35 x 15 slotted	Steel	2095.0	25	3	*
TS 35 x 15/2.3	Steel	2038.0	50	6	*
TS 35 x 15/2.3 slotted	Steel	2039.0	50	6	*
TS 15	Steel	2091.0	10	1.2	*
TS 15 slotted	Steel	2092.0	10	1.2	*

* Steel protective earth busbars are not permitted for PEN functions.



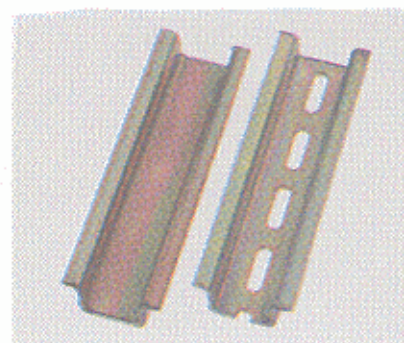
TS 32 DIN EN 50035

Type	Cat.-No.
TS 32 Steel unslotted	2025.0
TS 32 Steel slotted	2093.0
TS 32 Copper unslotted	2371.0



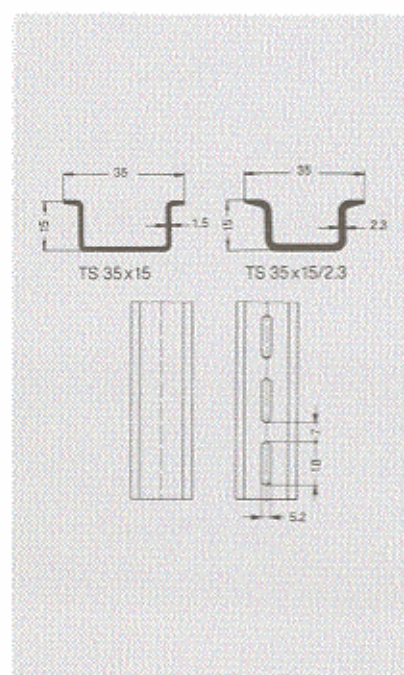
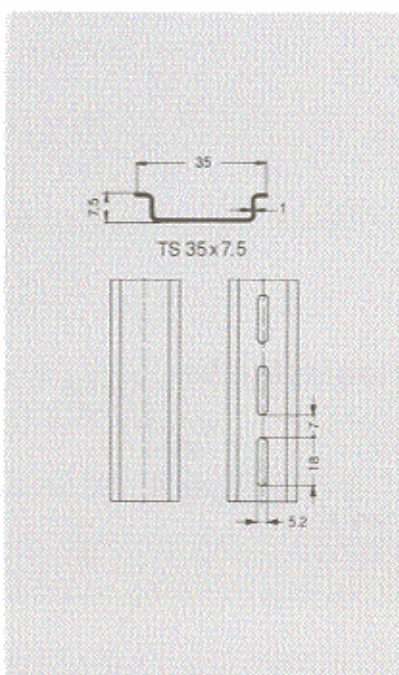
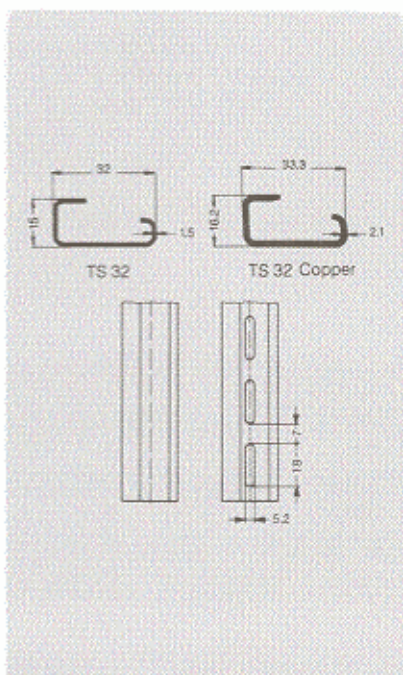
TS 35 DIN EN 50022

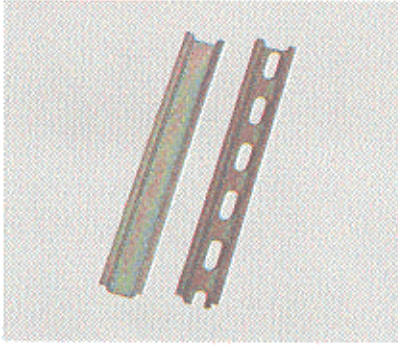
Type	Cat.-No.
TS 35x7.5 Steel unslotted	2026.0
TS 35x7.5 Steel slotted	2094.0



TS 35 DIN EN 50022

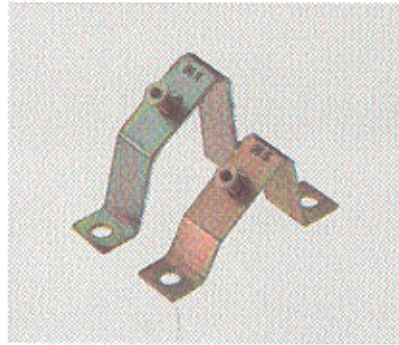
Type	Cat.-No.
TS 35 x 15 Steel unslotted	2027.0
TS 35 x 15 Steel slotted	2095.0
TS 35 x 15/2.3 Steel unslotted	2038.0
TS 35 x 15/2.3 Steel slotted	2039.0





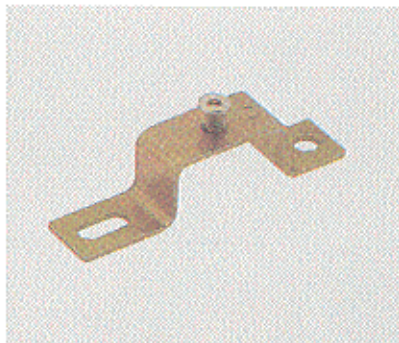
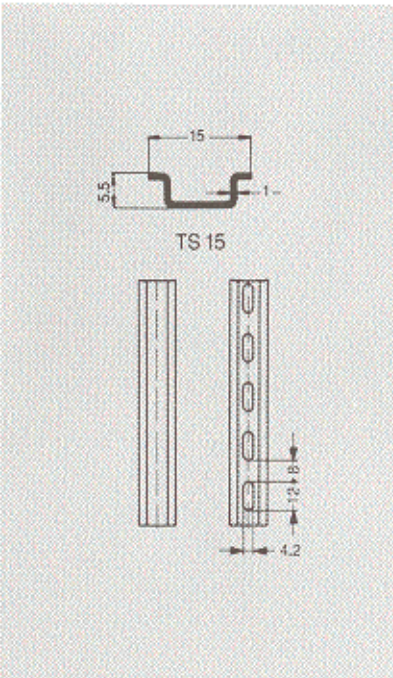
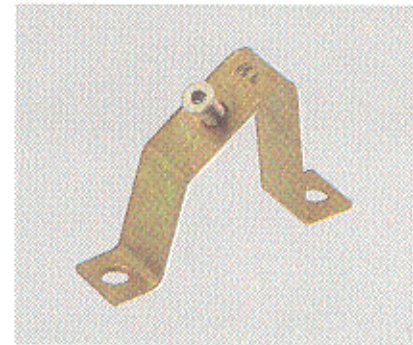
TS 15 DIN EN 50022

Type	Cat.-No.
TS 15 Steel unslotted	2091.0
TS 15 Steel slotted	2092.0
TS 15	2711.0
TS 15	2378.0



Support Bracket

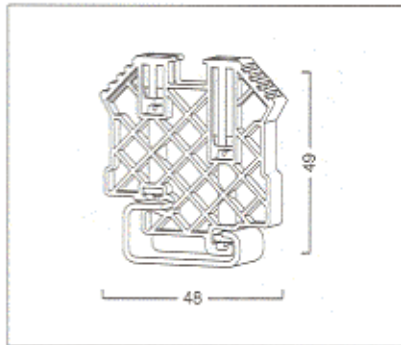
Type	Height	Cat.-No.	Qty.p.pck.
TSTW M6	48 mm	2303.0	10
TSTW M5	48 mm	2414.0	10
TSTW M6	32 mm	2563.0	10
TSTW M5	32mm	2564.0	10



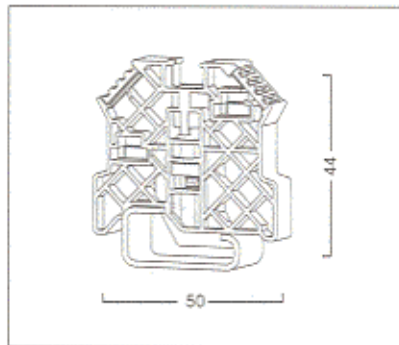
Support Bracket

Type	Height	Cat.-No.	Qty.p.pck.
TST M6	20 mm	2737.0	10
TST M5	20 mm	2736.0	10
BS M6 x 12		2304.0	50
BS M5 x 8		2415.0	50

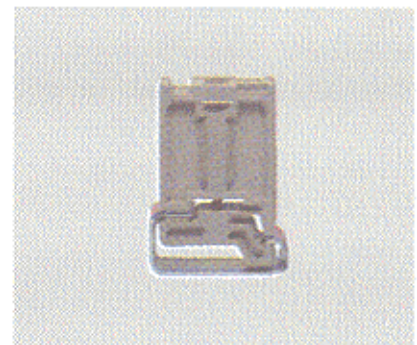
End brackets



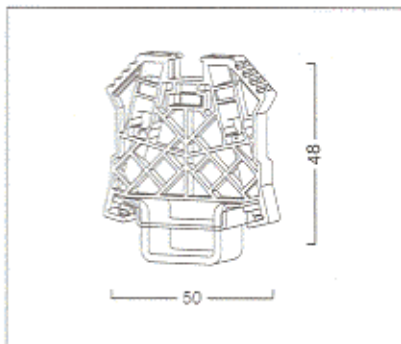
Type	Cat.-No.	Width	Qty.p.pck.
ES 32/2/K	2825.2	8 mm	50



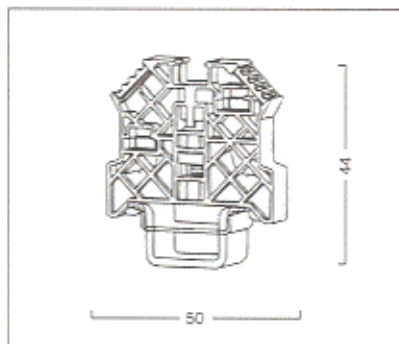
Type	Cat.-No.	Width	Qty.p.pck.
ES 32/K/ST	2827.0	9.5 mm	50



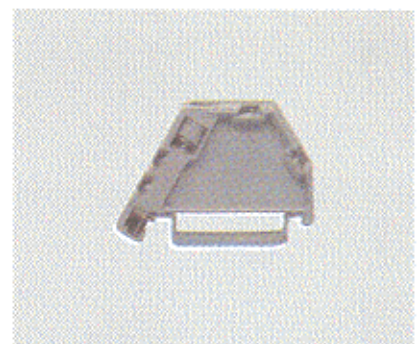
Type	Cat.-No.	Width	Qty.p.pck.
ES 32	2004.2	7.5 mm	50



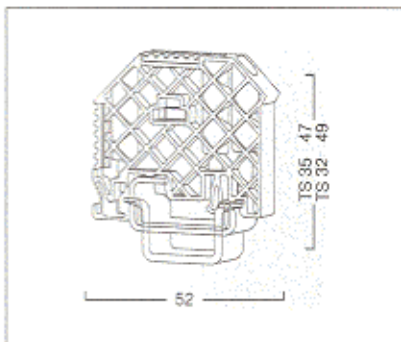
Type	Cat.-No.	Width	Qty.p.pck.
ES 35/2/K	2826.2	8 mm	50



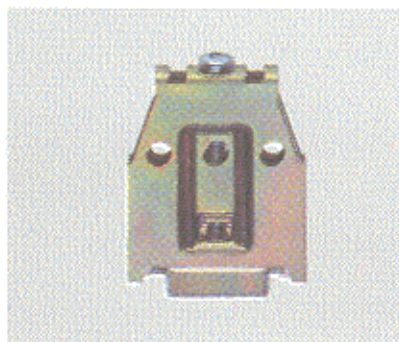
Type	Cat.-No.	Width	Qty.p.pck.
ES 35/K/ST	2828.0	9.5 mm	50



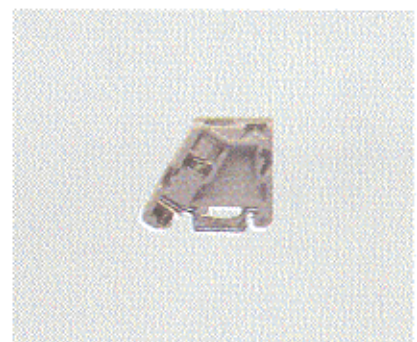
Type	Cat.-No.	Width	Qty.p.pck.
ES 35	2005.2	7.5 mm	50



Type	Cat.-No.	Width	Qty.p.pck.
ES 32/35 Combi	1424.2	9.5 mm	50



Type	Cat.-No.	Width	Qty.p.pck.
HES 35 ST	2761.0	11 mm	50
HES 32 ST	2760.0	11 mm	50



Type	Cat.-No.	Width	Qty.p.pck.
ES 15	2074.2	7.5 mm	50



End Plates/AP

In general end plates are used at the end of each terminal row. If different terminals of different sizes are used on 1 terminal row, end plates are also used between these different sized terminals. The overall dimension of end plates conform to the dimension of the terminal to match.

Type	Cat.-No.	used with clamp
AP-SR	2070.2	SRU 2.5
AP 1.5-4	2738.2	SRU 4 SR4-T15 SRM 4
AP 2.5-10	2001.2	SR 4 SR 10 SR 2.5
AP 4	2101.2	SRD 2.5 SRD 4 SRD 4V
AP 4 800 V	2159.2	SRD 4-800 SRD 4-V-800
AP 16	2104.2	SR 16
AP 35	2116.2	SR 35
3250	2046.2	SRT 4-H SRT 4-T15-H SRSI 4-H SRSI 4-T15-H
1850	2047.6	SRSI 10-T32-K SRSI 10-T32-K
AP 2.5/15	2427.2 2427.5	SR 2.5-T15
AP 2.5 ID	2699.2	SRID 2.5
AP 2.5 I	2698.2	SRI 2.5
AP 2.5 R	2574.2	SR 4 DR
AP 2.5 RL	2575.2	SR 4 DLR
AP 10	2762.2	SRSI 10-E
AP L/Q/D	2782.2	SRP L/Q/D 10
AP 2.5-SPE/NT/L/N	2829.2	SRDIS 2.5-PE-L-NT
AP 2.5-IPE/NT/L/N	2831.2	SRDI 2.5-...

Isolation Partitions/TW

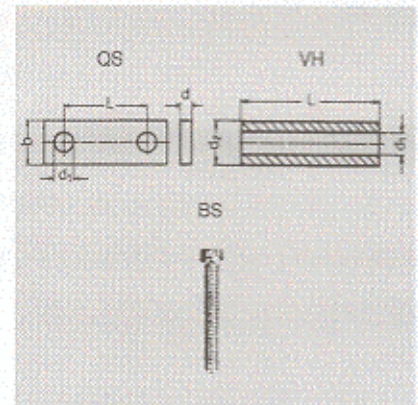
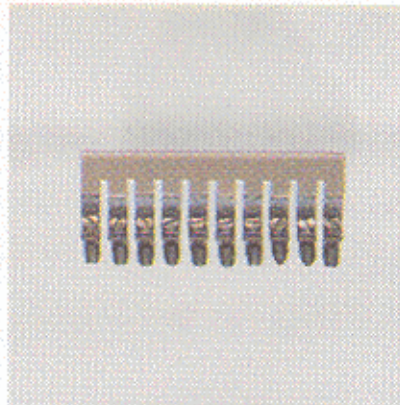
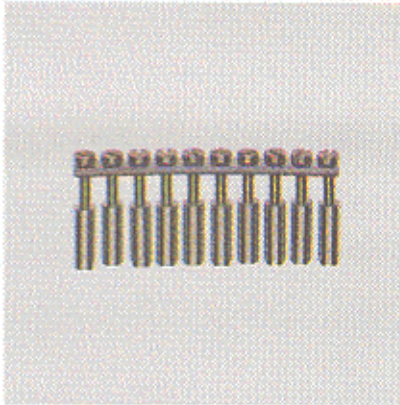
When operating with cross-connections partition plates have to be mounted between the cross-connection. This is necessary in order to follow the prescribed air and creepage distances.

Type	Cat.-No.	used with clamp
TW 1.5-4	2071.2	SRU 4 SR4-T15 SRM 4
TW 2.5-10	2002.2	SR 2.5 SR 4 SR 10 SRSL 4-T32 SRSL 4-T35 SRSL 10-T32 SRSL 10-T35
TW 16	2105.2	SR 16
TW 16	2105.5	
TW 35	2117.2	SR 35
TW 35	2117.5	
TW 2.5	2426.2	SRU 2.5
TW 2.5	2426.5	
TW 2.5/15	2428.2	SRU 2.5-T15
TW 2.5/15	2428.5	

Separators/TRS

Some terminal types are used with separators when operating them with cross-connections to follow the prescribed air and creepage distances. Separators can be mounted subsequently between the cross-connections.

Type	Cat.-No.	used with clamp
TRS 1	2003.2	SR 4 SR10 SR 16 SRP 10...
TRS 3	2566.2	SR 4-T15 SR 2.5 SRU 4 SRD 2.5 SRD 4 SRDIS 2.5-... SRDI 2.5-...



Cross-Connection-Systems

Q Cross-connection

QI For cross-connections the cross-connection bar, connection sleeve and fixing screw are already captively mounted with the corresponding number of poles. The cross-connection then only requires inserting into the individual terminal row.

These cross-connection units are supplied in 2, 3, 4 and 10 pole versions.

Depending on the type of terminal, we supply insulated cross-connections QI or uninsulated cross-connections Q.

QS Cross-connection bar

In order to cross-connect several modular terminals of the same potential, a cross-connection bar is used. The cross-connection bar is made of copper or brass material. The surface is electro plated SN PB. These cross-connection bars supplied in 2, 3, 4 and 10 pole lengths are matched to the individual terminal width.

The cross-connection bar is electrically joined through a connection sleeve to the modular terminal busbar.

For some types of terminal blocks we offer cross-connection bars of 0.5 m length, enabling cross connections of any required number of poles to be put together.

VH Connection sleeves

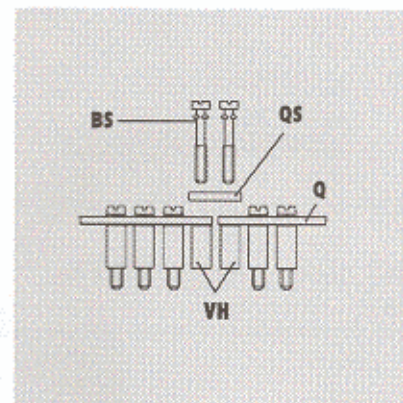
The lengths of the connection sleeves are matched to the individual terminal. These are made of copper or brass material. The surface is SN PB plated. For each terminal to be joined a connection sleeve is required.

BS Fixing screw

In order to be able to connect the cross-connection bar with the connection sleeve to a modular terminal busbar, a steel fixing screw is employed. The steel screw has the task to mechanically fix the cross-connection unit to the busbar.

Cross-connections over more than 10 modular terminal

The first and last fixing screw is unscrewed from the VH. The QS 2 is inserted between the two fixing screws and once again screwed in the VH.



ACCESSORIES

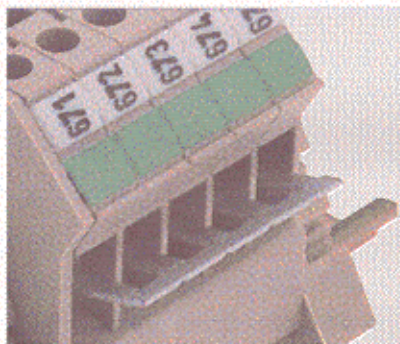
Q/QI				QS					VH					BS-SS				
Type	*	Type	Cat.-No.	Type	Cat.-No.	Dimensions				Type	Cat.-No.	Dimensions			Type	Cat.-No.	Dimensions	Continuous current
						b	d	L	d1			L	d2	d1				
SRU 4	1	Q2	2087.0	QS 2	2081.0	4.2	1	6	2.7	VH 8.5	2085.0	8.5	4	2.8	BS	2086.0	M 2.5x14	20 A
SR 4-T15	1	Q3	2088.0	QS 3	2082.0													
SRM 4	1	Q4	2089.0	QS 4	2083.0													
SRD 4	1	Q10	2090.0	QS 10	2084.0													
				QS 0.5 m	2386.0													
SRU 2.5	1	Q2	2422.0	QS 2	2417.0	4.2	1	5	2.7	VH 5	2327.0	5	4	2.8	BS	2326.0	M 2.5 x 10	20 A
SR 2.5-T15	1	Q3	2423.0	QS 3	2418.0													
SRI 2.5	1	Q4	2424.0	QS 4	2419.0													
SRID 2.5	1	Q10	2425.0	QS 10	2420.0													
		Q20	2700.0	QS 0.5m	2519.0													
SRD 2.5	1	Q2	2567.0	QS 2	2417.0	4.2	1	5	2.7	VH 8.5	2085.0	8.5	4	2.8	BS	2086.0	M 2.5 x 14	20 A
SR 2.5	1	Q3	2568.0	QS 3	2418.0													
		Q4	2569.0	QS 4	2419.0													
		Q10	2570.0	QS 10	2420.0													
SR 4	1	QI 2	2740.2															32 A
SR 4 DR	1	QI 3	2741.2															
SR 4 DRL	1	QI 4	2742.2															
		QI 10	2743.2															
SR 4	2	Q2	2019.0	QS 2	2013.0	6	2	6	3.4	VH 13.5	2017.0	13.5	5	3.5	BS	2018.0	M 3 x 20	27 A
SR 4 DR	2	Q3	2020.0	QS 3	2014.0													
SR 4 DRL	2	Q4	2021.0	QS 4	2015.0													
		Q10	2022.0	QS 10	2016.0													
				QS 0.5m	2387.0													
SR 10	1	QI 2	2750.2															57 A
SRP 10 L	1	QI 3	2751.2															
SRP 10 Q	1	QI 4	2752.2															
SRP 10 D	1	QI 10	2753.2															
SR 10	2	Q2	2060.0	QS 2	2055.0	6	2	8	3.4	VH 12	2059.0	12	5	3.5	BS	2018.0	M 3 x 20	47 A
		Q3	2061.0	QS 3	2056.0													
		Q4	2062.0	QS 4	2057.0													
		Q10	2063.0	QS 10	2058.0													
SR 16	1	Q2	2112.0	QS 2	2108.0	6	2	12	3.4	VH 12	2059.0	12	5	3.5	BS	2018.0	M 3 x 20	47 A
		Q3	2113.0	QS 3	2109.0													
		Q4	2114.0	QS 4	2110.0													
		Q10	2115.0	QS 10	2111.0													
SR 35	1			QS 2	2118.0	8	3	16	4.5	VH 17	2122.0	17	8	5	BS	2123.0	M 4 x 30	65 A
				QS 3	2119.0													
				QS 4	2120.0										SS	2124.0		
				QS 10	2121.0													
SRDI 2.5...	1	Q2	2832.0	QS 2	2081.0	4.2	1	6	2.7	VH 5	2327.0	5	4	2.8	BS	2326.0	M 2.5 x 10	27 A
SRDIS 2.5...	1	Q3	2833.0	QS 3	2082.0													
		Q4	2834.0	QS 4	2083.0													
		Q10	2835.0	QS 10	2084.0													
		Q20	2836.0	QS 0.5m	2386.0													
SRSI 10-T32K	1			QS 2	2366.0	6	2	12	3.4						BS	2365.0	M 3 x 6	47 A
SRSI 10-T35K	1			QS 3	2367.0													
				QS 4	2368.0													
				QS 10	2369.0													

*All terminals marked with "1" are absolutely safe from contact when using cross-connections, as per prescription of accident prevention "Electrical Plants and Equipment" (V8G 4) resp. VDE 0106 Part 100/3.33. In order to be absolutely safe from contact, all terminals marked with "2" have to be secured with a cover, e.g. ADD. EA1 or similar objects.

External Jumpers uninsulated

External jumpers permit the current branching for modular terminals which do not possess a cross connection channel in the terminal middle. The types AQ 58 and AQ 75 are supplied in 58 or 75 pole versions. They can easily be broken off or cut manually. Insulation profiles for subsequent connections are available for both pitches.

When using external jumpers, the rated cross section reduces to the next smaller conductor size.



Type	Pole spacing	Cat.-No.	Qty. p.pck.
AQ 75*	75 poles 6 mm	2480.0	10
AQ 75**	75 poles 6 mm	2481.0	10
AQ 58*	58 poles 8 mm	2477.0	10
AQ 58**	58 poles 8 mm	2478.0	10

* Straight design

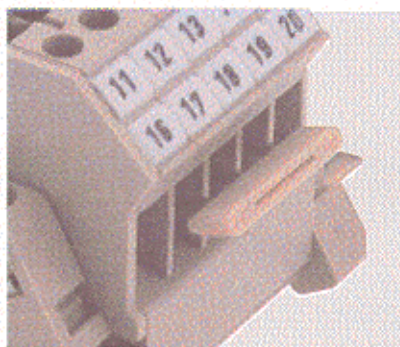
** Angled design

Length 460 mm

Current rating 27 A

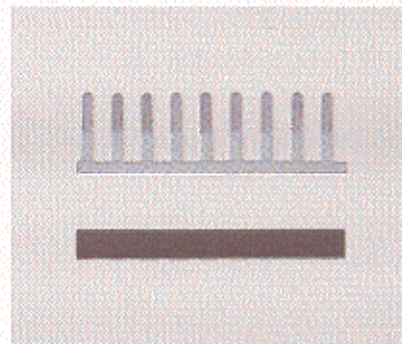
External jumpers permit the current branching for modular terminals which do not possess a cross connection channel in the terminal middle. The types AQ 2 - AQ 4 are external jumpers sprayed with Polyamid 6.6.

When using external jumpers, the rated cross section reduces to the next smaller conductor size.



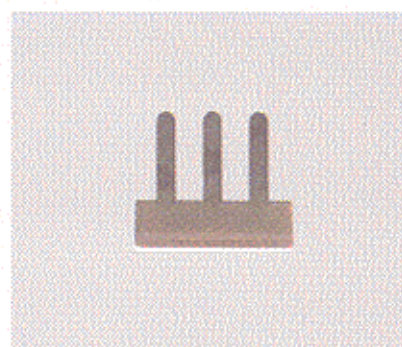
Type	Pole spacing	Cat.-No.	Qty. p.pck.
AQ 2*	2 poles 6 mm	2064.0	50
AQ 3*	3 poles 6 mm	2065.0	50
AQ 4*	4 poles 6 mm	2066.0	50
AQ 2*	2 poles 8 mm	2067.0	50
AQ 3*	3 poles 8 mm	2068.0	50
AQ 4*	4 poles 8 mm	2069.0	50

Current rating 10 A



Type	Cat.-No.	Qty. p.pck.
Insulation strip IP 75	2482.0	10
Insulation strip IP 58	2479.0	10

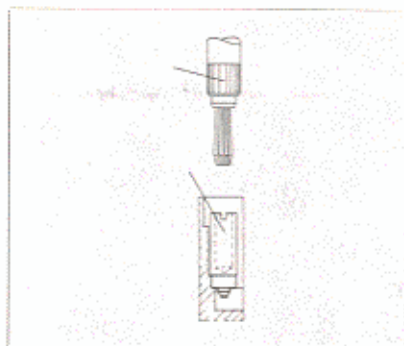
Insulation strip for type AQ "cut to suit" external jumper can be cut to any length and mounted onto the jumper for safety.



Test plug PS/ Test plug adapter ZS

Test plug type PS serve for the final testing of finished wired terminal strips. Test plugs are available for 2.3 and 4.0 mm \varnothing sockets.

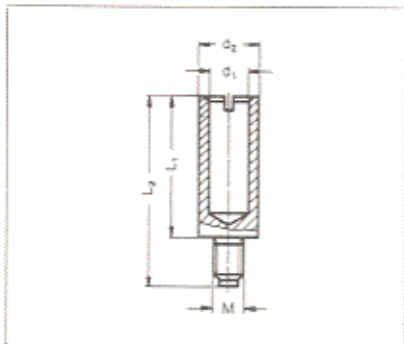
The intermediate plug ZS 2.3/4 permits the transition from a 4.0 mm \varnothing plug to 2.3 mm \varnothing socket.



Type	Cat.-No.	Qty.p.pck.
PS 2.3	2007.0	20
PS 4	2051.0	20
ZS 2.3/4	2052.0	20

Test-Sockets STB

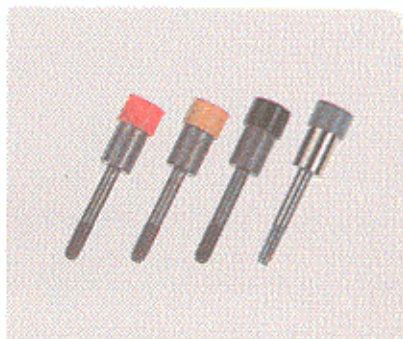
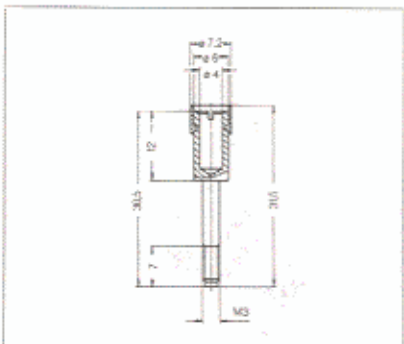
Sockets type STB are inserted in the busbar or screwed in the modular terminal in place of the terminal screw. They serve to take up the test sockets type PS.



Type	Cat.-No.	Dimensions					Qty.p.pck.
		L1	L2	d1	d2	M	
STB 8.5/2.3	2075.0	8.5	11.5	2.3	4	2.5	50
STB 14/2.3	2006.0	14	17.5	2.3	5	3	50
STB 14/4	2050.0	14	19	4	6	3	50
STB 16/4	2127.0	16	23	4	7	4	50
STB 6	2373.0	6	11.5	2.3	4	3	100
STB 7	2374.0	7	14.5	2.3	4	3	100

Test-Sockets STB 30.5

When both, an internal jumper bar assembly and a socket are required in a terminal block assembly, the insulated socket type STB 30.5 can be used instead of any of the regular type BS mounting screws of the jumper bar assembly. The socket accepts type PS 4 test plugs and can be used with terminals type SR4, SR10, SR16.



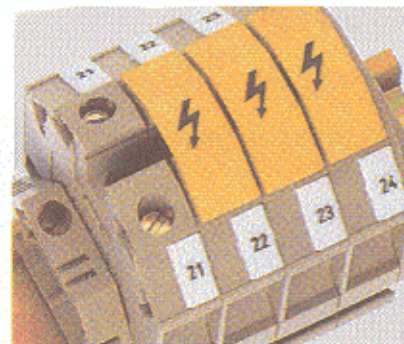
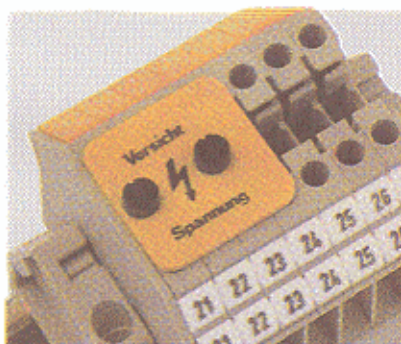
Type	Color	Cat.-No.
STB 30.5	black	2512.0
STB 30.5	grey	2513.0
STB 30.5	blue	2514.0
STB 30.5	red	2515.0

Type	Color	Cat.-No.
STB 30.5	green	2516.0
STB 30.5	yellow	2517.0
STB 30.5	violet	2518.0

Covers

Several VDE-regulations require that main connection terminals be covered in addition to meeting the protection type IP 20. For this reason we offer cover plates.

The covers must be fitted to the terminal strips with plastic screws type BSK.



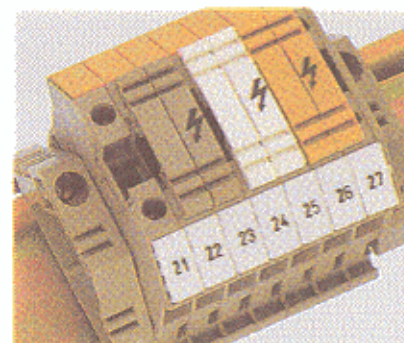
Type	Cat.-No.	Qty.p.pck.	Cover Type	Cat.-No.	Qty.p.pck.	Plastic screw Type	Cat.-No.	Qty.p.pck.	used with clamp
AD 4	2712.0	50	AD4 E	2713.0	50	BSK M 2.5x22	2080.0	100	SR 2.5
AD 4	2079.0	50	AD4 E	2493.0	50	BSK M 2.5x22	2080.0	100	SRU 4/SR 4-T15/SRD 4
AD 4	2011.0	50	AD4 E	2494.0	50	BSK M 3x22	2012.0	100	SR 4
AD 4	2054.0	50	AD4 E	2495.0	50	BSK M 3x22	2012.0	100	SR 10
AD 1	2819.0	20							SR 16
AD 1	2820.0	20							SR 35

Individual covers

Individual covers are available for terminal blocks SR2.5, SR4, SR10, SR4DR, SR4DLR, SRSL2.5, SRSL4 and SRSL 10.

These covers are made of Polyamide 6.6 in white, beige and yellow color. An easy and clean manual label can be made by the BS 1 marker pen, article no. 2034.0.

The individual covers can also be provided with single marking systems SB 5/10, AS 3/10 as well as in combination with marker carriers Scht 36, BSTR 10/5. Therefore, the use of group marker carriers are recommended.

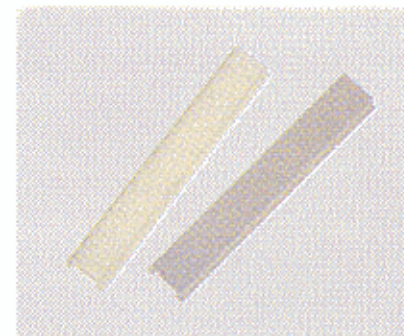
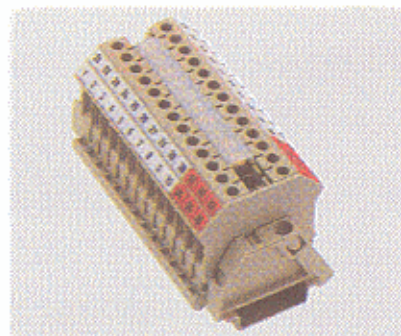


Type	Cat.-No.	Qty.p.pck.	Color
EA 1	2703.2	50	beige
EA 1	2703.7	50	white
EA 1	2703.8	50	yellow

Type	Cat.-No.	Qty.p.pck.	Color
EA1/B	2803.2	50	beige
EA1/B	2803.7	50	white
EA1/B	2803.8	50	yellow

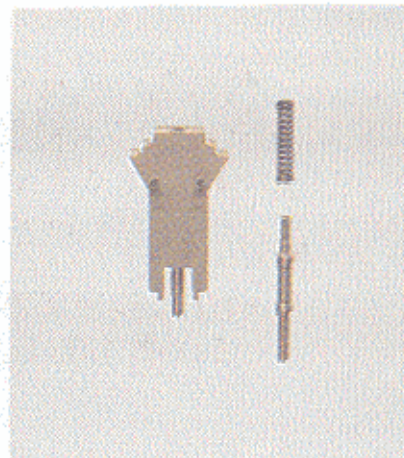
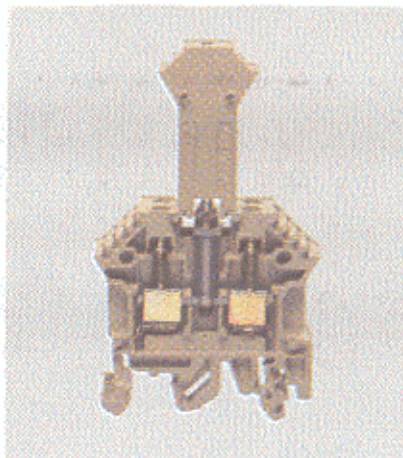
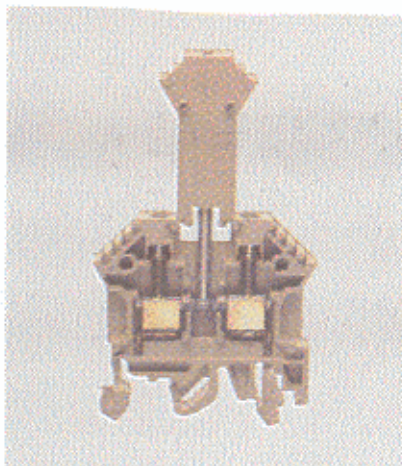
Covers

For terminal types SR4, SR10, SR4DR and SR4DLR 4 covers of 60 mm lengths are available. These can be used to protect against contact when operating with cross-connections. The cover is made of Polyamide 6.6 and is available in transparent or white color.



Type	Cat.-No.	Qty.p.pck.	Color
AD Q	2499.7	20	white

Type	Cat.-No.	Qty.p.pck.	Color
AD Q	2499.0	20	transparent



Modular Test Plugs TA/TAD

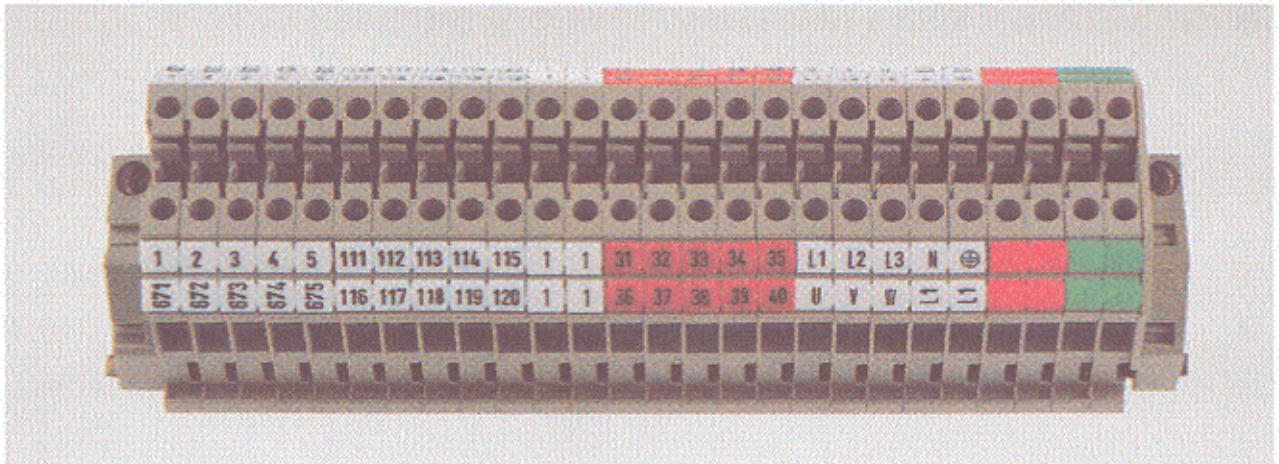
Comfortable and efficient tests can be performed with our modular test plug program. It is a modular system and therefore any required poles can be assembled by means of fixed drop-in pins.

The enclosure is made of polyamide 6.6. An elastic feeler soldered or crimped to the test wires contacts the cross-connection or the bus bar, according to the version.

The test plugs will be supplied loose, i.e. enclosure, spring and feeler. The TAD versions come together with an end plate. All test plugs can be marked with commercial marking systems.



Type	Cat.-No.	Qty.p.pck.	Width	Used with clamp
TA 5/1	2812.0	10	5 mm	SR 2.5
TA 5/1	2823.0	10	5 mm	SR 2.5
TA 6/1	2813.0	10	6 mm	SR 4, SR 4 DR, SR 4 DLR
TA 6/1	2824.0	10	6 mm	SR 4, SR 4 DR, SR 4 DLR
TA 8/1	2817.0	10	8 mm	SR 10
TA 8/1	2837.0	10	8 mm	SR 10
TAD 5/1	2821.0	10	5 mm	SRD 2.5
TAD 6/1	2822.0	10	6 mm	SRD 4



The SB "Quick" marking System

This type of labeling combines the advantage of being cost effective with easy handling. The SB strip consists of white Polyamide 6.6 with a black print. The impressed black print is impervious to wiping.

One SB strip consists of 10 single tags which can be simply pushed into the label slots of the terminal.

The SB strips can be easily divided at any point. With the SB 1 marker pen Cat. No. 2034.0 the SB strips can be manually labeled, easy and clean. The strips are delivered in plastic bags of 50 strips each = 500 single tags; beginning with 3 digits they are delivered in plastic bags of 25 strips each = 250 single tags.

SB 5/10 = width 5 mm

The 5 mm push-on tag can be used individually for all width terminals and as continuous strips on all 5 mm wide terminals.

The print can have a maximum of 3 characters horizontally, 2 characters vertically.

Tags with vertical imprints:

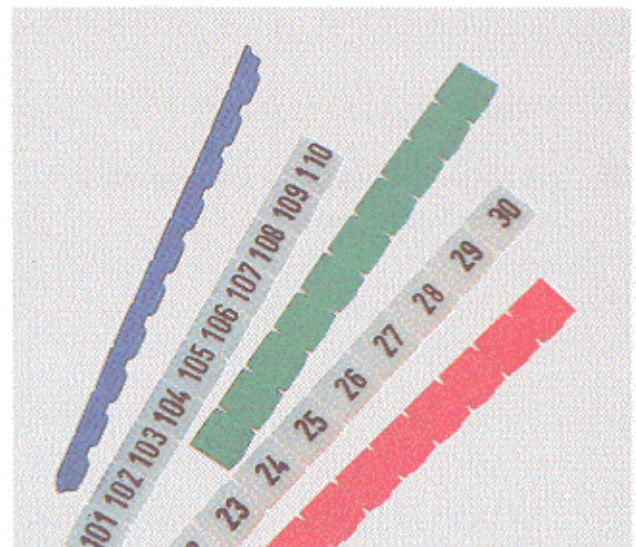
FS = vertical consecutive

GS = vertical 10 tags same print

SB special prints

Custom character prints can be supplied.

Minimum order quantities: 250 strips = 2,500 tags.



SB 6/10 = width 6 mm

The 6 mm push-on tag can be used individually or as continuous strips on all 6 mm wide terminals. The print can have a maximum of 4 characters horizontally, 3 characters vertically.

SB colored

The push-on tags of the SB marking system can be ordered in any of the following colors, with or without character prints:

red, yellow, green, blue, orange. The color of the character print is black.

Minimum order quantity for color printed strips per color:

250 strips = 2,500 tags.

SB Strips of 10 tags, blank, write on surface

For self marking of tags we recommend using the BS 1 marking pen. Black ink, water and rub proof.



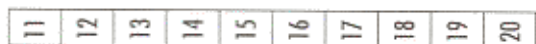
Type	Width	Cat.-No.	Qty.p.pck.	
SB 5/10	5 mm	2430.0	500	white
SB 5/10	5 mm	2259.0	500	colored
SB 6/10	6 mm	2035.0	500	white
SB 6/10	6 mm	2291.0	500	colored
BS 1		2034.0	10	

SB FW Strips of 10 tags, horizontally printed, consecutive characters



Type	Width	Cat.-No.	Qty.p.pck.	
SB 5/10 FW	5 mm	2431.0	500	No. 1...100
			250	101...999
SB 6/10 FW	6 mm	2036.0	500	No. 1...100
			250	101...999
SB 5/10 FW	5 mm	2358.0	500	colored
SB 6/10 FW	6 mm	2359.0	500	colored

SB FS Strips of 10 tags, vertically printed, consecutive characters



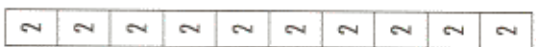
Type	Width	Cat.-No.	Qty.p.pck.	
SB 5/10 FS	5 mm	2433.0	500	No. 1...100
			250	101...999
SB 6/10 FS	6 mm	2037.0	500	No. 1...100
			250	101...999
SB 5/10 FS	5 mm	2507.0	500	colored
SB 6/10 FS	6 mm	2508.0	500	colored

SB GW Strips of 10 tags, horizontally printed, identical characters

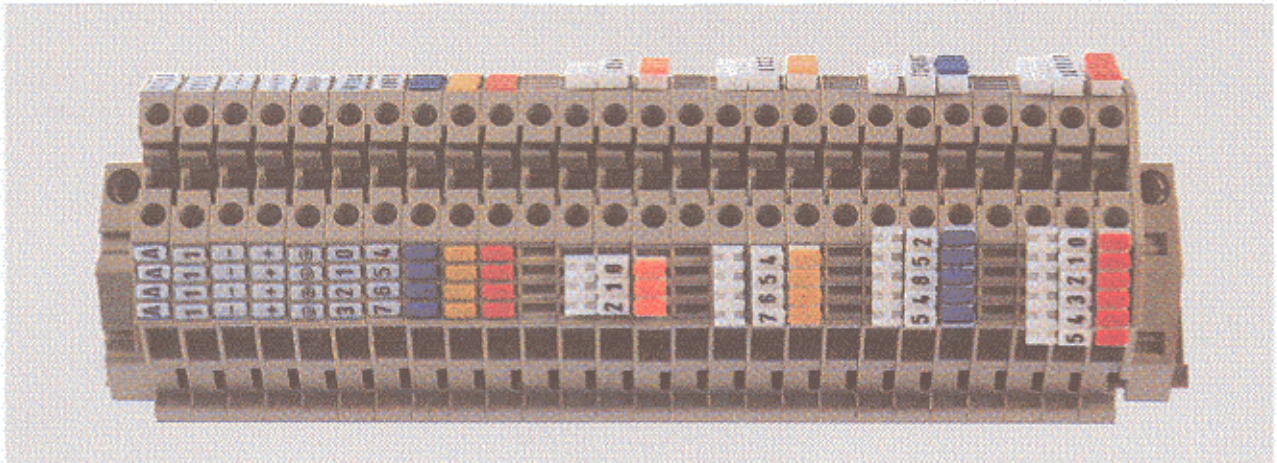


Type	Width	Cat.-No.	Qty.p.pck.	
SB 5/10 GW	5 mm	2432.0	500	No. 1...100
			250	101...400
			500	A-Z, a-z, +, -, =
SB 6/10 GW	6 mm	2102.0	500	No. 1...100
			250	101...400
			500	A-Z, a-z, +, -, =
SB 5/10 GW	5 mm	2509.0	500	colored
SB 6/10 GW	6 mm	2363.0	500	colored

SB GS Strips of 10 tags, vertically printed, identical characters



Type	Width	Cat.-No.	Qty.p.pck.	
SB 5/10 GS	5 mm	2434.0	500	No. 1...100
			250	101...400
			500	A-Z, a-z, +, -, =
SB 6/10 GS	6 mm	2103.0	500	No. 1...100
			250	101...400
			500	A-Z, a-z, +, -, =
SB 5/10 GS	5 mm	2364.0	500	colored
SB 6/10 GS	6 mm	2476.0	500	colored

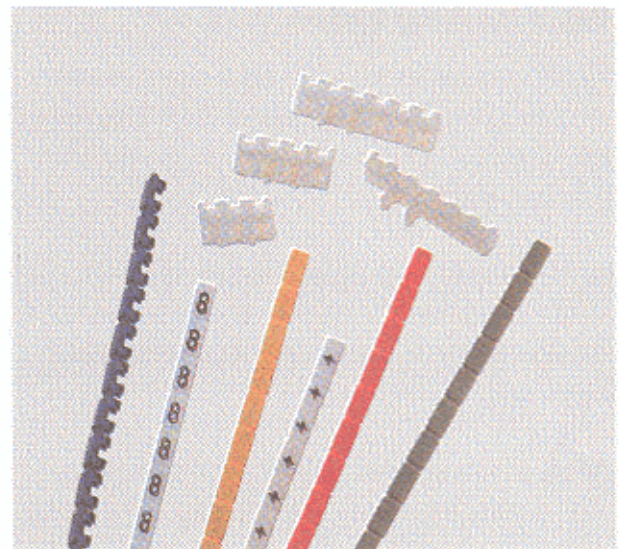


Marking System AS 3/10

The feature of this marking system is the wide universal application with a remarkable low storage. The AS 3 strip consists of white Polyamide 6.6 with a black 1 digit print, which is hot impressed and impervious to wiping.

One AS 3 strip consists of 10 single tags, vertically readable, which can be individually pushed into the label slots of the terminals, depending on the terminal type with numerals of 2 - 4. The strip can be divided at any point. With the SB 1 marker pen, Cat.-No. 2034.0 the AS 3 strips can be manually labeled, easy and clean.

The strips are delivered in plastic bags of 50 strips each = 500 single tags.



AS 3/10 colored

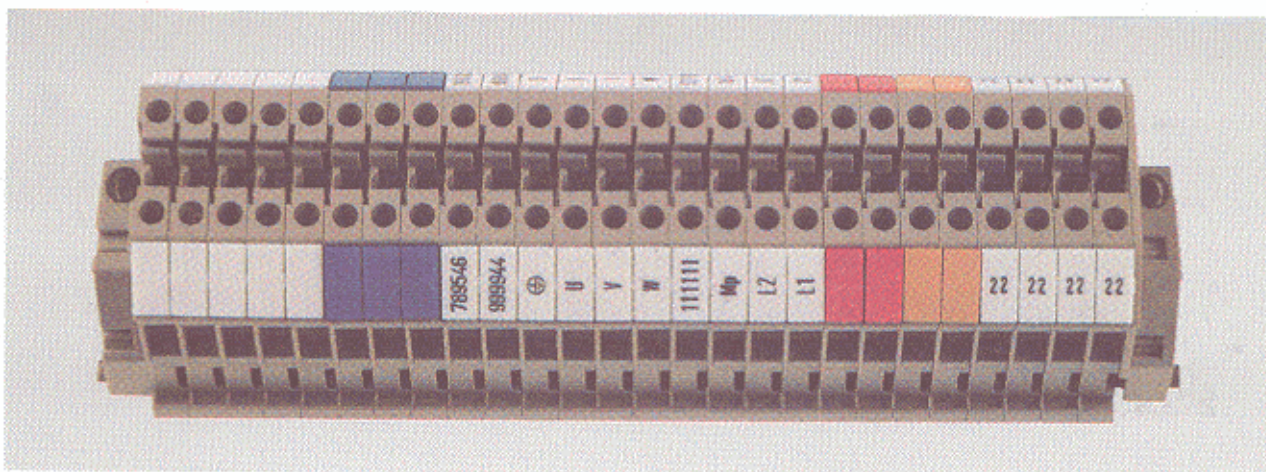
Colored versions of AS 3/10 strips are also available in red, yellow, green, blue and orange.

The print is black. On request, please mention the color.

Marking Carrier SchT

The marking carrier SchT 3 - 6 can be fitted - vertically readable - with marking strips AS 3/10, from 3 - 6 digits. The carrier is provided with a foot and can be simply pushed into the slot of the terminal.

Type	Dimension SchT	Cat.-No.	Qty.p.pck.	
AS 3/10		2571.0	500	blank
AS 3/10 F		2572.0	500	Printed with consecutive numbers 0-9
AS 3/10 G		2573.0	500	Printed with same characters 0-9/A-Z/a-z/+/-/⊕
SchT 3	9.5 mm	2616.0	100	
SchT 4	12.5 mm	2617.0	100	
SchT 5	15.8 mm	2618.0	100	
SchT 6	19.0 mm	2619.0	100	

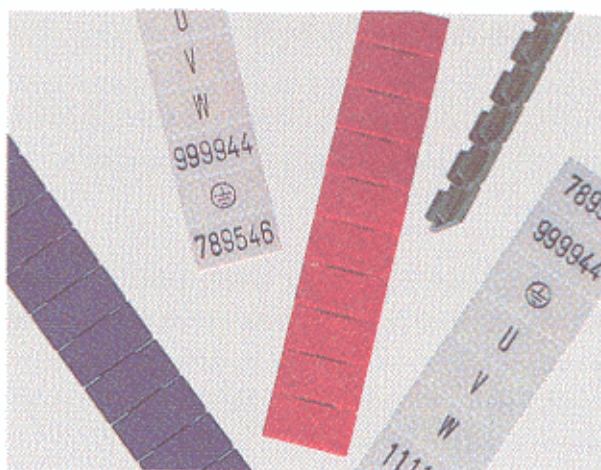


Rapid Marking System BSTR

This BSTR system has been developed in order to meet the more and more growing demands on marking possibilities. The BSTR strip consists of white Polyamide 6.6, with a black print, which is hot impressed and impervious to wiping.

One strip consists of 10 single tags which can be quickly pushed into the label slots of the terminals. The strip can be divided at any point. With the BS 1 marker pen, Cat.-No. 2034.0 the strips can be manually labeled, easy and clean.

The strips are delivered in plastic bags of 20 strips = 200 single tags.



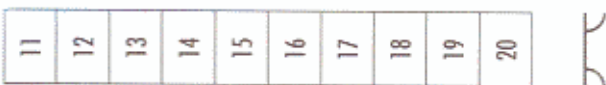
BSTR colored

Colored versions of BSTR strips are also available: red, yellow, green, blue and orange.

The print is black. On request, please mention the color.



BSTR 10/5 Print max. 3 digit horizontal, 2 lines
BSTR 12/6 Print max. 4 digit horizontal, 3 lines

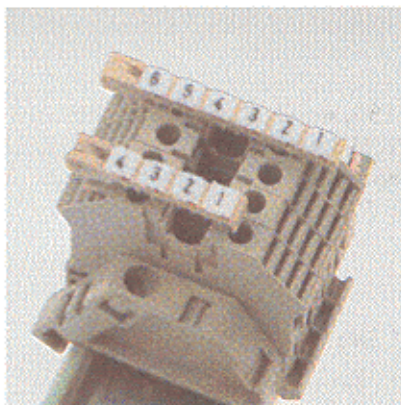


BSTR 10/5 Print max. 6 digit vertical, 1 lines
BSTR 12/6 Print max. 8 digit vertical, 1 lines

Type	Width	Cat.-No.	Qty.p.pck.	Color
BSTR 10/5	5 mm	2610.0	200	white
BSTR 10/5	5 mm	2701.0	200	colored
BSTR 12/6	6 mm	2613.0	200	white
BSTR 12/6	6 mm	2702.0	200	colored

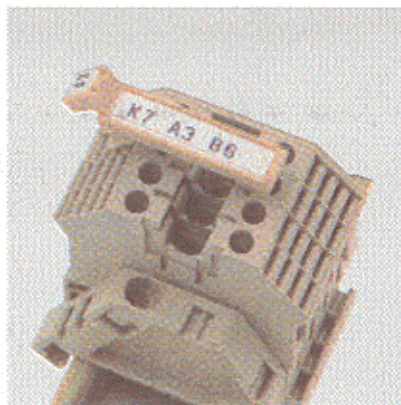
Type	Width	Cat.-No.	Qty.p.pck.	Color
BSTR 10/5	5 mm	2611.0	200	white
BSTR 10/5	5 mm	2706.0	200	colored
BSTR 12/6	6 mm	2614.0	200	white
BSTR 12/6	6 mm	2707.0	200	colored

Type	Width	Cat.-No.	Qty.p.pck.	Color
BSTR 10/5	5 mm	2612.0	200	white
BSTR 10/5	5 mm	2708.0	200	colored
BSTR 12/6	6 mm	2615.0	200	white
BSTR 12/6	6 mm	2709.0	200	colored



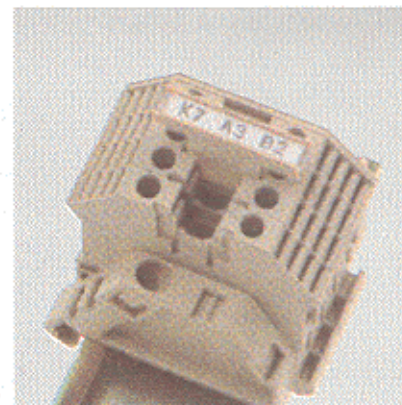
Type	Cat.-No.	Qty.p.pck.
SchT 4/9	2502.0	20
SchT 6/14	2503.0	20

The swivelling tag holder is inserted into one of the two tag slots in the terminal body. Two tag holders with different length arms are offered; the smaller size arm accepts 4 of the SB type tags, while the longer one accepts 6 tags.



Type	Cat.-No.	Qty.p.pck.
SchT 7	2504.0	100
Tag carrier		
ESO Marking strip blank	2505.0	10
STR Cover	2506.0	100

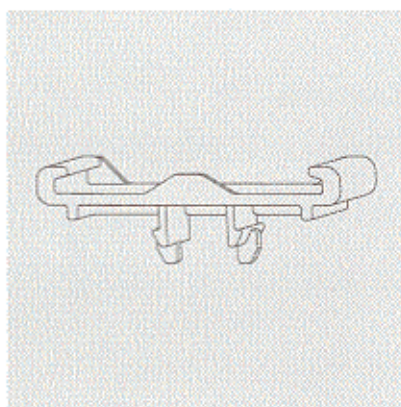
The swivelling tag holder is inserted into one of the two tag slots in the terminal body.



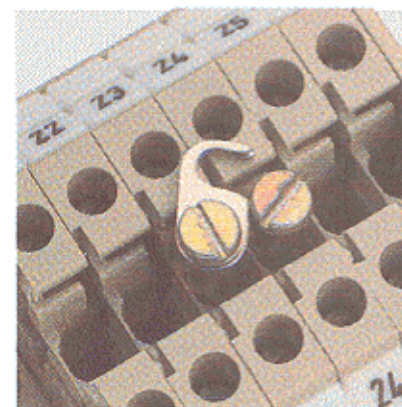
Type	Cat.-No.	Qty.p.pck.
SchT 8	2520.0	100
Tag carrier		
BST 8	2521.0	
Marking strip		
216 pcs. tag p. card		
SK 8	2522.0	100
Transparent cover		

The tag carrier can be inserted into the tag slots, which can be done subsequently.

Used with: SR 4, SR 10, SR 16, SRP 10.



Switchable links are designed for 2 poles, easily disconnecting cross-connections. Fitting is made with type VH connection sleeves and type BS fixing screws.



Type	Cat.-No.	Qty.p.pck.
SchT 2	2888.0	20
Tag carrier		
ESO 2	2877.0	20
Marking strip blank		
STR 2	2878.0	20
Cover		

Switchable links			Connection sleeve		Screw	
Type	Cat.-No.	Application	Type	Cat.-No.	Type	Cat.-No.
QL 2	2076.0	SRU 4/SRD 4	VH 16	2077.0	BS M 2.5x20	2078.0
QL 2	2008.0	SR 4	VH 19	2009.0	BS M 3x25	2010.0
QL 2	2053.0	SR 10	VH 19	2009.0	BS M 3x25	2010.0
QL 2	2106.0	SR 16	VH 19	2009.0	BS M 3x25	2010.0

Qty. p. pack VH 16 and VH 19 is 100 pcs.

Qty. p. pack QL 2 is 50 pcs.

Used with:

ES 32/2/K - ES 32 K/ST

ES 35/2/K - ES 35 K/ST