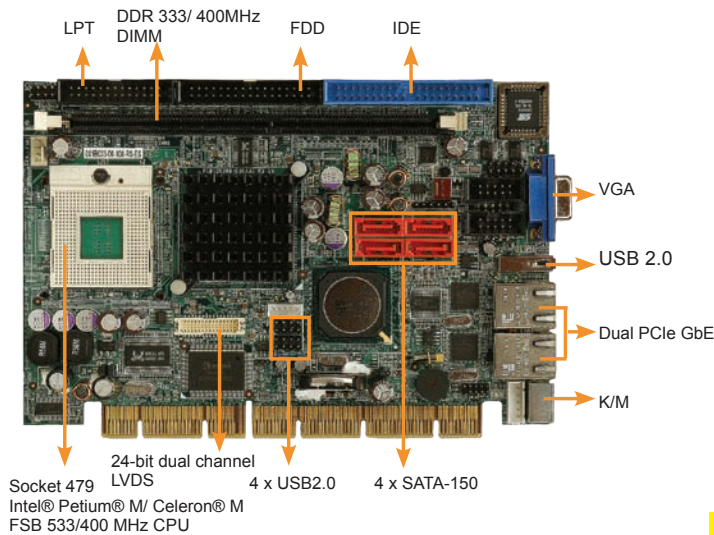


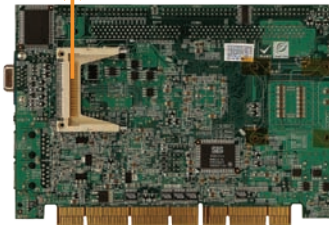
PCISA-6612LVDS

PCISA Intel® Pentium® M / Celeron® M
400/533MHz FSB CPU Card with CRT/LCD, Dual
PCIe GbE, USB2.0, SATA and Audio

8-bit ISA only.



CF Type II solder side



Specifications

- ◆ **CPU**
Socket 479 Intel® Pentium® M 533MHz / Celeron® M 400MHz FSB (Dothan & Banias core) up to 2.26GHz
On-Board Intel® Celeron® M 600MHz 512K/ 1.0GHz Zero cache
- ◆ **System Chipset**
SIS® 661CX + SIS® 966
- ◆ **BIOS**
AMI BIOS
- ◆ **System Memory**
1 x 184-pin DDR 400/333MHz up to 1GB
- ◆ **Ethernet**
Dual PCIe BROADCOM BCM5787 GbE chipsets
- ◆ **I/O Interface**
2 x RS232
5 x USB 2.0
1 x IDE
1 x FDD
1 x LPT
4 x SATA with RAID 0,1, 0+1, and JBOD function support
1 x PS/2 for KB/MS
1 x IrDA
- ◆ **Digital I/O**
8-bit digital I/O, 4-bit input/ 4-bit output
- ◆ **Super I/O**
W83697HG
- ◆ **Audio**
5.1 Channel Audio Kit with Realtek ALC655
- ◆ **Display**
VGA integrated in SIS® 661CX
24-bit dual channel LVDS
- ◆ **SSD**
CF Type II
- ◆ **Watchdog Timer**
Software programmable supports 1~255 sec. System reset
- ◆ **Power Supply**
AT/ATX support
- ◆ **Power Consumption**
5V @ 6.59 A, 12V @ 0.12 A
(Intel® Pentium® M 2.13G/2M/533 CPU with 1GB DDR 400MHz)
- ◆ **Temperature**
operation: 0°C ~ 60°C (32°F ~ 140°F)
- ◆ **Humidity**
operation: 5%~95% non-condensing
- ◆ **Dimensions**
185mm x 127.6 mm
- ◆ **Weight**
GW: 1.0Kg

Features

1. PCISA CPU Card, Intel® Pentium® M/ Celeron® M up to FSB 533MHz
2. Support DDR 400/333MHz supported 1GB
3. 24-bit dual channel LVDS (Optional)
4. 2 x RS232, 5 x USB2.0, 4 x SATA

Packing List

1 x PCISA-6612 single board computer
1 x Mini jumper pack
1 x ATA66/100 flat cable (P/N: 32200-000052-RS)
2 x SATA cable (P/N: 32000-062800-RS)
1 x SATA Power cable (P/N: 32100-088600-RS)
1 x Dual RS-232 cable (P/N: 19800-000051-RS)
1 x KB/MS Y cable (P/N:32000-000138-RS)
1 x Utility CD
1 x QIG

Ordering Information

Part No.	Description
PCISA-6612-R10	PCISA CPU Card Intel® Pentium® M/ Celeron® M FSB533MHz with VGA, Dual PCIe GbE, USB2.0, SATA .
PCISA-6612LVDS-R10	PCISA CPU Card Intel® Pentium® M/ Celeron® M FSB533MHz with VGA, Dual PCIe GbE, USB2.0, SATA , LVDS
PCISA-6612-600-R10	PCISA CPU Card On-board Celeron® M 600MHz 512K Cache Processor with VGA, Dual PCIe GbE, USB2.0, SATA
PCISA-6612LVDS-600-R10	PCISA CPU Card On-board Celeron® M 600MHz 512K Cache Processor with VGA, Dual PCIe GbE, USB2.0, SATA, LVDS
PCISA-6612-1GZ-R10	PCISA CPU Card On-board Celeron® M 1.0GHz 0 Cache Processor with VGA, Dual PCIe GbE, USB2.0, SATA
PCISA-6612LVDS-1GZ-R10	PCISA CPU Card On-board Celeron® M 1.0GHz 0 Cache Processor with VGA, Dual PCIe GbE, USB2.0, SATA, LVDS
CB-USB02-RS	USB cable
AC-KIT08R-R10	5.1 Channel Audio Kit with Realtek ALC655
CF-479B-RS	CPU cooler