

The Kathrein-Scala Paraflector® is a high-gain half-parabolic antenna used in broadcast and communications systems around the world.

- High front-to-back ratio for point-to-point relay system applications, as well as GSM cellular repeaters and MAS and ISM systems.
- Fabricated from seamless drawn aluminum tubing and extruded pipe and heavy aluminum castings, gold anodized for corrosion protection, plus stainless steel hardware and fastenings. Foam-filled broadband feed assembly requires no pressurization and can be easily replaced if necessary.

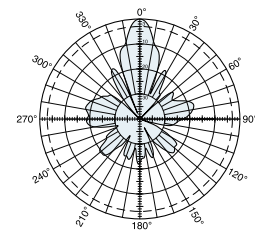


Specifications:

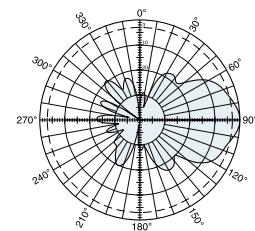
Frequency range	890–960 MHz
Gain	18 dBi
Impedance	50 ohms
VSWR	< 1.5:1
Polarization	Horizontal or vertical
Front-to-back ratio	>23 dB
Maximum input power	100 watts (at 50°C)
H-plane beamwidth	12 degrees (half-power)
E-plane beamwidth	24 degrees (half-power)
Connector	N female
Weight	38 lb (17.2 kg)
Dimensions	68 x 36 x 18 inches (1727 x 914 x 457 mm)
Equivalent flat plate area	6.35 ft ² (.595 m ²)
Wind survival rating*	100 mph (160 kph)
Shipping dimensions	40 x 36 x 7 inches (1016 x 914 x 178 mm)
Shipping weight	47 lb (21.3 kg)
Mounting	Mounting kits available for masts of 2.375 to 4.5 inches (60 to 114 mm) OD.

See reverse for order information.

* Mechanical design is based on environmental conditions as stipulated in EIA-222-F (June 1996) and/or ETS 300 019-1-4 which include the static mechanical load imposed on an antenna by wind at maximum velocity. See the Engineering Section of the catalog for further details.



H-plane
Horizontal pattern – V-polarization
Vertical pattern – H-polarization

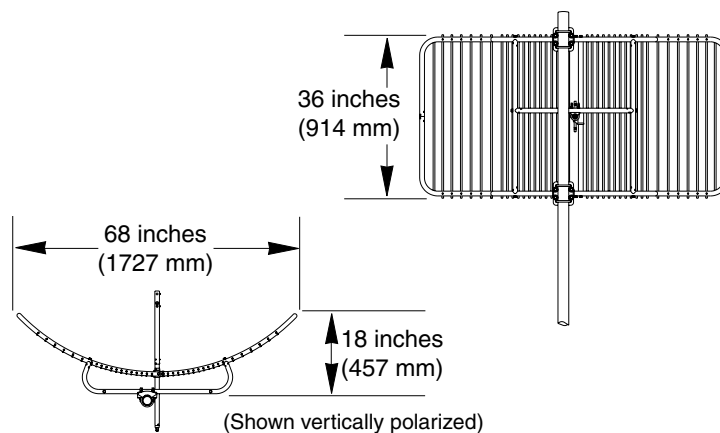
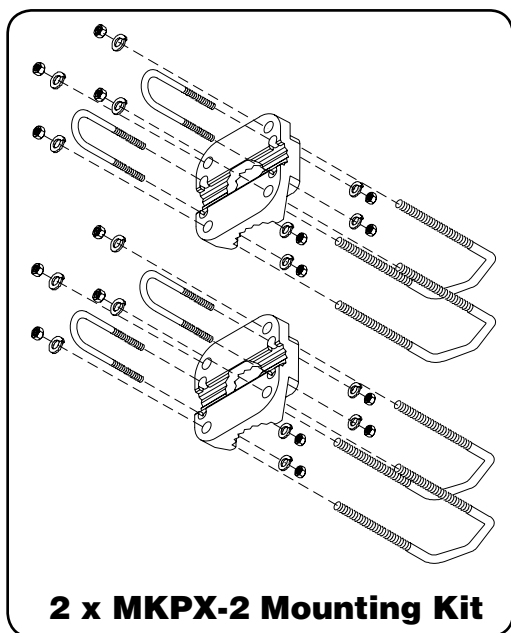


E-plane
Horizontal pattern – H-polarization
Vertical pattern – V-polarization



10055-G

PARAFLECTOR is a registered trademark of Kathrein Inc., Scala Division.



Mounting Options:

Model	Description
2 x MKPX-2	Mounting Kit for 2.375 inch (60 mm) OD mast.
MKPX-9	Mounting Kit for 2.875 inch (73 mm) OD mast.
MKPX-10	Mounting Kit for 3.5 inch (89 mm) OD mast.
MKPX-11	Mounting Kit for 4 inch (102 mm) OD mast.
MKPX-12	Mounting Kit for 4.5 inch (114 mm) OD mast.
MKTB-1	Tilt Mount Kit, 8-39 degrees tilt angle. Used with any MKPX kit listed above

Order Information:

Model	Description
PR-900	Half-parabolic antenna with N connector

All specifications are subject to change without notice. The latest specifications are available at www.kathrein-scala.com.