

# CT01 - 6U CompactPCI Transition Module for PC-MIP



- ◆ 6U/80mm format
- ◆ For use of standard connectors

The CT01 is a 6U CompactPCI transition module for use in combination with MEN's 6U CompactPCI carrier boards for PC-MIP mezzanine modules. It is plugged onto J3/J4/J5 of the CompactPCI backplane system slot from the rear side and leads the rear-panel I/O signals to

standard connectors. Consequently, standard cables can be used to connect peripherals.

## Technical Data

### Peripheral Connections

- 4 PC-MIP interfaces via 68-pin SMT plug
- 6 PC-MIP interfaces via 50-pin SMT plug

### Electrical Specifications

- MTBF: 150,000h @ 50°C

### Mechanical Specifications

- Dimensions: 6U width, 80mm depth, 4TE height
- Compliant with CompactPCI Specification 2.0 R2.1 for rear panel I/O boards
- Compliant with IEEE1101.11, draft 5.0
- Weight: 132g

### Environmental Specifications

- Temperature range (operation):
  - 0..+60°C
  - Industrial temperature range on request
  - Airflow: min. 10m<sup>3</sup>/h
- Temperature range (storage): -40..+85°C
- Relative humidity (operation): max. 95% non-condensing
- Relative humidity (storage): max. 95% non-condensing
- Altitude: -300m to + 3,000m
- Shock: 15g/0.33ms, 6g/6ms
- Vibration: 1g/5..2,000Hz

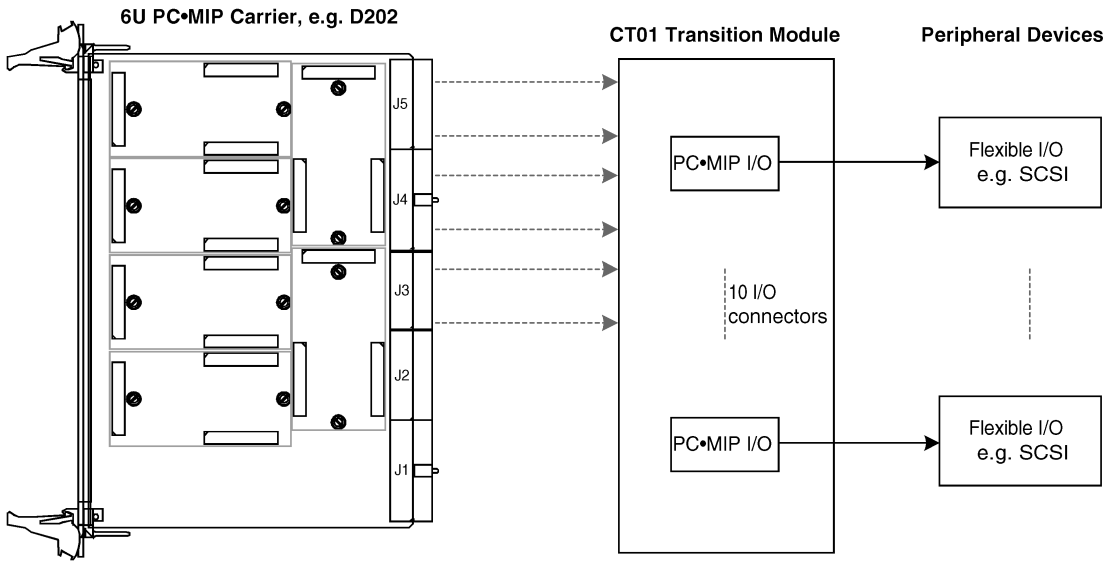
### Safety

- PCB manufactured with a flammability rating of 94V-0 by UL recognized manufacturers

### EMC

- Tested according to EN 55022 / 1999-05 (radio disturbance) and EN 55024 / 1999-05 (immunity) with regard to CE conformity

### Diagram



## Related Products

### Standard Hardware

08CT01-00	CompactPCI transition module 6U/80mm, 6 x 50-pin + 4 x 68-pin ribbon cable connectors
-----------	---

### Documentation

20CT01-00	CT01 user manual
-----------	------------------

For the most up-to-date ordering information and direct links to other data sheets and downloads, see the CT01 online data sheet under [www.men.de](http://www.men.de). --> [Click here!](#)

#### Germany

MEN Mikro Elektronik GmbH  
Neuwieder Straße 5-7  
90411 Nuremberg  
Phone +49-911-99 33 5-0  
Fax +49-911-99 33 5-901  
E-mail [info@men.de](mailto:info@men.de)  
[www.men.de](http://www.men.de)

#### France

MEN Mikro Elektronik SA  
18, rue René Cassin  
ZA de la Châtelaine  
74240 Gaillard  
Phone +33 (0) 450-955-312  
Fax +33 (0) 450-955-211  
E-mail [info@men-france.fr](mailto:info@men-france.fr)  
[www.men-france.fr](http://www.men-france.fr)

#### UK

MEN Micro Ltd  
Whitehall, 75 School Lane  
Hartford, Northwich  
Cheshire UK, CW8 1PF  
Phone +44 (0) 1477-549-185  
Fax +44 (0) 1477-549-178  
E-mail [info@menmicro.co.uk](mailto:info@menmicro.co.uk)  
[www.menmicro.co.uk](http://www.menmicro.co.uk)

#### USA

MEN Micro, Inc.  
PO Box 4160  
Lago Vista, TX 78645-4160  
Phone (512) 267-8883  
Fax (512) 267-8803  
E-mail [sales@menmicro.com](mailto:sales@menmicro.com)  
[www.menmicro.com](http://www.menmicro.com)

The date of issue stated in this data sheet refers to the Technical Data only. Changes in ordering information given herein do not affect the date of issue. All brand or product names are trademarks or registered trademarks of their respective holders.

Information in this document has been carefully checked and is believed to be accurate as of the date of publication; however, no responsibility is assumed for inaccuracies. MEN Mikro Elektronik accepts no liability for consequential or incidental damages arising from the use of its products and reserves the right to make changes on the products herein without notice to improve reliability, function or design. MEN Mikro Elektronik does not assume any liability arising out of the application or use of the products described in this document.

The products of MEN Mikro Elektronik are not suited for use in nuclear reactors and for application in medical appliances used for therapeutical purposes. Application of MEN's products in such plants is only possible after the user has precisely specified the operation environment and after MEN Mikro Elektronik has consequently adapted and released the product.

Copyright © 2004 MEN Mikro Elektronik GmbH. All rights reserved.