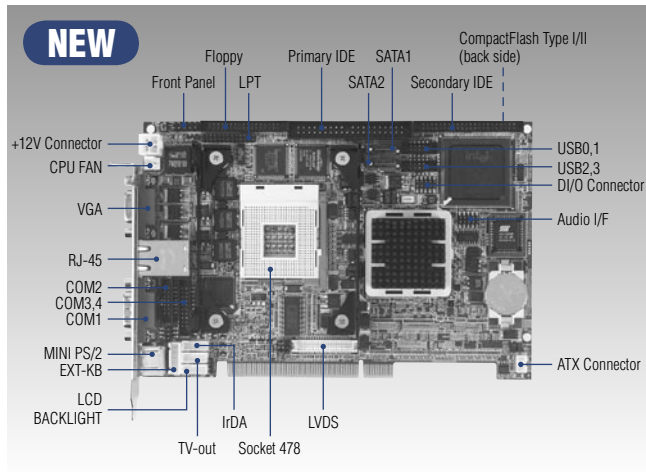


PCI-6882

PCI Intel® Pentium® 4/Celeron® D/Celeron Half-sized SBC with VGA/LVDS/LAN/USB/TV-out/ SSD/SATA



Specifications

General

- **CPU** Embedded Intel Pentium 4 processor, up to 3.06 GHz
Celeron D/Celeron process, up to 2.8 GHz
- **2nd Cache Memory** 512 KB on Pentium 4
256 KB on Celeron D
128 KB on Celeron
- **System Chipset** Intel 852GME + ICH4
- **BIOS** AWARD 4 Mbit Flash BIOS
- **System Memory** 2 x 200 pin DDR SODIMM x 2, support non-ECC DDR up to 2 GB
- **Power Management** APM 1.2, ACPI 2.0 supported
- **SSD** Supports CompactFlash® Card Type I/II
- **Watch Dog Timer** 0 ~ 255 sec., System reset
- **Expansion Interface** 32-bit PCI slot
- **Battery** Lithium 3 V/196 mAh

I/O

- **I/O Interface** 2 x IDE, 1 x FDD, 1 x K/B, 1 x Mouse, 2 x SATA
1 x RS-232/422/485, 3 x RS-232, 1 x LPT
- **USB** 4 x USB ports, USB 2.0 compliant
- **Audio** Supports AC97 Audio with optional PCM-231A-00A1
- **IrDA** 115 kbps, IrDA 1.1 compliant
- **GPIO** 8-bit general purpose input/output (optional)
- **I/O Expansion** TV-out, PCI

Ethernet

- **Chipset** Intel 82541PI (Gigabit), Intel 82551ER/82551QM (optional)
- **Speed** 10/100Base-T, 10/100/1000Base-T
- **Interface** 1 x RJ-45
- **Standard** IEEE 802.3 z/ab (1000Base-T) or IEEE 802.3u (100 Base-T) protocol compatible
- **Built-in Boot ROM** 82541PI, with 82551QM can have this function by optional

Display

Features

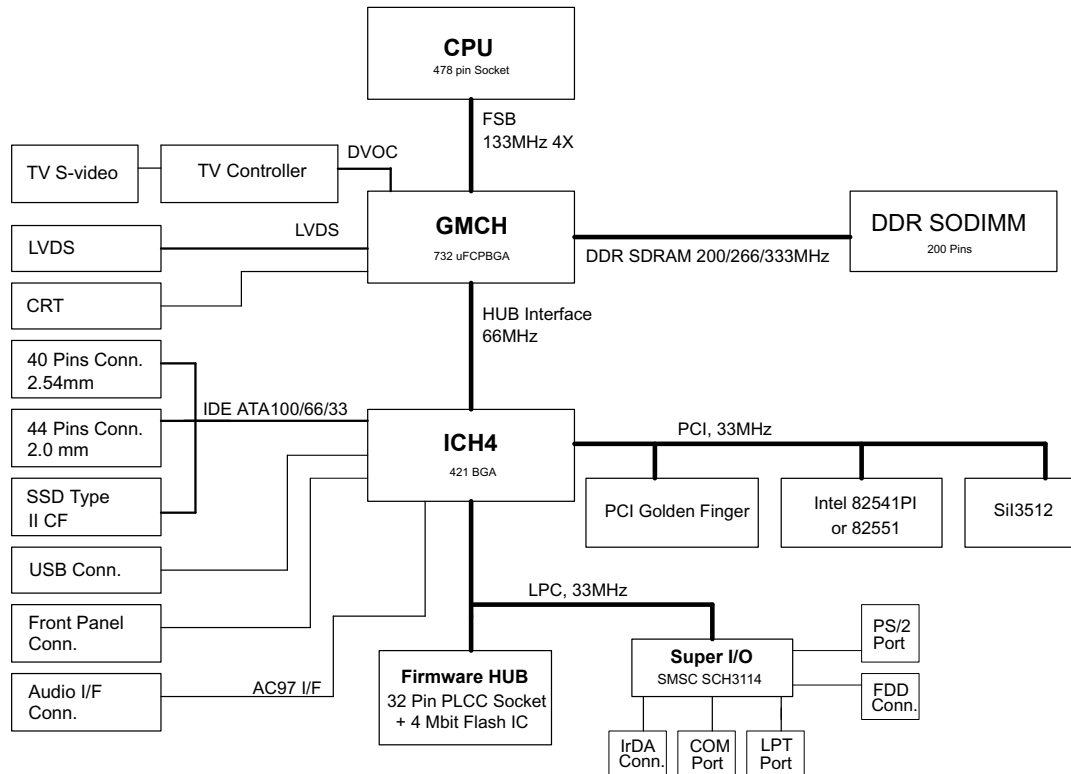
- Embedded Intel® Pentium® 4/Celeron® D/Celeron Processor
- Supports 400/533 MHz Front Side Bus
- Supports 200 MHz, 266 MHz and 333 MHz DDR SDRAM
- Supports up to 1000Base-T Ethernet on board
- Supports up to 2 Channel 36 bits LVDS for LCD
- Supports 4 x USB 2.0 ports
- Supports 2 x SATA ports

- **Chipset** Intel 852GME chip integrated.
- **Memory Size** Optimized Shared Memory Architecture, supports up to 64 MB frame buffer using system memory
- **Resolution** CRT Mode: up to 1920 x 1440 @ 60 Hz
LVDS Mode: up to 1280 x 1024 @ 36bpp, up to UXGA panel resolution with frequency range from 25 MHz to 112 MHz
- **LCD Interface** 2 Channel LVDS (36-bit)
- **LVDS Interface** Hirose connector supports dual channel LVDS panel
- **TV-Out** Supports NTSC and PAL video standard, supports composite, s-video or AV output, graphic resolution up to 1024 x 768 pixels (optional)
- **Dual Independent Display:** CRT + LVDS, LVDS + TV-out, CRT + TV-out, LVDS + LVDS (operate under Windows, Linux)

Mechanical and Environmental

- **Dimension (L x W)** 185 x 122 mm (7.3" x 4.8")
- **Weight** 0.27 kg (weight of total package)
- **Operating Temperature** 0 ~ 60° C (32 ~ 140° F), operation
- **Operating Humidity** 0% ~ 90% relative humidity, non-condensing
- **Power Supply Voltage** +5 V, +5 V STB and +12 V
- **Power Consumption** Max: 7.8 A @ +12 V, 2.4 A @ +5V (w/Pentium 4 3.06 GHz + 1 GB);
Typical: 2.3 A @ +12 V, 2.3 A @ +5 V (w/Pentium 4 3.06 GHz + 1 GB);

Board Diagram



Packing List

- 1 x PCI-6882 SBC
- 1 x Y cable for PS/2 Keyboard, PS/2 Mouse (p/n:1700060202)
- 1 x E-IDE (HDD) Cable (p/n:1701400452)
- 1 x FDD Cable (600 mm) (p/n:1701340603)
- 1 x Parallel port cable (p/n:1700260250)
- 1 x Power Cable (p/n:1700000265)
- 1 x Mini Jumper (p/n:1653302122)
- 1 x Startup Manual
- 1 x Utility CD

Ordering Information

Standard

- **PCI-6882F-00A1** PCI Socket 478 Slot-PC, w/LAN/VGA/LVDS/USB/TV-out/SATA
- **PCI-6882FG-00A1** Same as PCI-6882F-00A1 but with Gigabit Ethernet
- **PCI-6882L-00A1** Same as PCI-6882F-00A1, without SATA

Optional Accessories

- **IPC-644P4-80** Chassis w/PCA-6104P4/80 W power supply
- **IPC-6806P5** Chassis w/PCA-6105P5/100 W power supply
- **PCA-6104P4-0B1** 4-PCI slot passive backplane
- **PCA-6105P5-0B1** 5-PCI slot passive backplane
- **1703100260** USB cable adapter (2.00 mm)
- **CF-HDD-ADP** CompactFlash 50-pin to IDE 44-pin adapter
- **PCM-231A-00A1** Audio module with Line-in, Line-out, Mic
- **1701140201** COM2 cable (2.00 mm)
- **1700001166** COM3 & COM4 cable with bracket (2.00 mm)