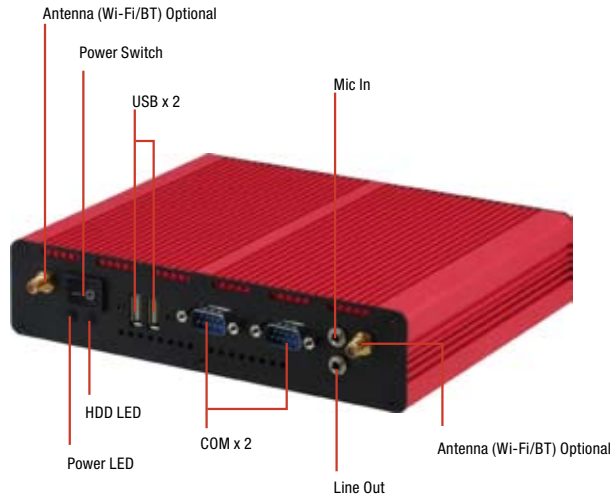


TKS-E21-HD07

Fanless Embedded Box for EPIC-HD07

Front View



Rear View



Features

- Dual Core AMD G-series T56N/T40N Processor
- Excellent Graphic Performance
- DDR3 1066/1333MHz Up to 4GB
- Realtek Gigabit Ethernet x 2, Mini Card x 1, mSATA x 1
- Low Profile 1U Height and The Weight Less Than 1.7Kg
- Easy Reconfiguration System
- Fanless and Operation Temp. Support -20°C ~ 60°C
- Anti-Vibration Up to 3.5G (mSATA)



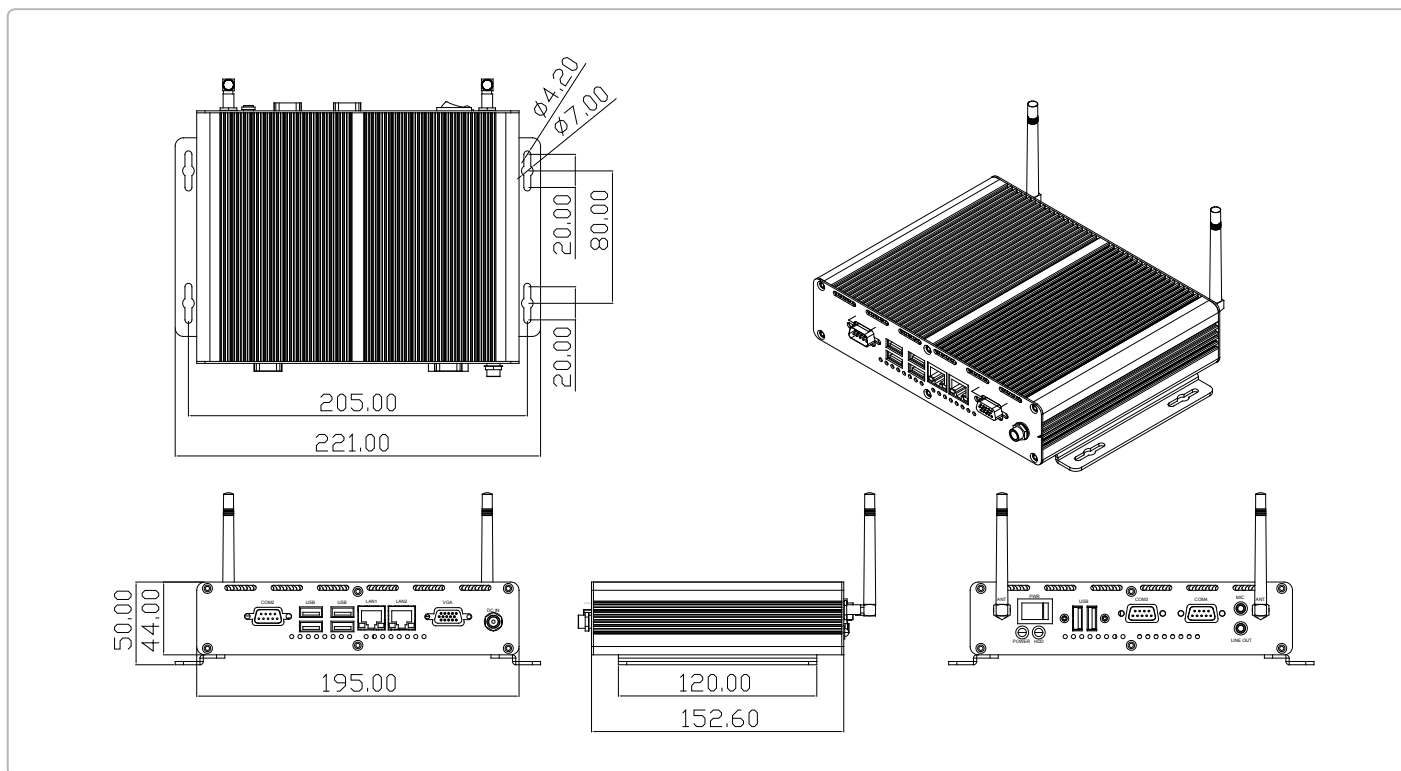
Specifications

CPU	AMD® G-Series T56N/T40N processor	
Chipset	AMD® A55E	
System Memory	DDR3 1066/1333 SDRAM SODIMM x 1, Max.4GB	
Display Interface	VGA	DB-15 x 1
	DVI	(Optional)
	HDMI	—
	Others	—
Storage Device	SSD	mSATA x 1
	HDD	2.5" SATA HDD bay x 1
Network	LAN	Gigabit Ethernet, RJ-45 x 2
	Wireless	Optional by Mini Card
Front I/O	USB Host	USB2.0 x 2
	LAN	—
	Serial Port	RS-232 x 2
	DIO	—
	Audio	Mic in/Line out
	KB/MS	—
	Others	Power On/Off Switch x 1, antenna hole x 2
Rear I/O	USB Host	USB2.0 x 4
	LAN	Gigabit Ethernet, RJ-45 x 2
	Serial Port	RS-232/422/485 x 1 (COM2)
	DIO	—
	Audio	—
	KB/MS	—
Others	Power input x 1, VGA x 1	
Expansion	PCIe	—
	PCI	—
	Mini Card	1
	Mini PCI	—
Others	mSATA x 1	
Indicator	Front	Power LED x 1, Hard Disk Drive active LED x 1
	Rear	—
Power Requirement	DC-in 12V, with DC jack, lockable	
Power Consumption	19.56W	
System Cooling	Passive	
Mounting	Wallmount	
Operating Temperature	-4°F ~ 140°F(-20°C ~ 60°C) for industry HDD/mSATA	
	32°F ~ 122°F(0°C ~ 50°C) for standard HDD/mSATA	
Storage Temperature	-20°C ~ 70°C (-4°F ~ 158°F)	
Anti-Vibration	0.5g rms/5 ~ 500Hz/operation – HDD	
	3.5g rms / 5~ 500Hz / operation – mSATA	
Anti-Shock	10 G peak acceleration (11 msec. duration) – HDD	
	20 G peak acceleration (11 msec. duration) – mSATA	
MTBF (Hours)	61,000 Hours (Not include power adapter)	
Certification	EMC	CE /FCC Class A
	Safety	—
Dimension (W x H x D)	7.68" x 6.01" x 1.73" (195mm x 152.6mm x 44mm)	
Gross Weight	3.74 lb (1.7Kg)	
Note	Windows® XP Embedded, Windows® XP, Windows® 7, Linux Fedora	

TKS-E21-HD07

Dimension

Unit: mm



Ordering Information

Part Number	CPU	RAM	Cooler	Storage	Display Combination	LAN	USB	RS-232	RS-232/422/485	Expansion Slot	Mounting	Power
TKS-E21-HD07-MS-T56N-A10	T56N	SODIMM	Fanless	SATA x 1 mSATA x 1	CRT	2	6	2	1	Mini Card x1	Wallmount	60W Power adapter
TKS-E21-HD07-MS-T40N-A10	T40N	SODIMM	Fanless	SATA x 1 mSATA x 1	CRT	2	6	2	1	Mini Card x 1	Wallmount	60W Power adapter
TKS-E21-HD07-HD-T56N-A10	T56N	SODIMM	Fanless	2.5" SATA HDD x 1 mSATA x 1	CRT	2	6	2	1	Mini Card x 1	Wallmount	60W Power adapter
TKS-E21-HD07-HD-T40N-A10	T40N	SODIMM	Fanless	2.5" SATA HDD x 1 mSATA x 1	CRT	2	6	2	1	Mini Card x 1	Wallmount	60W Power adapter

Packing List

- 60W Power Adapter
- Wallmount kit
- Product CD
- TKS-E21-HD07

Optional Accessories

- **1702031802**
Power Cord (US Type)
- **1702031803**
Power Cord (European Type)
- **170203180E**
Power Cord (Japanese Type)