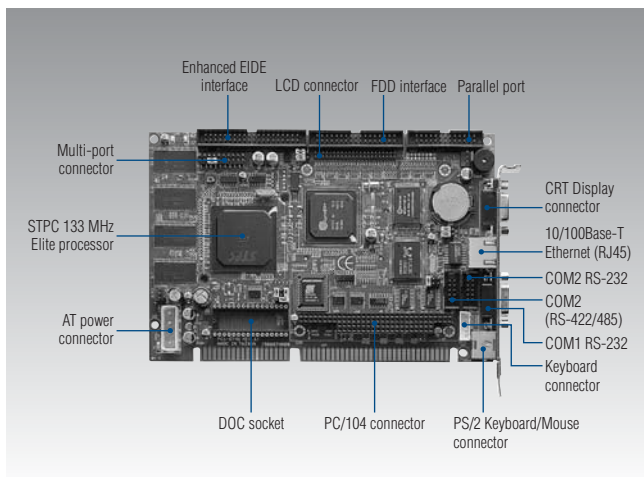


PCA-6740

ISA Elite Slot SBC, 133MHz CPU/32MB/
VGA/LCD/LAN/DOC and PC/104



CE FCC

Specifications

- **CPU** On board low power STPC Elite 133 MHz
- **System Memory** On board 32 MB SDRAM (optional SDRAM SODIMM x 1, Max. 64 MB)
- **System Chipset** STPC Elite embedded
- **BIOS** AWARD 256KB Flash BIOS
- **SSD** DiskOnChip® 2000 (optional CompactFlash™ card)
- **Watchdog Timer** 1 ~ 62 Sec, System reset or IRQ11
- **Expansion Interface** 1 x 16-bit ISA slot, 1x PC/104 connector
- **Battery** Lithium 3V/196 mAH

I/O

- **MIO** 1 x EIDE (PIO Mode 4), 1 x FDD, 1 x K/B, 1 x Mouse, 1 x RS-232/422/485 (PCA-6740F-OCA2 only), 1 x RS-232, 1 x LPT
- **IrDA** 115Kbps SIR, IrDA 1.0 compliant
- **Ethernet** 10/100 BASE-T (PCA-6740F-OCA2 only), on-board RJ45 connector

Ethernet

- **Chipset** RTL 8139C
- **Ethernet Interface** IEEE 802.3u
- **Connection** On-board RJ-45 I/O address swithless setting
Built-in boot ROM

Features

- Low power fanless STPC Elite 133
- On board 32 MB SDRAM
- 10/100 BASE-T Ethernet
- Supports DiskOnChip® 2000 SSD Solution
- Superior low power consumption, requires no CPU cooling fan

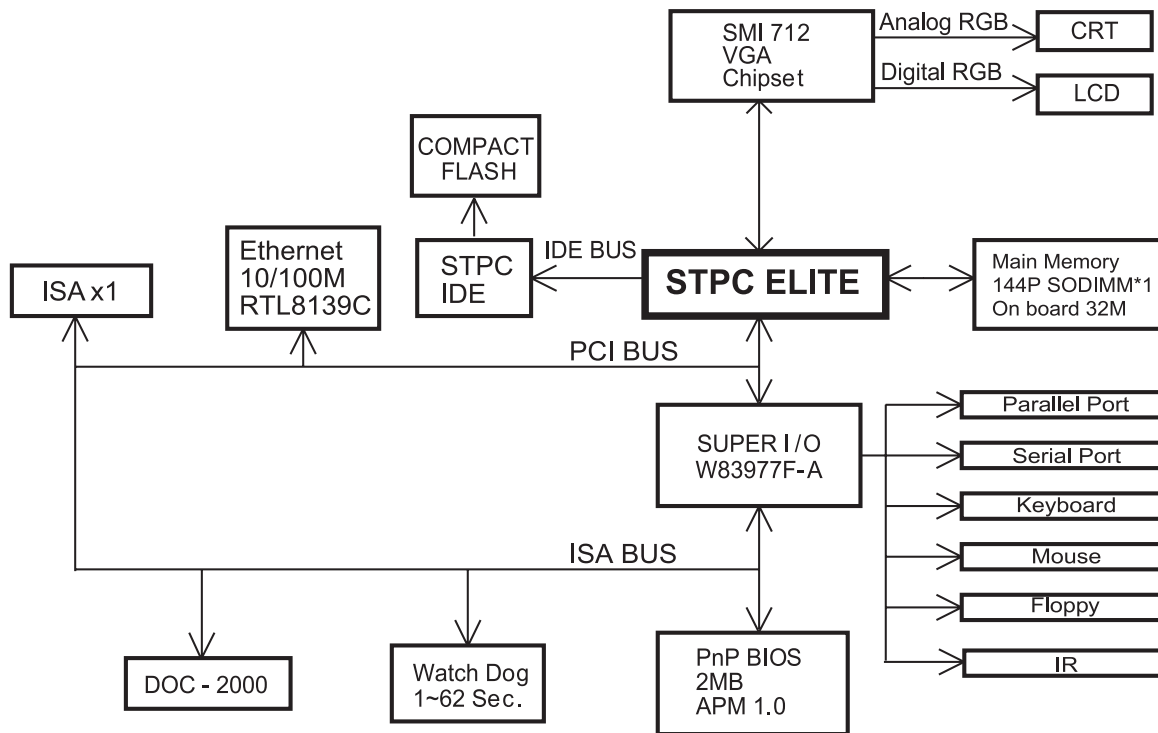
Display

- **Chipset** SMI Lynx 712
- **Memory Size** 2 MB
- **Resolution** CRT mode: 1280 x 1024 @ 16 bpp (60 Hz),
1024 x 768 @ 16 bpp, 800 x 600 @ 16 bpp
LCD mode: 1280 x 1024 @ 16 bpp (60 Hz)
1024 x 768 @ 16 bpp, 800 x 600 @ 16 bpp
- **LCD interface** Up to 36-bit TTL for TFT LCD

Mechanical and Environmental

- **Dimensions (L xW)** 185 x 122 mm (7.3" x 4.8")
- **Power Supply Voltage** +5 V ± 5%
- **Power Requirements** Max : 5 V @ 2 A
Typical : 5 V @ 1.62 A
- **Operating Temperature** 0~60° C (32~140° F), operation
- **Operating Humidity** 0%~90% relative humidity, non-condensing

Board Diagram



- 1 System on Module Solutions
- 2 Single Board Computers and Accessories
- 3 PC/104 Modules
- 4 Slot CPU Cards and Accessories
- 5 AIMB/POS Control Boards
- 6 Internet Security Platforms
- 7 Embedded Software
- 8 Appx

Packing List

- PCA-6740 SBC
- Y cable for PS/2 Keyboard, PS/2 Mouse (p/n:170006020)
- E-IDE (HDD) Cable (600mm) (p/n:1701400601)
- FDD Cable (290mm) (p/n:1701340700)
- COM2 & Parallel port cable kit (p/n:1701260303)
- Mini Jumper (p/n:1653300100)
- Startup manual
- Utility CD

Ordering Information

- PCA-6740F-OCA2 ISA Elite Slot SBC. 133/32MB/VGA /LCD/Fast Ethernet/DOC/PC104
- PCA-6740L-OCA2 ISA Elite Slot SBC. 133/32MB/VGA/LCD/DOC

Optional accessories

- MBPC-641 4-slot IPC chassis w/backplane & 65W power supply
- IPC-644-80 4-slot IPC chassis w/backplane& 80W power supply
- IPC-6806S 6-slot IPC chassis w/backplane & 100W power supply
- PCA-6114-B 14-slot ISA passive backplane
- PCA-6108-OB1 8-slot ISA passive backplane
- PCA-6106-B 6-slot ISA passive backplane
- PCA-6104-OC1 4-slot ISA passive backplane
- 9689000042 IrDA adapter
- CF-HDD-ADP CompactFlash™ 50-pin to IDE 44-pin adapter