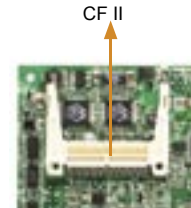
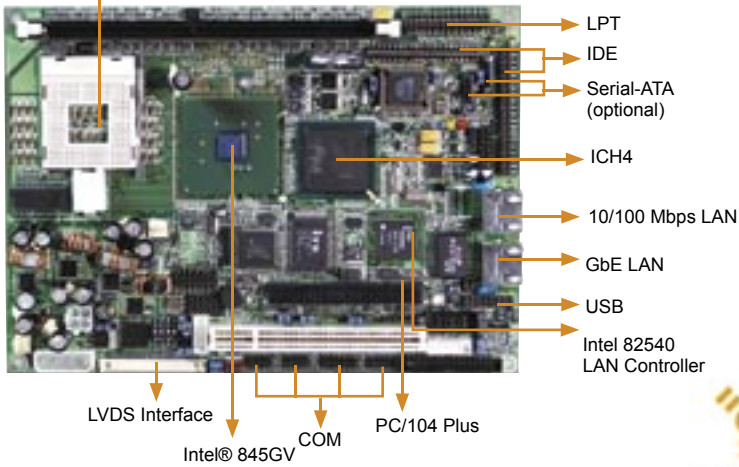


NOVA-8890

5.25" Socket 478 533MHz FSB CPU Board with LCD/ CRT VGA, LAN, GbE, S-ATA, 1394, USB 2.0

Celeron D Version coming soon !!

Supports Intel Pentium® 4/
Celeron up to 533 MHz FSB



Rear side

Long Term Supports



Specifications

CPU	Socket-478 base support Intel® Pentium 4-M & Pentium® 4/ Celeron up to 533 MHz FSB
System Chipset	Intel 845GV + ICH4 (support Hyper-Threading Technology)
System Memory	1 x DDR 266/333 DDR SDRAM socket up to 1GB
Display	VGA chip: Integrated in 845GV chipset – LCD controller: NS DS90C2501 supports up to 1400x1050 resolution, 24/48-bit TFT LCD – V-RAM: shared with system memory (DVM technology) – CRT Resolution: Supports up to 2048x1536 36-bit color display – Connector: DF14-30F for 36-bit Dual channel LVDS, DB-15 for CRT display
Ethernet	1st 10/100Mbps i82562ET Fast Ethernet controller (NOVA-8890M) 2nd 82540 GbE controller (NOVA-8890MSFG)
SSD	One Compact Flash Type II socket
IEEE-1394	2 x IEEE-1394a 400Mbps by pin-header (NOVA-8890MSFG)
I/O	– 3 x RS-232 – 1 x RS-232/422/485 selectable port – 4 x USB 2.0 – 1 x LPT – 1 x FDD channel support 1.44/ 2.88MB and 3-mode – 2 x ATA-100 IDE channel (1 x 40-pin, 1 x 44-pin) – 2 x Serial-ATA parallel to serial (NOVA-8890MSFG)
Audio	AC' 97 Codec
Digital I/O	TTL Level, 4 inputs and 4 outputs
WDT	Software programmable support 1~255 second system reset
Expansion slot	1 x PCI slot, 1 x PC104+ (Only PCI)
Hardware monitoring	Provides CPU Vcore, Vcc, CPU/ System fan speed and temperature detecting function.
Power Consumption	+5V@ 4.2A ; +12V@4.85A (P4 2.4 GHz/ DDR266 512MB SDRAM)+5V@ 3.9A ; +12V@4A (P4-M 2.4 GHz/ DDR266 512MB SDRAM)
Operating Temperature	0~60°C
Relative Humidity	5~95%, non-condensing

Feature

- Intel P4/Celeron with HT support.
- CRT/LCD integrated in i845GV, support 48-bit LVDS
- 1x DDR 333 support up to 1GB
- Support PCI and PC104+ (PCI only)
- CFII, Dual LAN(MSFG), USB2.0, Multi-COM, Audio, SATA integrated

Ordering Information

- **NOVA-8890M** 5.25" Socket 478 533MHz FSB CPU Board with LCD/ CRT VGA, LAN, USB 2.0
- **NOVA-8890MSFG** 5.25" Socket 478 533MHz FSB CPU Board with LCD/ CRT VGA, LAN, GbE, S-ATA, 1394, USB 2.0

Option

- **CF-512** CPU cooling fan Supports P4 CPU up to 2.5GHz
- **CF-513** CPU cooling fan Supports P4 CPU up to 3.06GHz
- **CF-515** Skiving CPU cooling fan support P4-M CPU up to 2.6 GHz