

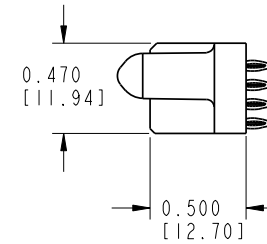
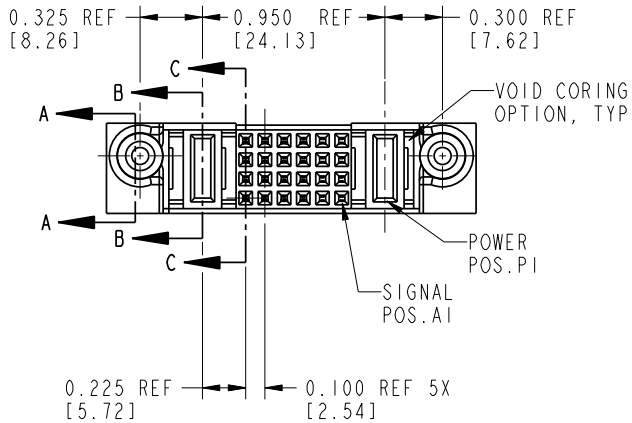
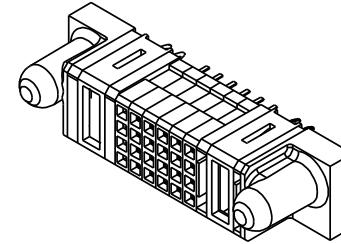
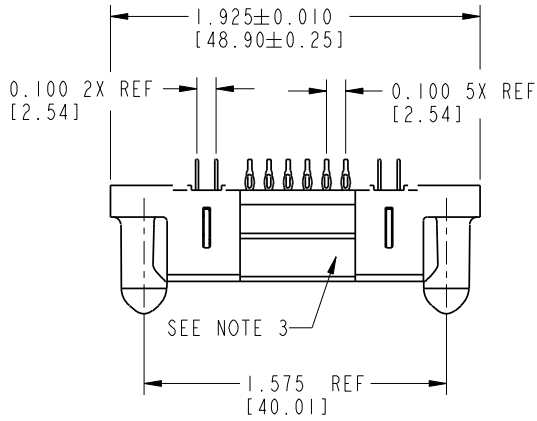
Tous droits strictement réservés. Reproduction ou communication a des tiers interdite sous quelque forme que ce soit sans autorisation écrite du propriétaire. Propriété de c FCI. Droits de reproduction FCI.

All rights strictly reserved. Reproduction or issue to third parties in any form whatever is not permitted without written authority from the proprietor. Property of FCI. Copyright FCI.

FCI

PRODUCT NUMBER

51666-001--
Note: ②



mat'l code				NOTE 1		tolerances unless otherwise specified		CUSTOMER	
lir	ecn no.	dr	date	linear	.XX±.01/0.X±0.3	COPY		 www.fciconnect.com	
A	V91433	CHB	06-29-99	projection	.XXX±.005/0.XX±0.13			title IP + 24S + IP	
B	V00795	EKK	03-27-00	angles	.XXX±.0020/.XXX±.051			VERTICAL PRESSFIT RECEPTACLE	
C	V01861	EKK	06-26-00	dr	0°±2°			product family PWRBLADE code 213	
D	DG05-0171	GuoJM	06/19/05	enrg	C. BAROT 06-29-99			size dwg no 51666 sheet 1 of 4	
E	DG05-0390	GuoJM	10/14/05	chr	J. BROWN 06-29-99				
				oppd	J. BROWN 06-29-99				
sheet index	revision sheet	E 1	E 2	E 3	E 4				

Pro/E

PDM: Rev: E

STAT: US: Released

Printed: Dec 13, 2005

Tous droits strictement réservés. Reproduction ou communication o des tiers interdite sous quelque forme que ce soit sans autorisation écrite du propriétaire. Propriete de c FCI. Droits de reproduction FCI.

FCI

All rights strictly reserved. Reproduction or issue to third parties in any form whatever is not permitted without written authority from the proprietor. Property of FCI. Copyright FCI.

B

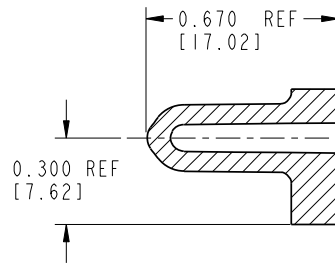
PRODUCT NUMBER

51666-001
NOTE: ②

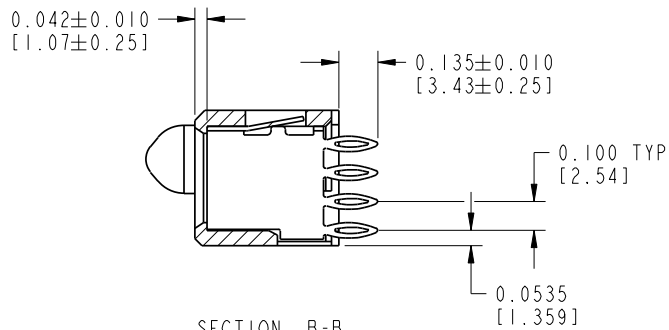
1 | 2

3 |

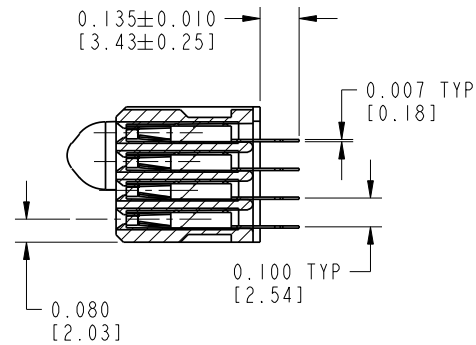
4



SECTION A-A
SCALE 3:2



SECTION B-B



SECTION C-C
SCALE 3:2

mat'l code		tolerances unless otherwise specified		CUSTOMER		 www.fciconnect.com	
lir	ecn no.	dr	date	linear	.XX±.01/0.X±0.3	COPY	
E				projection	.XXX±.005/0.XX±0.13		
				angles	.XXX±.0020/.XXX±.051		
				dr	0°±2°	product family PWRBLADE	
				enr	C. BAROT 06-29-99	code 213	
				chr	J. BROWN 06-29-99	sheet 2	
				appd	J. BROWN 06-29-99	size 51666	
sheet index	revision sheet			scale	3:2	code code 51666	

1 | 2

Pro/E

PDM: Rev: E

STAT: Released

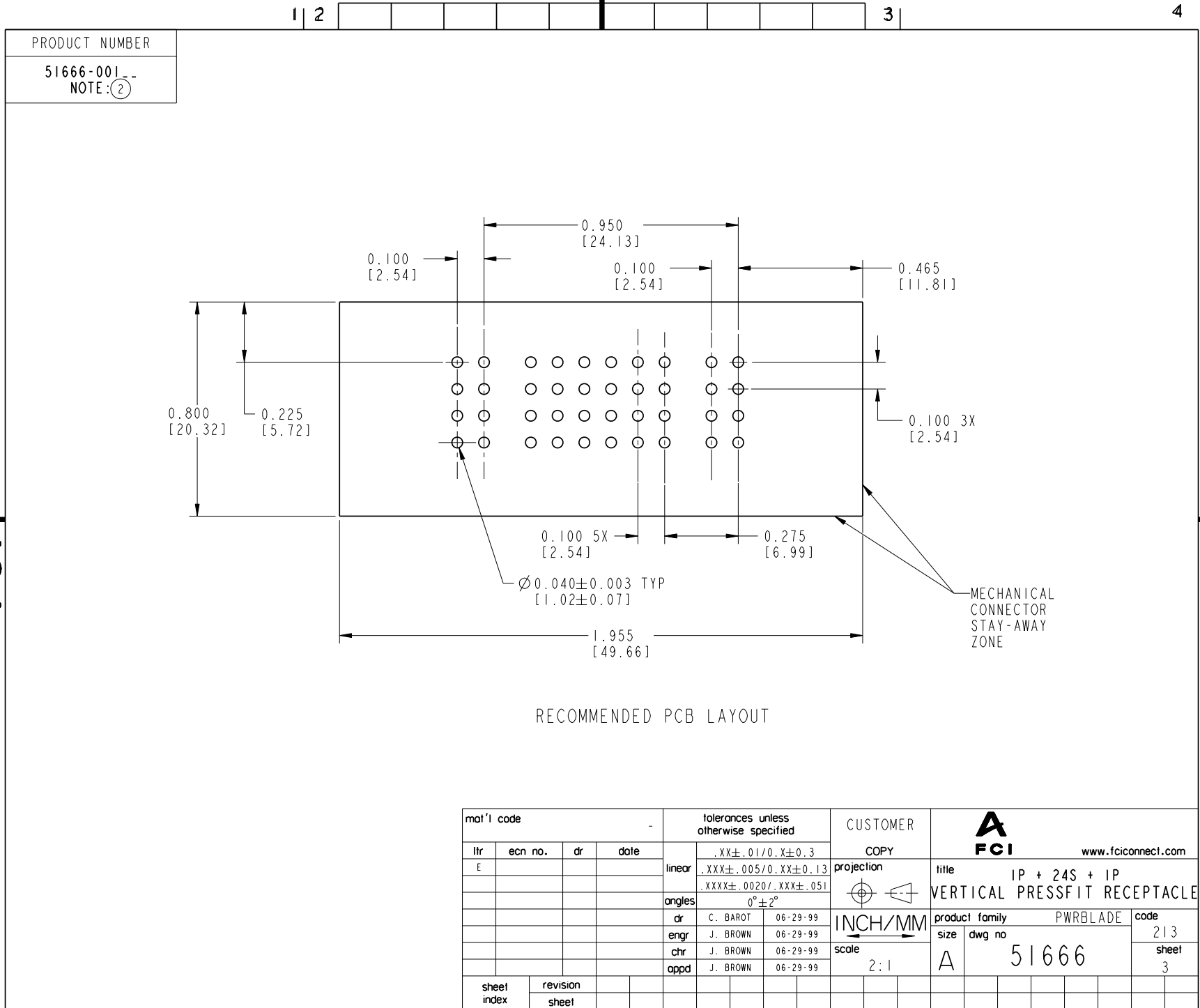
Printed: Dec 13, 2005

B

Tous droits strictement réservés. Reproduction ou communication o des liers interdite sous quelque forme que ce soit sans autorisation écrite du propriétaire. Propriété de c FCI. Droits de reproduction FCI.

All rights strictly reserved. Reproduction or issue to third parties in any form whatever is not permitted without written authority from the proprietor. Property of FCI. Copyright FCI.

A
FCI



RECOMMENDED PCB LAYOUT

mat'l code		tolerances unless otherwise specified		CUSTOMER		A FCI		www.fciconnect.com	
lfr	ecn no.	dr	date	linear	.XX±.01/0.X±0.3	COPY		title	
E				linear	.XXX±.005/0.XX±0.13	projection		IP + 24S + IP	
				linear	.XXX±.0020/.XX±.051	INCH/MM		VERTICAL PRESSFIT RECEPTACLE	
				angles	0°±2°	scale		product family	
				dr	C. BAROT 06-29-99	2:1		PWRBLADE	
				enrg	J. BROWN 06-29-99	A		code	
				chr	J. BROWN 06-29-99	size		213	
				appd	J. BROWN 06-29-99	dwg no		sheet	
						A		3	
sheet index		revision sheet				51666			

A

A

B

B

