



GAI-TRONICS® CORPORATION
A HUBBELL COMPANY

7335-001 Multi-Party Weatherproof Non-Metallic 120 V AC Amplifier Enclosure

General Information

This data sheet applies to the GAI-Tronics 7335-001 Multi-Party Weatherproof Non-Metallic 115 V AC Amplifier Enclosure.

This enclosure is intended for 120 V ac input within a 700 Series Page/Party® system. It can accommodate conversations on up to five party lines simultaneously. The enclosure is constructed of glass-reinforced polyester, making it extremely weatherproof and corrosion-resistant. It is equipped with terminal strips for connecting system cable. The 701 and 751 Series amplifiers mate directly with this enclosure.

Specifications

7335-001 Multi-Party Weatherproof Non-metallic 120 V AC Amplifier Enclosure

Construction/Finish.....	Glass-reinforced polyester, J-hook latch, hinged door with gasket
Mounting.....	Wall, column, or pole (mounting kit required for pole mount), four 7/16-inch mounting holes
Connections.....	Internal screw-type barrier terminal blocks
Dimensions	14.6 H × 10.9 W × 10.5 D inches (371 × 276 × 267 mm)
Shipping weight	9.6 lbs. (4.4 kg)
Approvals.....	NRTL Listed for USA and Canada:..... Class I, Div. 2, Groups A, B, C, D Class II, Div. 2, Groups F and G; Class III, Div. 2
Outdoor environmental rating:.....	Type 3R; Type 4X with door closed when used with Listed 700 series amplifier

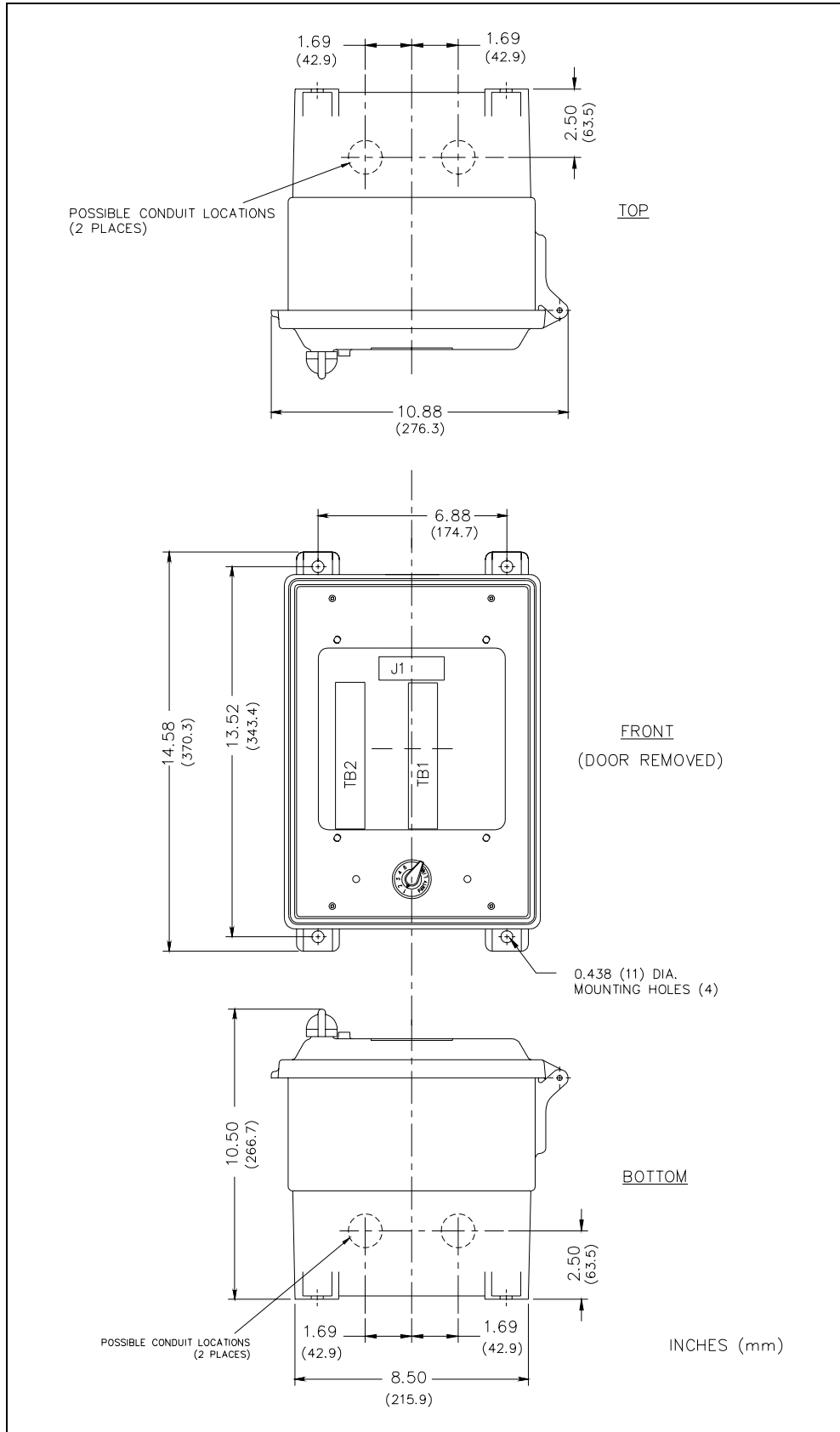


Figure 1. 7335-001 Multi-Party Weatherproof Non-Metallic 120 V AC Amplifier Enclosure