

## Screw Terminal Ultra-Slim Signal Conditioners M6N Series

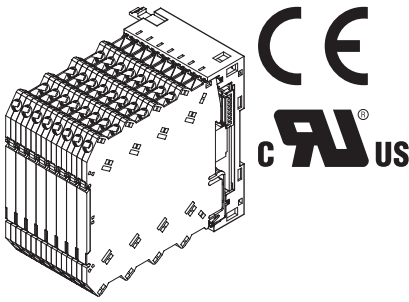
specification sheets.)

Isolation: Power to ground

### INSTALLATION BASE

#### Functions & Features

- Backplane to collectively supply power to the M6N modules in combination with the Power Supply Module (model: M6NPSx or M6-PSM)
- UL approval



### MODEL: M6NBS-[1][2]

#### ORDERING INFORMATION

- Code number: M6NBS-[1][2]
- Specify a code from below for [1] and [2].  
(e.g. M6NBS-08/UL)

#### [1] NUMBER OF SLOTS

- 08:** 8 slots
- 08P:** 8 slots (for extension)
- 08A:** 8 slots + power supply slot (for model M6-PSM)  
(UL not available)

#### [2] OPTIONS

##### STANDARDS & APPROVALS

- blank:** CE marking
- /UL:** UL approval (CE marking)

#### RELATED PRODUCTS

- M6N series signal conditioners (Not able to supply to AC power signal conditioners (M2 code))
- Power supply module (model: M6NPS1)
- Power supply module (model: M6NPS2)
- Power supply module (model: M6-PSM)
- Blank filler module (model: M6NDM)

#### GENERAL SPECIFICATIONS

**Capacity:** Up to 48 modules with Extension Bases (The usable number of signal conditioners depends on the capacity of the power supply module. Refer to the M6-PSM

#### INSTALLATION

**Operating temperature:** -20 to +55°C (-4 to +131°F)

**Operating humidity:** 30 to 90 %RH (non-condensing)

**Atmosphere:** No corrosive gas or heavy dust

**Mounting:** Surface or DIN rail

**Weight:**

M6NBS-08, -08P: 50 g (1.8 oz) without signal conditioners

M6NBS-08A: 80 g (2.8 oz) without signal conditioners

#### PERFORMANCE

**Insulation resistance:**  $\geq 100 \text{ M}\Omega$  with 500 V DC

**Dielectric strength:** 2000 V AC @1 minute (power to ground)

#### STANDARDS & APPROVALS

**CE conformity:**

EMC Directive (2004/108/EC)

EN 61000-6-4 (EMI)

EN 61000-6-2 (EMS)

**Approval:**

- UL/C-UL nonincendive Class I, Division 2, Groups A, B, C, and D hazardous locations (ANSI/ISA-12.12.01, CAN/CSA-C22.2 No.213)
- UL/C-UL general safety requirements (UL 61010-1, CAN/CSA-C22.2 No.61010-1)

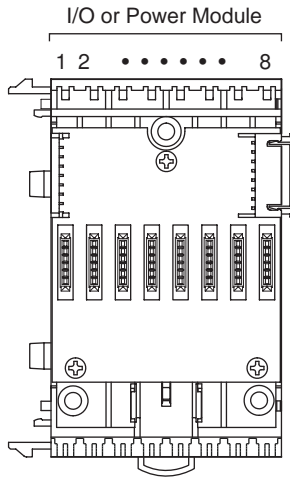
## EXTERNAL VIEW

Install signal conditioners from the slot at either end.

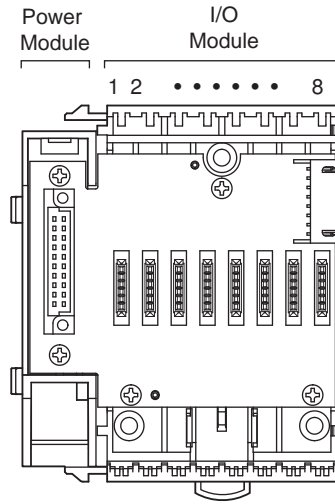
Power Supply Modules (M6NPS1 or M6NPS2) could be mounted at any slots, however, installing them at either end is generally recommended.

Mount the power supply module (M6-PSM) on the power supply slot of M6NBS-08A.

■ M6NBS-08, M6NBS-08P

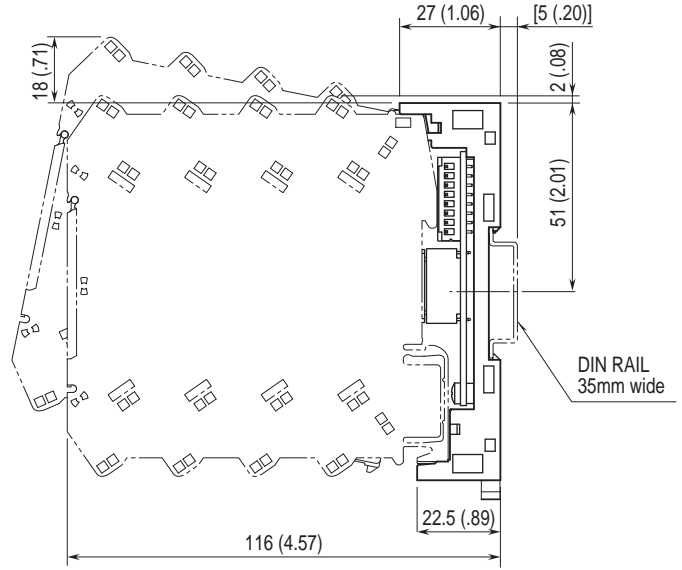
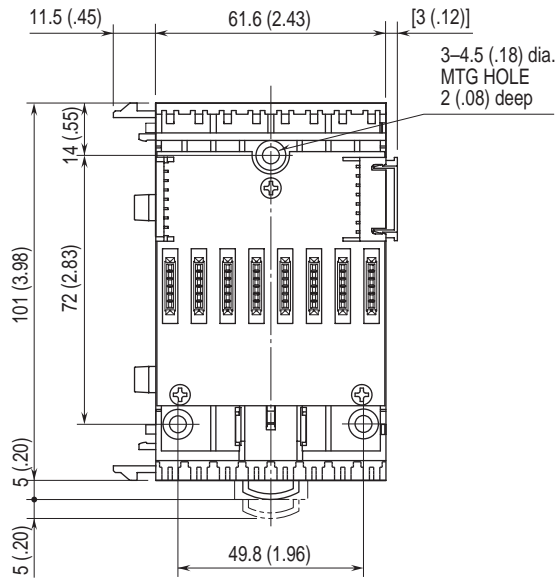


■ M6NBS-08A

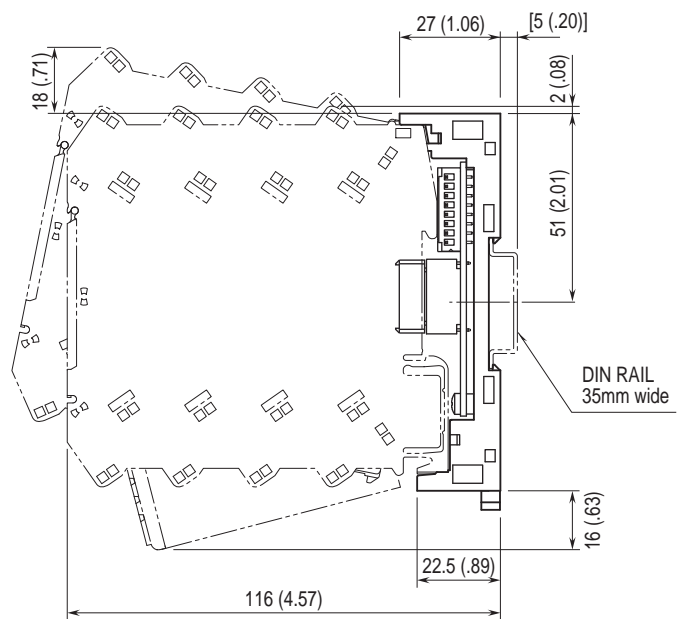
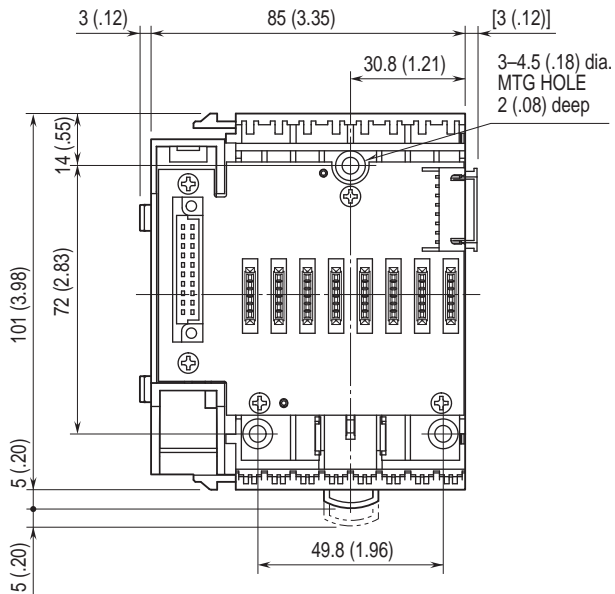


## DIMENSIONS unit: mm (inch)

### ■ M6NBS-08, M6NBS-08P



### ■ M6NBS-08A

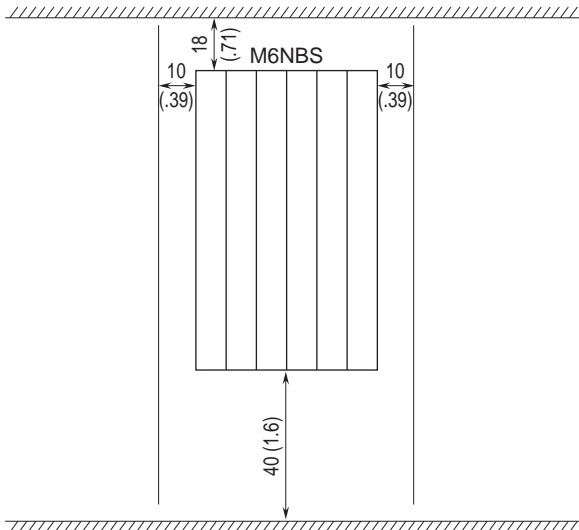


## MOUNTING REQUIREMENTS unit: mm (inch)

### ■ MOUNTING DIRECTION

The unit must be mounted on a vertical panel. Mounting in any other angle will cause internal temperature to rise, may shorten the product's life expectation or deteriorate its performance.

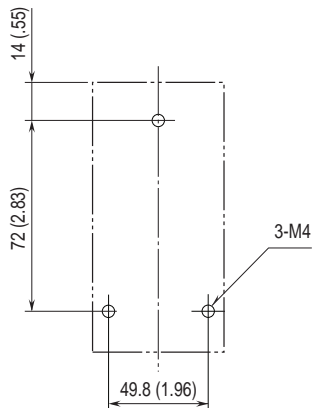
Panel ceiling or wiring conduit (height ≤50 mm or 2 in.)



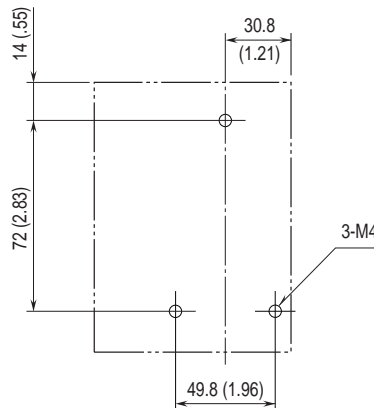
Panel bottom or wiring conduit (height ≤50 mm or 2 in.)

### ■ SURFACE MOUNTING

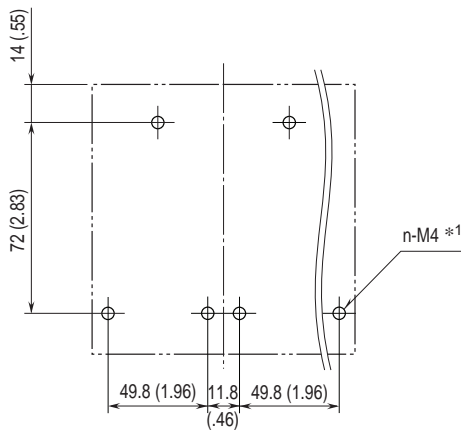
• M6NBS-08



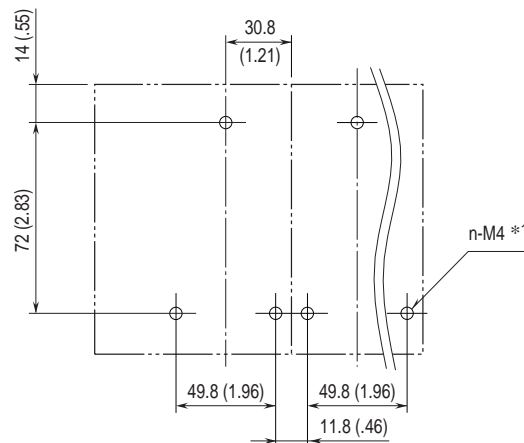
• M6NBS-08A



• M6NBS-08 + M6NBS-08P



• M6NBS-08A + M6NBS-08P



\*1. n = (Number of bases) x 3



Specifications are subject to change without notice.