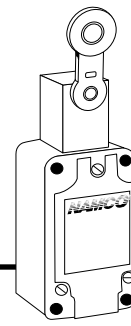


Compact Body
Standard Environment
Butt Contacts

Limit Switches



Limit Switches

- Small Size
- Rotatable Head
- Light Operating Force
- Compact Durable Housing
- SPDT; Positive Opening in event of Minor Contact Welding

The new Namco Snap-Lock® EA530 Series limit switches are intended for reliable sensing performance in rugged industrial environments. They have a compact 30mm x 60mm mounting footprint and trip force of 40 in • oz., making them ideal for lighter force applications. These compact limit switches have a die cast zinc housing with epoxy paint and positive-acting contacts. They are NEMA A300 AC and Q300 DC rated and UL and CSA listed.

A variety of actuator styles are available, including top roller plunger and rotary roller lever. The switch heads are rotatable by 90° increments to allow for four positions of operation. Action can be changed from momentary clockwise and counterclockwise to momentary clockwise only or momentary counterclockwise only by setting the head internally.

EA530 Single Pole 1 N.O. - 1 N.C. / Butt Contacts

Model Number	Type	A Trip Travel	B Reset Travel	C Recommended Travel	D Total Travel	Operating Force
STANDARD TRAVEL/COMPACT						
EA530-14700	Plunger	.130"	.053"	.169"	.197"	33 oz.
EA530-15701	Roller Plunger	.102"	.053"	.141"	.197"	33 oz.
EA530-17702	Lever	35°	17°	48.5°	75°	40 in oz.

EA530 DPDT 2 N.O. - 2 N.C. / Butt Contacts

Model Number	Type	A Trip Travel	B Reset Travel	C Recommended Travel	D Total Travel	Operating Force
STANDARD TRAVEL/COMPACT						
EA530-47702	Lever	25°	10°	48.5°	75°	40 in oz.

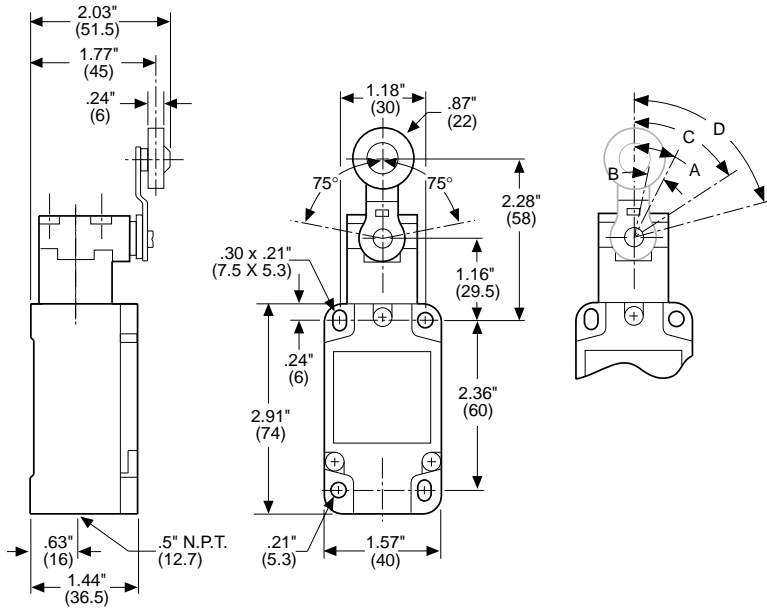
Common Switch Characteristics

SINGLE POLE, STANDARD ENVIRONMENT, COMPACT BODY, BUTT CONTACTS	
NEMA Enclosure Type	Designed to meet 1, 2, 4, 12 & 13 (IP66)
Ambient Temperature Range	-25°C to +80°C
Rotatable Head	yes
Light Operating Force	yes
UL/CSA	yes

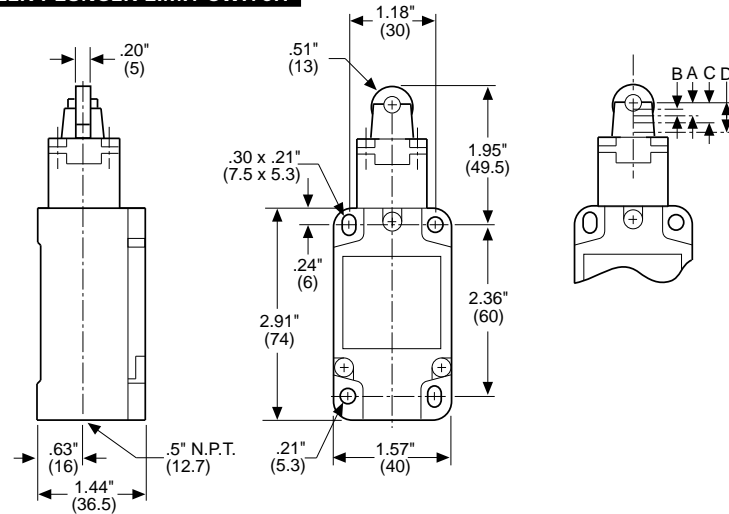
Dimensions and Mounting

EA530

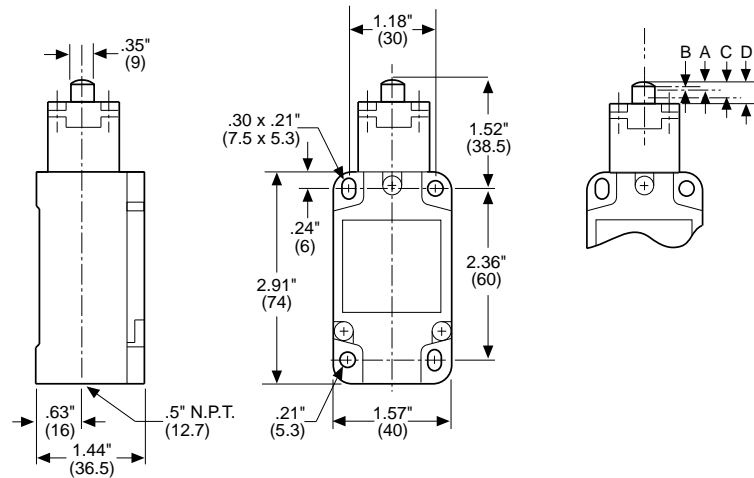
LEVER LIMIT SWITCH



ROLLER PLUNGER LIMIT SWITCH



PLUNGER LIMIT SWITCH



Dimensions: inches/(mm)

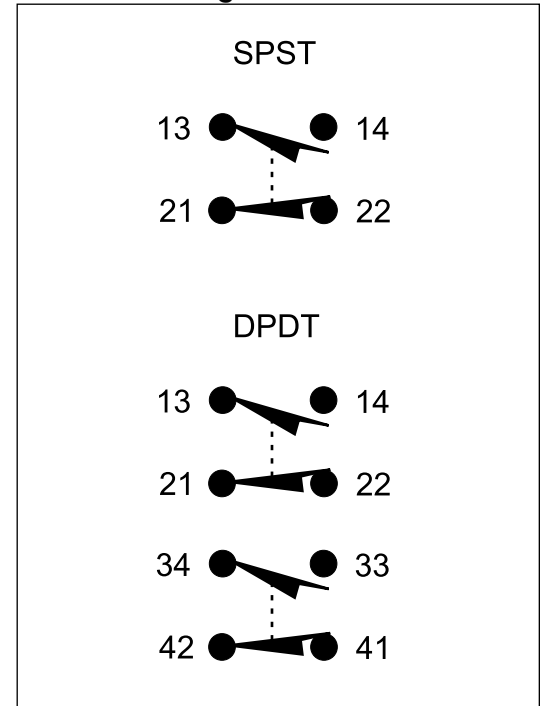
Continuous Current Rating - Amperes

AC 50/60 Hz NEMA A300				
AC	Make	Break	Continuous	Voltamperes
120V	60A	6A	10A	7200 (make) 720 (break)
240V	30A	3A		
480V	15A	1.5A		
480V	15A	1.5A		
600V	12A	1.2A		

DC NEMA Q300			
DC	Make or Break	Continuous	Voltamperes
125V	.55A	N/A	69
250V	.27A	N/A	69
300V to 600V	12A	1.2A	N/A

Limit Switches

Contact Configurations



NAMCO

2013 West Meeting Street • Lancaster, SC 29720
1-803-286-8491 • FAX: 1-800-678-6263
www.namcocontrols.com

For technical assistance, call 1-800-NAMTECH