

INPUT CHARACTERISTICS:**MR2-6200/6250P**

- VOLTAGE: 90 ~ 264 VAC FULL RANGE
- FREQUENCY : 47 ~ 63 Hz
- INPUT CURRENT: 6.0 / 3.0 A FOR 115 / 230 VAC
- INRUSH CURRENT: 50A / 70A MAX. FOR 115 / 230 VAC PER POWER MODULE

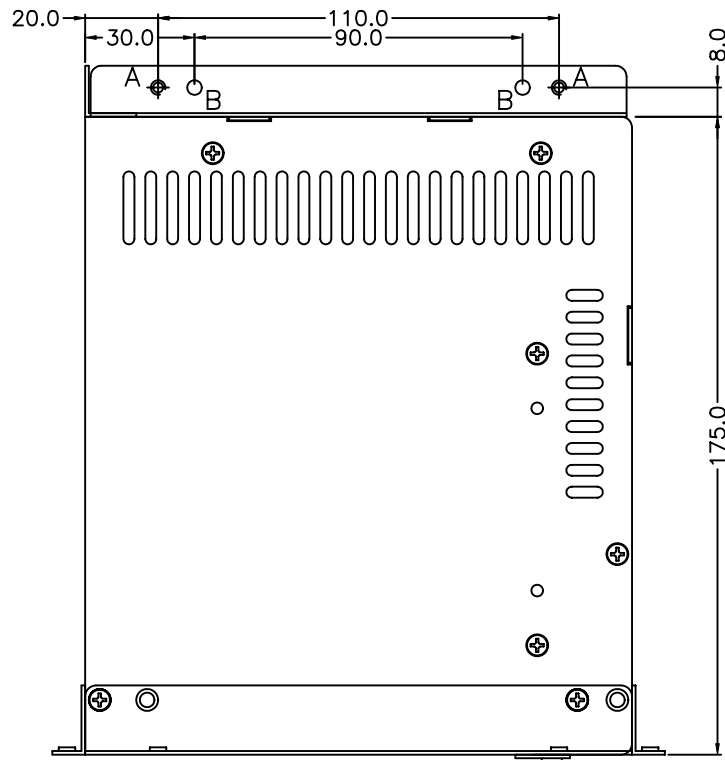
OUTPUT CHARACTERISTICS:

OUTPUT VOLTAGE	OUTPUT CURRENT			REGULATION		OUTPUT
	MIN.[A]	MAX.[A]	PEAK(A)	LOAD	LINE	RIPPLE & NOISE MAX. [P-P]
5V	3.0	25		± 5%	± 1%	50mV
12V	2	14	20	± 7%	± 1%	120mV
-5V	0.05	0.5		±10%	± 1%	150mV
-12V	0.05	0.5		±10%	± 1%	150mV
3.3V	1.0	10		± 5%	± 1%	50mV
+5VSB	0.1	1.5		± 5%	± 1%	50mV

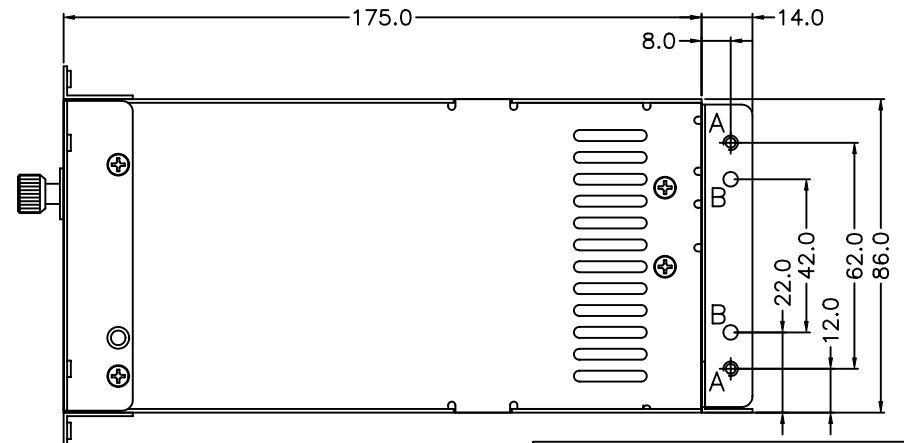
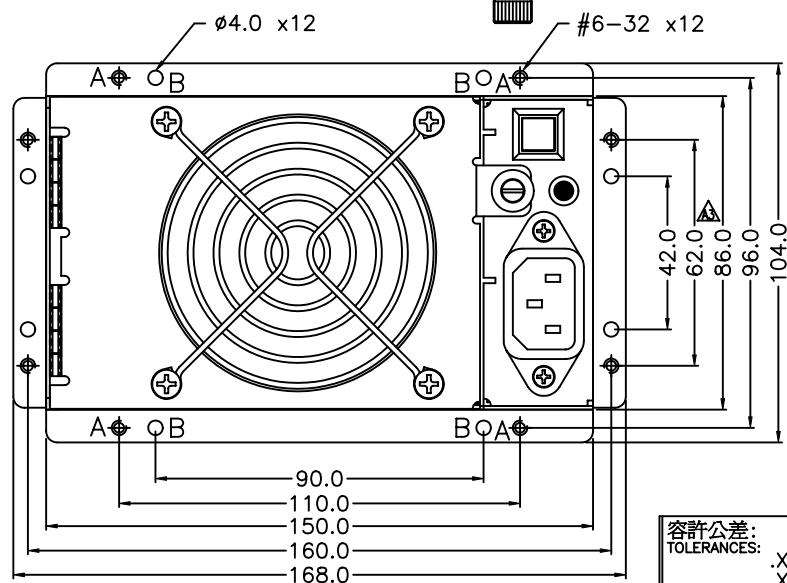
REMARKS: TOTAL CURRENT OF +5V AND + 3.3V NOT EXCEED 25 A

- TEMPERATURE RANGE : OPERATING 0⁰C --- 40⁰C, STORAGE -20⁰C --- 70⁰C
- HOLD UP TIME: 12 ms MINIMUM AT FULL LOAD & 90 VAC INPUT VOLTAGE
- DIELECTRIC WITHSTAND: INPUT / OUTPUT 1500 VAC FOR 1 MINUTE
INPUT TO FRAME GROUND 1500 VAC FOR 1 MINUTE
- EFFICIENCY: 60% TYPICAL, AT FULL LOAD
- POWER GOOD SIGNAL: ON DELAY 100 ms TO 500 ms, OFF DELAY 1 ms
- OVER LOAD PROTECTION: 110 ~ 160% MAX.
OVER VOLTAGE PROTECTION:
+5V → 5.7V ~ 6.5V, 12V → 13.3 ~ 14.3V
- OVER CURRENT PROTECTION : 5V, 12V, 3.3V 130% +/- 20% AT FULL LOAD
-5V, -12V SHORT CIRCUIT
- EMI NOISE FILTER: FCC CLASS B, CISPR22 CLASS B
- SAFETY: UL 1950, CSA 22.2 NO/ 950, TÜV IEC 950
- REMOTE ON / OFF CONTROL
- FAULTY ALARM METHODS : LED, BUZZER, TTL SIGNAL
- HOT-SWAPPABLE / HOT-PLUGGABLE REDUNDANCY FUNCTION
- REMOTE SENSING DESIGN
- MEET IEC-1000-3-2 CLASS D (ACTIVE PFC)
- DIMENSION: 86(H) X 150(W) X 175 (D) mm
- COOLING : ONE 80 mm DC FAN

REVISIONS		日期 DATE
版次 REV.	記號 DESCRIPTION	
A2	修正文字說明	86/12/01
A3	修正尺寸標示位置	98/07/23



NOTE: 1.THE BRACKETS CAN BE USED SUBJECT TO USER'S CHOICE.
 2.IF POWER SUPPLY WILL BE MOUNTED FROM INSIDE OF SYSTEM CHASSIS, PLEASE CHOOSE OPTION A.(THREADED)
 3.IF POWER SUPPLY WILL BE MOUNTED FROM OUTSIDE OF SYSTEM CHASSIS. PLEASE CHOOSE OPTION B.(THROUGH)
 4.THIS DRAWING IS SUITABLE FOR THE SYSTEM CHASSIS WHICH IS NO CONSTRAINT OF THE DEPTH.




容許公差: TOLERANCES:	.XXX ±.025 .XX ±.100 .X ±.250
----------------------	-------------------------------------

材料規格: MATERIAL:	
核准者: APPROVE BY:	日期: DATE:

投影法: PROJECTION:	第三角法
---------------------	------

審核者: CHECK BY:	日期: DATE:
繪圖者: DRAW BY:	日期: DATE:

 新巨企業股份有限公司 ZIPPY TECHNOLOGY CORP. POWER DIVISION	
品名: MODEL NO:	MR2 外觀尺寸圖 (1)
料號: PART NO:	MR20MA03
圖號: DRAW NO:	MR20MA03
單位: UNITS:	mm
版次: REV. NO:	A3
規格: SPEC.:	A2
編號: SHEET:	OF